

1	Strut Channels
2	Hardware
3	Fittings & Accessories
4	Clamps
5	Inserts & End Caps
6	Slotted Angle & Pipe Supports
7	Engineering Data
8	Cross Reference Chart
9	Price List
10	Index



G-STRUT®
4100 13th Street SW
Canton, Ohio 44710
1-866-997-8788
Fax 330-477-0626
www.gstrut.com

Notes

G-STRUT

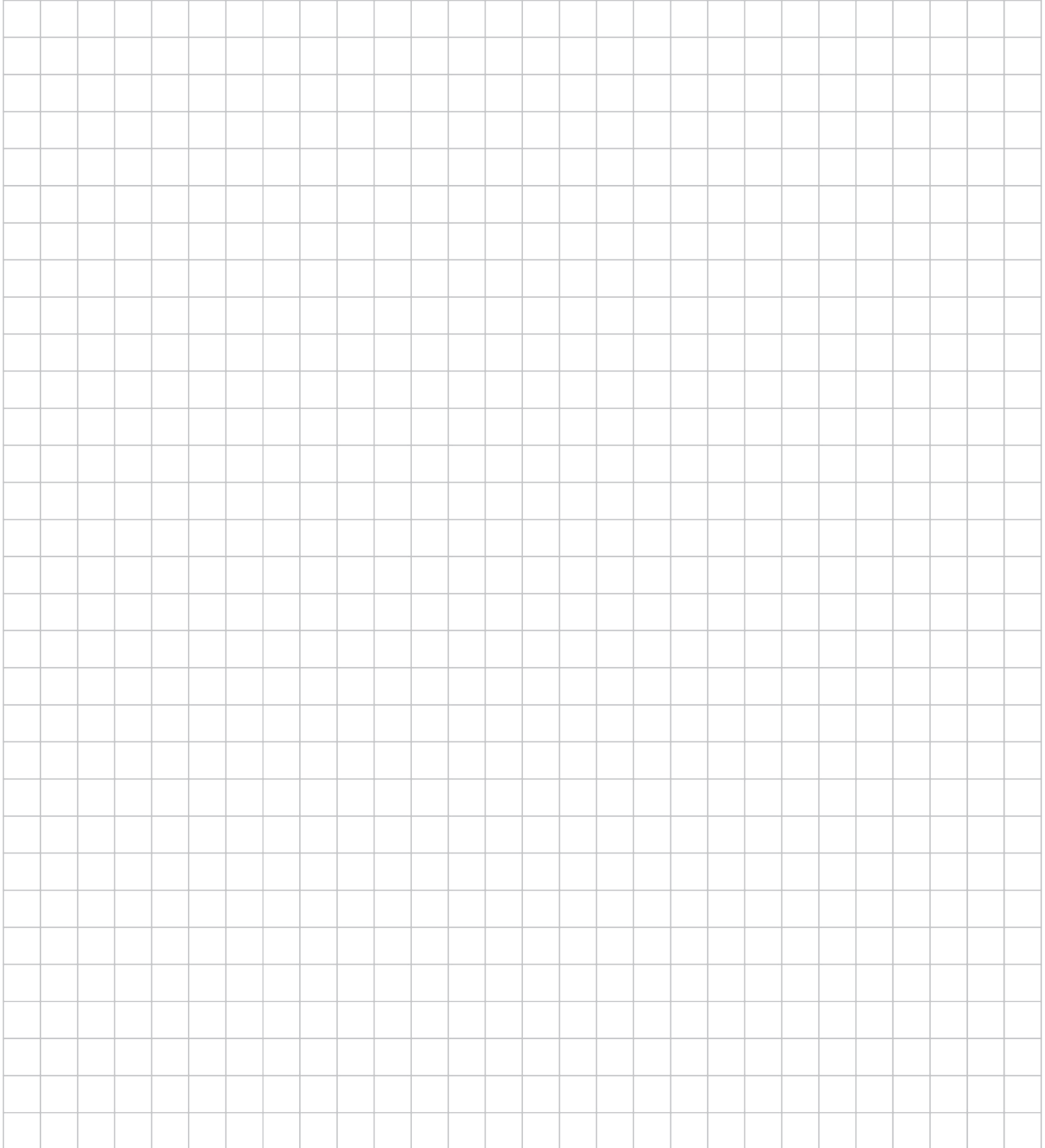
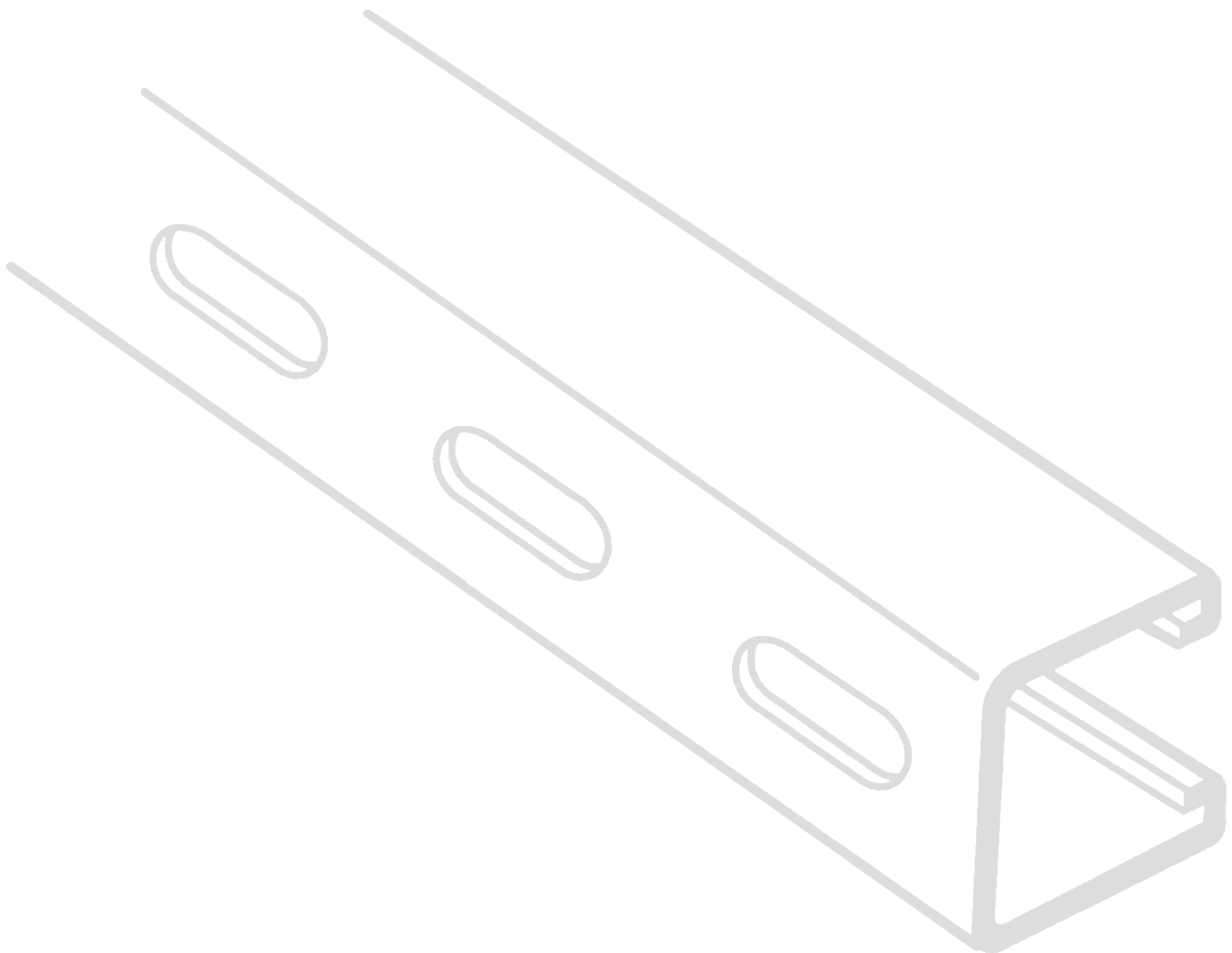


Table of Contents

Section i – Introduction	
Company Information	4
Finishes	5
Profile Styles	6
Ordering Information	7
Terms & Conditions	8
Section 1 – Channels	
Combinations	11
Complete Strut Channel Product Listing	12
Section 2 – Hardware	
Channel Nuts	22
Miscellaneous Hardware	24
Threaded Rod	25
Section 3 – Fittings & Accessories	
Flat Plate Fittings	28
Angle Fittings	32
Wing Fittings	40
Z Angle Fittings	44
Splice Channel Fittings	45
U Fittings	46
Clevis Fittings	47
Hangers & Miscellaneous Fittings	48
Pipe Roller & Trolley Hardware	49
Post Bases	50
Beam Clamps	52
U-Bolts & U-Bolt Beam Clamps	55
Bracket Fittings	56
Shelf Brackets	59
Brace Fittings	61
Section 4 – Clamps	
Conduit Clamps	64
Cushion Clamps	66
Pipe Clamps	68
Section 5 – Concrete Inserts & End Caps	
69	
Section 6 – Slotted Angle & Pipe Support Systems	
73	
Section 7 – Specifications & Engineering Data	
77	
Section 8 – Cross Reference Chart	
115	
Section 9 – Price List	
177	
Section 10 – Index	
189	

G-STRUT® Mission Statement

- Be the Strut & Hanger Industry Leader
- Be our Customer's Supplier of Choice
- Provide World-Class Service & Support
- Continuous Improvement
- Best Quality/Superior Service/Best Possible Price



Finishes

Available coatings/material types for G-STRUT® channel and accessories.

Pre-Galvanizing:

A zinc coating is applied by hot-dipping the steel coil on Gregory's specialty continuous galvanizing line. The channel is roll-formed, cut and/or punched as specified in conformance to ASTM 1011 for hot-rolled steel and ASTM 653 for hot-dipped pre-galvanizing, with a G-90 coating (0.90 ounces of zinc per square foot of steel).

Hot-Dipped Galvanized:

The material is zinc coated after fabrication providing an extra heavy total product protection on all surfaces. The channel is pretreated, pickled, and then dipped into tanks of molten zinc, creating an electrolyzed bond. HDG provides superior corrosion resistance for highly corrosive exterior applications as compared to pre-galvanized material. G-STRUT® hot-dipped galvanized is in conformance with ASTM A-123 specification.

Galvannealed/WIZcoat®:

A zinc coating is applied by pre-galvanizing the steel coil. The coil then passes through an additional heat induction process, creating a matted gray finish with an alloy coating that enhances paintability. Galvannealed G-STRUT® is easily painted post-installation without costly pre-treatment or priming.

Powder Coat or Electro Deposition Coating (Green):

Powder coating electrostatically applies a uniform dry polyester powder to the metal surface. Electro-deposition coating, or E-Coat, uses electricity to deposit a smooth, thin, uniform layer of epoxy resin coating on the surface of a metal part. Both methods utilize an "oven-baked" durable painted finish. G-STRUT® is also available in custom colors.

Electro-galvanized:

Electro-galvanized, or "zinc plated," combines the steel and .5 mils of zinc that form a bond by an electrolysis process. Electro-galvanizing is most commonly applied to G-STRUT® small fittings and hardware.

Aluminum:

G-STRUT® channel is available in extruded Aluminum Alloy suitable for a variety of applications.

Black/Plain:

A plain finish is pickled, hot-rolled carbon steel with a light oil finish. There is no protection against red rust.

Yellow Zinc Dichromate (Gold):

The pickled and oiled fabricated part is immersed in an Electro-zinc plated bath and sealed with a yellow zinc dichromate creating a protective, iridescent yellow finish.

PVC Coated:

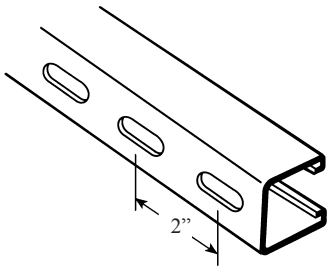
A polyvinyl chloride (PVC) plastic coating is bonded to the channel or accessory by immersing the part in fluid PVC tanks. PVC can be applied over galvanized or plain steel.

Stainless:

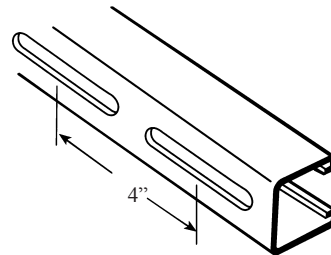
G-STRUT® stainless steel channel is supplied in standard 304 Grade. Grade 316 is also available upon request.

G-STRUT® Profile Styles

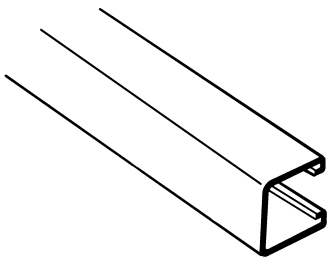
G-STRUT® can be ordered in six basic styles: solid, holes, oval slots, long slots, knock out, and back to back. The perforated styles are denoted in the catalog numbers as 'H,' 'OS,' 'LS,' 'KO,' and 'A.' Catalog numbers without these suffixes are solid. Please note hole dimensions on each drawing below. Centerline dimensions are important when ordering G-STRUT® cut to length.



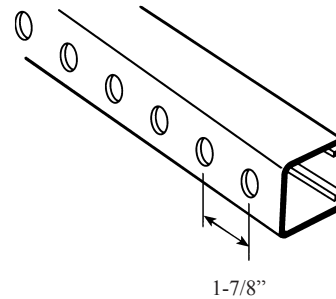
Oval Slot = **OS**
(9/16" X 1-1/8" - 2" On Center)



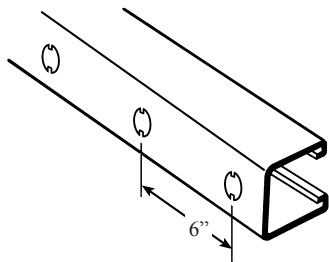
Long Slot = **LS**
(13/32" X 3" - 4" On Center)



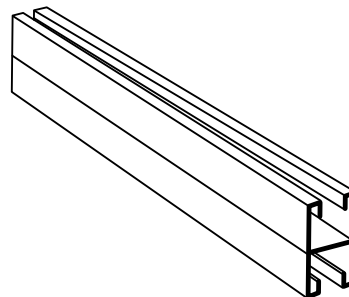
Solid
(No Perforation)



Hole = **H**
(9/16" Diameter - 1-7/8" On Center)



Knock Out = **KO**
(7/8" Diameter - 6" On Center)



Back to Back = **A**
(Spot Welded, Avail. with Perforation)

Understanding Strut Channel Product Codes

	<i>SIZE</i>	<i>HOLE/PERF</i>	<i>LENGTH</i>	<i>FINISH</i>	
*	G	582	OS	1 (10')	Leave Blank for P.G.
		584	LS	2 (20')	POP
		132	H		YZ
		134	KO		HDG
		712	A		PVC
		812	Leave Blank for Solid		SS
		102			AL
		382			
		782			

*Most commonly ordered channel
G582OS1 (1-5/8" x 1-5/8", 12G, Oval Slot, 10', Pre-Galv.)

GREGORY INDUSTRIES TERMS AND CONDITIONS OF SALE

1. These terms and conditions ("TCA") shall, along with the quantities and price reflected in any material quote or order ("Quote") or ("Order"), constitute the complete understanding between Gregory Industries, Inc. ("Gregory") and Purchaser and shall supersede any and all prior terms and conditions, negotiations or other written and oral agreements. Unless specifically noted otherwise, in the event of any ambiguity between this TCA and any Order or Quote, the TCA shall govern.
2. This TCA shall be deemed accepted and agreed upon in full upon the either the written acceptance of the TCA, the receipt and acceptance of any goods delivered pursuant to the TCA or the payment for any goods shipped under the TCA whichever is the first to occur.
3. Gregory hereby excludes, rejects and disavows any and all non-conforming or differing terms, conditions or qualifications contained within any Purchaser order, quote or any other form of confirmatory memorandum, regardless of when or in what order such non-conforming or differing terms were delivered or offered to Gregory.
4. Each and every term set forth herein shall be deemed material and germane to the transaction. This TCA and any Order or Quote may not be modified by Purchaser in any respect and may only be modified by a writing signed by Gregory This TCA and any Quote or Order shall not be subject to either oral modification or modification by conduct.
5. All payments are due within 30 days of the date of invoice ("Net 30") unless an extended term is agreed upon in a writing signed by a Gregory authorized representative. All payments beyond Net 30 shall be subject to compounding interest charges of .75%/month. Gregory reserves the right to suspend all performance if payment is later than Net 30 and also reserves the right to accept late payments at its sole discretion. No acceptance of any payment later than Net 30 shall be deemed to waive any right or future rights that Gregory may otherwise have to cancel or suspend its future performance.
6. Any Quote shall expire and be deemed revoked 30 calendar days after delivery of the Quote, unless otherwise specified, if there is no act of acceptance as such is defined in paragraph 2 herein. Delivery shall be deemed made upon the transmission by Gregory, by any means, of a Quote.
7. Any Quote which is delivered to Gregory and accepted by Gregory may only be changed or altered with the express written consent of Gregory.
8. All prices quoted herein are subject to change at the sole discretion of Gregory based upon the prevailing steel and related supplies markets. Gregory shall provide purchaser three (3) business days' written notice of any such price change.
9. This agreement shall be deemed made in Stark County, Ohio and any dispute herein shall be governed by the laws of the state of Ohio and the venue for any action or proceeding arising in any respect between Gregory and Purchaser shall be in either the state or federal court situated in Stark County, Ohio. Should any portion of this paragraph be deemed unenforceable then only such portion deemed unenforceable shall be struck.
10. In the event that Gregory has to employ attorneys to either enforce its rights, defend its rights or to seek payment or any other remedy available at law or equity, then purchaser agrees to pay for all attorneys' fees and costs expended by Gregory in any such action regardless of the outcome.
11. This TCA and the underlying materials quote shall be subject to termination at the convenience of Gregory without any further obligation whatsoever on the part of Gregory
12. In the event of any breach or allegation of breach on the part of Gregory, the only damages for which Gregory may be held responsible shall be the cost of any cover (as defined by the Uniform Commercial Code) for a period of thirty (30) calendar days from the alleged date of breach. Gregory hereby disclaims and purchaser waives any and all other damages whether arising under contract, tort or statute including but not limited to damages arising from alleged delay, non-delivery, lost profits, lost commercial expectancy, reputation or any other type or theory of damages.
13. Gregory reserves the right, at any point in time to request information concerning bonding, information related to mechanics' lien rights, or information related to the financial strength of purchaser. Such information shall, if requested by Gregory, shall be provided by purchaser within three (3) business days of any request. Failure to provide such information shall constitute a material breach.
14. Upon any act of breach, Gregory shall have the right to repossess product delivered, sue for all amounts due including attorneys fees as provided herein, suspend any further performance and or cancel any and all existing agreements without any further obligation by Gregory.
15. Gregory agrees to deliver the agreed product within the time specified in the Quote or Order or a soon as is commercially reasonable. Unless otherwise specifically noted, all deliveries are F.O.B. at Gregory loading docks. If shipped freight prepaid, the charge for freight will be added to the invoice. Risk of loss or damage shall be borne by purchaser and claims made directly with carrier.
- 16. Gregory hereby disclaims any implied or express warranty or merchantability or fitness for an intended or any particular purpose. Gregory represents that the product shall reasonably conform to applicable federal and state specifications and Gregory will provide necessary material test reports representing such.**
17. Any and all claims for damaged, defective, nonconforming material or claims of shortages shall be made in writing to Gregory within 24 hours of delivery to Purchaser or such claims are deemed to be affirmatively waived.
18. Should any term or condition set forth herein be deemed by a court of competent jurisdiction to be unenforceable, then all other terms shall survive such ruling and shall be deemed to govern the parties' relationship.

SECTION 1

G-STRUT® Channels

General:

G-STRUT® channels are continuous cold-roll-formed steel profiles, produced in either solid or perforated back sections.

Lengths:

Standard lengths are 10' and 20' p/m 1/8". Custom lengths are available in virtually all sizes - shear cut on the mill. Consult factory for details.

Finishes:

G-STRUT® is available in 10 finishes/materials covering the full spectrum of metal framing requirements. (see section i)

ASTM References:

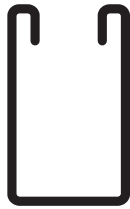
G-STRUT® conforms to ASTM 1011 for hot rolled steel and ASTM 653 for hot dip pre-galvanized steel, and ASTM 123 for Hot Dipped Batch Galvanized.

Loading Data:

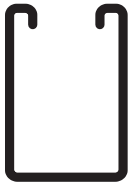
G-STRUT® conforms to industry standards for structural metal-formed, metal framing strut steel products. (see section 7)

G-STRUT® Channel Sizes

Pages 10 - 20



G-812 1-5/8" x 3-1/4" 12 g..... Page 12



G-712 1-5/8" x 2-7/16" 12 g..... Page 13



G-582 1-5/8" x 1-5/8" 12 g..... Page 14



G-584 1-5/8" x 1-5/8" 14 g..... Page 15



G-382 1-5/8" x 1-3/8" 12 g..... Page 16



G-102 1-5/8" x 1" 12 g..... Page 17



G-782 1-5/8" x 7/8" 12 g..... Page 18



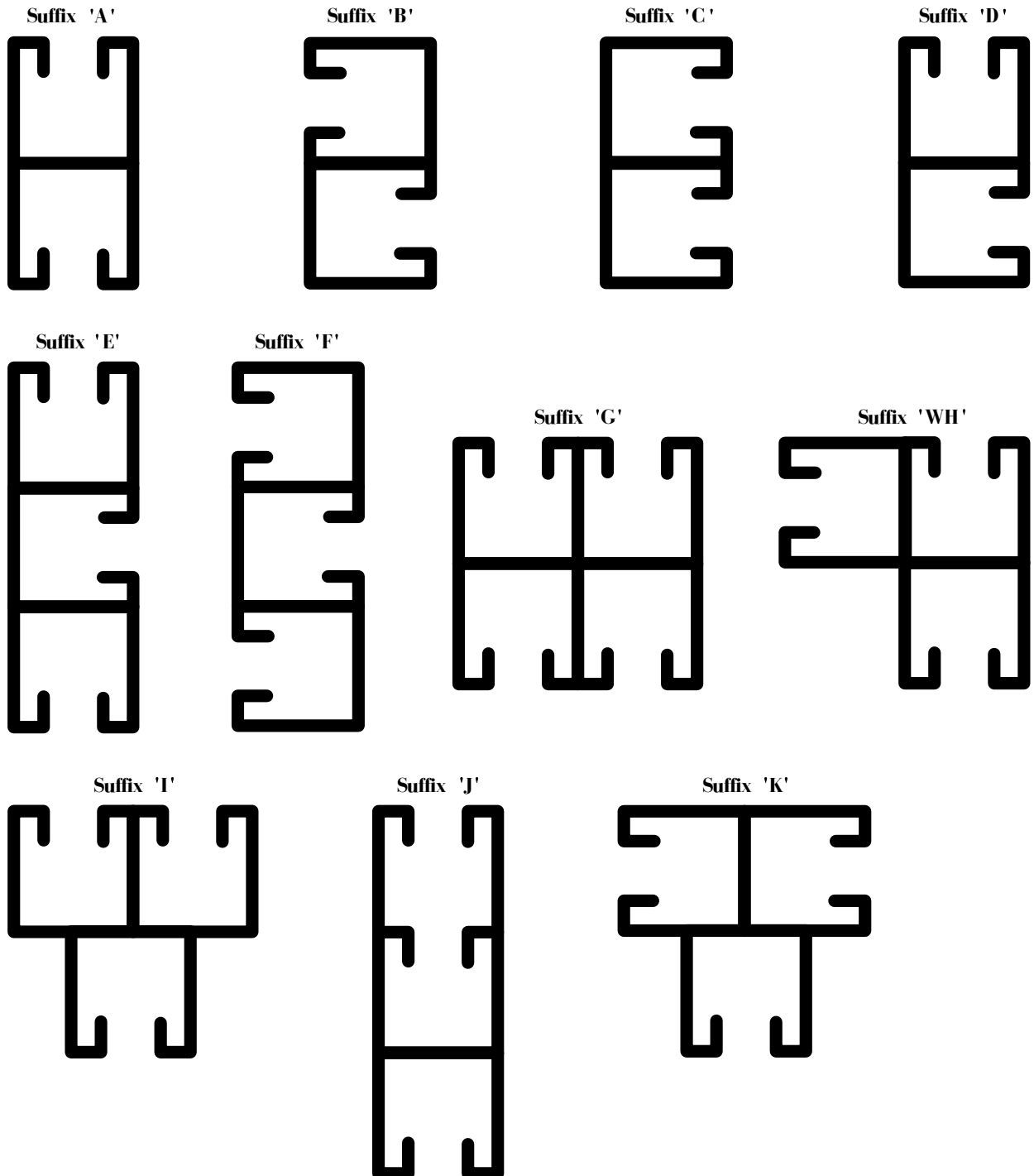
G-132 1-5/8" x 13/16" 12 g..... Page 19



G-134 1-5/8" x 13/16" 14 g..... Page 20

*The three most commonly ordered sizes are: 1.) G-582, 2.) G-134, and 3.) G-584

Welded Combinations: (Available in all channel sizes)



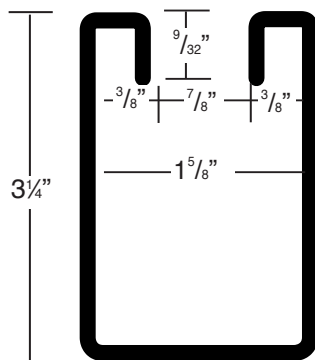
*Consult factory for special welds not illustrated.

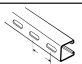
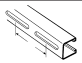
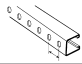
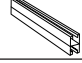

G-STRUT®

Section 1

G812

3-1/4" x 1-5/8" – 12 gauge



	G812OS [Oval-Slot] 9/16" x 1-1/8" – 2" ON CTR
	G812LS [Long-Slot] 13/32" x 3" – 4" ON CTR
	G812H [Holes] 9/16" DIAM. – 1-7/8" ON CTR
	G812A [Back-to-Back] WELDED
	G812KO [Knock-out] 7/8" DIAM. – 6" ON CTR

Pre-Galvanized Bundle Quantity – 300 ft. • Wt./100 ft. – 313 lbs.

Catalog No.	Description	
G8121	Solid, 10 ft.	3-1/4" x 1-5/8", pre-galv., 12 g
G8122	Solid, 20 ft.	3-1/4" x 1-5/8", pre-galv., 12 g
G812H1	With 9/16" Hole, 10 ft.	3-1/4" x 1-5/8", pre-galv., 12 g
G812H2	With 9/16" Hole, 20 ft.	3-1/4" x 1-5/8", pre-galv., 12 g
G812OS1	With 9/16" x 1-1/8" Slot, 10 ft.	3-1/4" x 1-5/8", pre-galv., 12 g
G812OS2	With 9/16" x 1-1/8" Slot, 20 ft.	3-1/4" x 1-5/8", pre-galv., 12 g
G812LS1	With 13/32" x 3" Slot, 10 ft.	3-1/4" x 1-5/8", pre-galv., 12 g
G812LS2	With 13/32" x 3" Slot, 20 ft.	3-1/4" x 1-5/8", pre-galv., 12 g
G812A1*	Back-to-Back Welded, 10 ft. (Wt./100 ft.=626 lbs.)	6-1/2" x 1-5/8", pre-galv., 12 g
G812A2*	Back-to-Back Welded, 20 ft. (Wt./100 ft.=626 lbs.)	6-1/2" x 1-5/8", pre-galv., 12 g
G812KO1	With 7/8" Knock-out, 10 ft.	3-1/4" x 1-5/8", pre-galv., 12 g
G812KO2	With 7/8" Knock-out, 20 ft.	3-1/4" x 1-5/8", pre-galv., 12 g

Green

Bundle Quantity – 300 ft. • Wt./100 ft. – 313 lbs.

Catalog No.	Description	
G8121 POP	Solid, 10 ft.	3-1/4" x 1-5/8", green, 12 g
G8122 POP	Solid, 20 ft.	3-1/4" x 1-5/8", green, 12 g
G812H1 POP	With 9/16" Hole, 10 ft.	3-1/4" x 1-5/8", green, 12 g
G812H2 POP	With 9/16" Hole, 20 ft.	3-1/4" x 1-5/8", green, 12 g
G812OS1 POP	With 9/16" x 1-1/8" Slot, 10 ft.	3-1/4" x 1-5/8", green, 12 g
G812OS2 POP	With 9/16" x 1-1/8" Slot, 20 ft.	3-1/4" x 1-5/8", green, 12 g
G812LS1 POP	With 13/32" x 3" Slot, 10 ft.	3-1/4" x 1-5/8", green, 12 g
G812LS2 POP	With 13/32" x 3" Slot, 20 ft.	3-1/4" x 1-5/8", green, 12 g
G812A1 POP*	Back-to-Back Welded, 10 ft. (Wt./100 ft.=626 lbs.)	6-1/2" x 1-5/8", green, 12 g
G812A2 POP*	Back-to-Back Welded, 20 ft. (Wt./100 ft.=626 lbs.)	6-1/2" x 1-5/8", green, 12 g
G812KO1 POP	With 7/8" Knock-out, 10 ft.	3-1/4" x 1-5/8", green, 12 g
G812KO2 POP	With 7/8" Knock-out, 20 ft.	3-1/4" x 1-5/8", green, 12 g

Special Finishes/Types (Consult factory for bundle quantities & weights)

Catalog No.*	Description	
G812YZ	Gregory Gold, Yellow Zinc Dichromate	3-1/4" x 1-5/8", 12 g
G812PO	Plain, Pickled & Oiled	3-1/4" x 1-5/8", 12 g
G812HDG	Hot-dipped Galvanized	3-1/4" x 1-5/8", 12 g
G812PVC	PVC Coated (Galvanized or Black)	3-1/4" x 1-5/8", 12 g

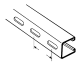
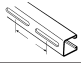
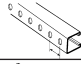
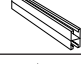

* Designate OS, LS, or H if perforation desired

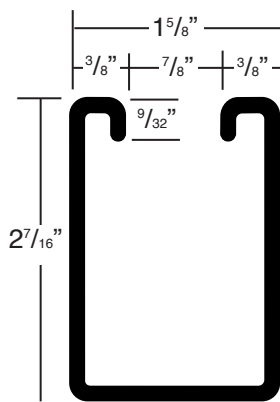
Consult factory for special lengths, custom colors, and special finishes

G-STRUT®

Section 1

G712**2-7/16" x 1-5/8" – 12 gauge**

	G712OS [Oval-Slot] 9/16" x 1-1/8" – 2" ON CTR
	G712LS [Long-Slot] 13/32" x 3" – 4" ON CTR
	G712H [Holes] 9/16" DIAM. – 1-7/8" ON CTR
	G712A [Back-to-Back] WELDED
	G712KO [Knock-out] 7/8" DIAM. – 6" ON CTR

**Pre-Galvanized** Bundle Quantity – 400 ft. • Wt./100 ft. – 244 lbs.

Catalog No.	Description	
G7121	Solid, 10 ft.	2-7/16" x 1-5/8", pre-galv., 12 g
G7122	Solid, 20 ft.	2-7/16" x 1-5/8", pre-galv., 12 g
G712H1	With 9/16" Hole, 10 ft.	2-7/16" x 1-5/8", pre-galv., 12 g
G712H2	With 9/16" Hole, 20 ft.	2-7/16" x 1-5/8", pre-galv., 12 g
G712OS1	With 9/16" x 1-1/8" Slot, 10 ft.	2-7/16" x 1-5/8", pre-galv., 12 g
G712OS2	With 9/16" x 1-1/8" Slot, 20 ft.	2-7/16" x 1-5/8", pre-galv., 12 g
G712LS1	With 13/32" x 3" Slot, 10 ft.	2-7/16" x 1-5/8", pre-galv., 12 g
G712LS2	With 13/32" x 3" Slot, 20 ft.	2-7/16" x 1-5/8", pre-galv., 12 g
G712A1*	Back-to-Back Welded, 10 ft. (Wt./100 ft.=488 lbs.)	4-7/8" x 1-5/8", pre-galv., 12 g
G712A2*	Back-to-Back Welded, 20 ft. (Wt./100 ft.=488 lbs.)	4-7/8" x 1-5/8", pre-galv., 12 g
G712KO1	With 7/8" Knock-out, 10 ft.	2-7/16" x 1-5/8", pre-galv., 12 g
G712KO2	With 7/8" Knock-out, 20 ft.	2-7/16" x 1-5/8", pre-galv., 12 g

Green

Bundle Quantity – 400 ft. • Wt./100 ft. – 244 lbs.

Catalog No.	Description	
G7121 POP	Solid, 10 ft.	2-7/16" x 1-5/8", green, 12 g
G7122 POP	Solid, 20 ft.	2-7/16" x 1-5/8", green, 12 g
G712H1 POP	With 9/16" Hole, 10 ft.	2-7/16" x 1-5/8", green, 12 g
G712H2 POP	With 9/16" Hole, 20 ft.	2-7/16" x 1-5/8", green, 12 g
G712OS1 POP	With 9/16" x 1-1/8" Slot, 10 ft.	2-7/16" x 1-5/8", green, 12 g
G712OS2 POP	With 9/16" x 1-1/8" Slot, 20 ft.	2-7/16" x 1-5/8", green, 12 g
G712LS1 POP	With 13/32" x 3" Slot, 10 ft.	2-7/16" x 1-5/8", green, 12 g
G712LS2 POP	With 13/32" x 3" Slot, 20 ft.	2-7/16" x 1-5/8", green, 12 g
G712A1 POP*	Back-to-Back Welded, 10 ft. (Wt./100 ft.=488 lbs.)	4-7/8" x 1-5/8", green, 12 g
G712A2 POP*	Back-to-Back Welded, 20 ft. (Wt./100 ft.=488 lbs.)	4-7/8" x 1-5/8", green, 12 g
G712KO1 POP	With 7/8" Knock-out, 10 ft.	2-7/16" x 1-5/8", green, 12 g
G712KO2 POP	With 7/8" Knock-out, 20 ft.	2-7/16" x 1-5/8", green, 12 g

Special Finishes/Types (Consult factory for bundle quantities & weights)

Catalog No.*	Description	
G712YZ	Gregory Gold, Yellow Zinc Dichromate	2-7/16" x 1-5/8", 12 g
G712GN	Galvannealed WIZcoat™	2-7/16" x 1-5/8", 12 g
G712PO	Plain, Pickled & Oiled	2-7/16" x 1-5/8", 12 g
G712HDG	Hot-dipped Galvanized	2-7/16" x 1-5/8", 12 g
G712PVC	PVC Coated (Galvanized or Black)	2-7/16" x 1-5/8", 12 g

* Designate OS, LS, or H if perforation desired

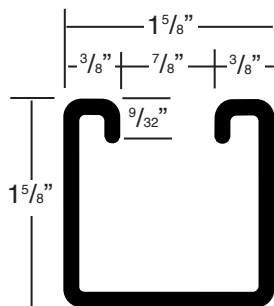
Consult factory for special lengths, custom colors, and special finishes


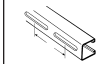


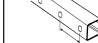
G-STRUT®

Section 1

G582

1-5/8" x 1-5/8" – 12 gauge



	G582OS [Oval-Slot]
	9/16" x 1-1/8" – 2" ON CTR
	G582LS [Long-Slot]
	13/32" x 3" – 4" ON CTR
	G582H [Holes]
	9/16" DIAM. – 1-7/8" ON CTR
	G582A [Back-to-Back]
	WELDED
	G582KO [Knock-Out]
	7/8" DIAM. – 6" ON CTR

Pre-Galvanized Bundle Quantity – 500 ft. • Wt./100 ft. – 180 lbs.

Catalog No.	Description	
G5821	Solid, 10 ft.	1-5/8" x 1-5/8", pre-galv., 12 g
G5822	Solid, 20 ft.	1-5/8" x 1-5/8", pre-galv., 12 g
G582H1	With 9/16" Hole, 10 ft.	1-5/8" x 1-5/8", pre-galv., 12 g
G582H2	With 9/16" Hole, 20 ft.	1-5/8" x 1-5/8", pre-galv., 12 g
G582OS1	With 9/16" x 1-1/8" Slot, 10 ft.	1-5/8" x 1-5/8", pre-galv., 12 g
G582OS2	With 9/16" x 1-1/8" Slot, 20 ft.	1-5/8" x 1-5/8", pre-galv., 12 g
G582LS1	With 13/32" x 3" Slot, 10 ft.	1-5/8" x 1-5/8", pre-galv., 12 g
G582LS2	With 13/32" x 3" Slot, 20 ft.	1-5/8" x 1-5/8", pre-galv., 12 g
G582A1*	Back-to-Back Welded, 10 ft. (Wt./100 ft.=360 lbs.)	3-1/4" x 1-5/8", pre-galv., 12 g
G582A2*	Back-to-Back Welded, 20 ft. (Wt./100 ft.=360 lbs.)	3-1/4" x 1-5/8", pre-galv., 12 g
G582KO1	With 7/8" Knock-out, 10 ft.	1-5/8" x 1-5/8", pre-galv., 12 g
G582KO2	With 7/8" Knock-out, 20 ft.	1-5/8" x 1-5/8", pre-galv., 12 g

Green

Bundle Quantity – 500 ft. • Wt./100 ft. – 180 lbs.

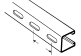
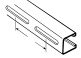
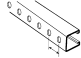
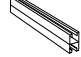

Catalog No.	Description	
G5821 POP	Solid, 10 ft.	1-5/8" x 1-5/8", green, 12 g
G5822 POP	Solid, 20 ft.	1-5/8" x 1-5/8", green, 12 g
G582H1 POP	With 9/16" Hole, 10 ft.	1-5/8" x 1-5/8", green, 12 g
G582H2 POP	With 9/16" Hole, 20 ft.	1-5/8" x 1-5/8", green, 12 g
G582OS1 POP	With 9/16" x 1-1/8" Slot, 10 ft.	1-5/8" x 1-5/8", green, 12 g
G582OS2 POP	With 9/16" x 1-1/8" Slot, 20 ft.	1-5/8" x 1-5/8", green, 12 g
G582LS1 POP	With 13/32" x 3" Slot, 10 ft.	1-5/8" x 1-5/8", green, 12 g
G582LS2 POP	With 13/32" x 3" Slot, 20 ft.	1-5/8" x 1-5/8", green, 12 g
G582A1* POP	Back-to-Back Welded, 10 ft. (Wt./100 ft.=360 lbs.)	3-1/4" x 1-5/8", green, 12 g
G582A2* POP	Back-to-Back Welded, 20 ft. (Wt./100 ft.=360 lbs.)	3-1/4" x 1-5/8", green, 12 g
G582KO1 POP	With 7/8" Knock-out, 10 ft.	1-5/8" x 1-5/8", green, 12 g
G582KO2 POP	With 7/8" Knock-out, 20 ft.	1-5/8" x 1-5/8", green, 12 g

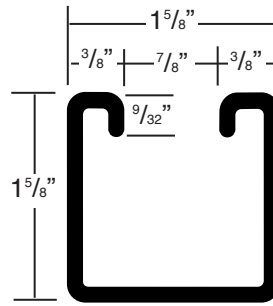
Special Finishes/Types (Consult factory for bundle quantities & weights)

Catalog No.*	Description	
G582YZ	Gregory Gold, Yellow Zinc Dichromate	1-5/8" x 1-5/8", 12 g
G582AL	Aluminum Extruded	1-5/8" x 1-5/8", 12 g
G582GN	Galvannealed (WIZcoat™)	1-5/8" x 1-5/8", 12 g
G582PO	Plain, Pickled & Oiled	1-5/8" x 1-5/8", 12 g
G582HDG	Hot-dipped Galvanized	1-5/8" x 1-5/8", 12 g
G582SS	Stainless Steel (Grade 304 or 316)	1-5/8" x 1-5/8", 12 g
G582PVC	PVC Coated (Galvanized or Black)	1-5/8" x 1-5/8", 12 g

* Designate OS, LS, or H if perforation desired

Consult factory for special lengths, custom colors, and special finishes

	G584OS [Oval-Slot] 9/16" x 1-1/8" – 2" ON CTR
	G584LS [Long-Slot] 13/32" x 3" – 4" ON CTR
	G584H [Holes] 9/16" DIAM. – 1-7/8" ON CTR
	G584A [Back-to-Back] WELDED
	G584KO [Knock-Out] 7/8" DIAM. – 6" ON CTR

**G584****1-5/8" x 1-5/8" – 14 gauge****Pre-Galvanized Bundle Quantity – 500 ft. • Wt./100 ft. – 140 lbs.**

Catalog No.	Description	
G5841	Solid, 10 ft.	1-5/8" x 1-5/8", pre-galv., 14 g
G5842	Solid, 20 ft.	1-5/8" x 1-5/8", pre-galv., 14 g
G584H1	With 9/16" Hole, 10 ft.	1-5/8" x 1-5/8", pre-galv., 14 g
G584H2	With 9/16" Hole, 20 ft.	1-5/8" x 1-5/8", pre-galv., 14 g
G584OS1	With 9/16" x 1-1/8" Slot, 10 ft.	1-5/8" x 1-5/8", pre-galv., 14 g
G584OS2	With 9/16" x 1-1/8" Slot, 20 ft.	1-5/8" x 1-5/8", pre-galv., 14 g
G584LS1	With 13/32" x 3" Slot, 10 ft.	1-5/8" x 1-5/8", pre-galv., 14 g
G584LS2	With 13/32" x 3" Slot, 20 ft.	1-5/8" x 1-5/8", pre-galv., 14 g
G584A1*	Back-to-Back Welded, 10 ft. (Wt./100 ft.=280 lbs.)	3-1/4" x 1-5/8", pre-galv., 14 g
G584A2*	Back-to-Back Welded, 20 ft. (Wt./100 ft.=280 lbs.)	3-1/4" x 1-5/8", pre-galv., 14 g
G584KO1	With 7/8" Knock-out, 10 ft.	1-5/8" x 1-5/8", pre-galv., 14 g
G584KO2	With 7/8" Knock-out, 20 ft.	1-5/8" x 1-5/8", pre-galv., 14 g

Green**Bundle Quantity – 500 ft. • Wt./100 ft. – 140 lbs.**

Catalog No.	Description	
G5841 POP	Solid, 10 ft.	1-5/8" x 1-5/8", green, 14 g
G5842 POP	Solid, 20 ft.	1-5/8" x 1-5/8", green, 14 g
G584H1 POP	With 9/16" Hole, 10 ft.	1-5/8" x 1-5/8", green, 14 g
G584H2 POP	With 9/16" Hole, 20 ft.	1-5/8" x 1-5/8", green, 14 g
G584OS1 POP	With 9/16" x 1-1/8" Slot, 10 ft.	1-5/8" x 1-5/8", green, 14 g
G584OS2 POP	With 9/16" x 1-1/8" Slot, 20 ft.	1-5/8" x 1-5/8", green, 14 g
G584LS1 POP	With 13/32" x 3" Slot, 10 ft.	1-5/8" x 1-5/8", green, 14 g
G584LS2 POP	With 13/32" x 3" Slot, 20 ft.	1-5/8" x 1-5/8", green, 14 g
G-584-A1 POP*	Back-to-Back Welded, 10 ft. (Wt./100 ft.=280 lbs.)	3-1/4" x 1-5/8", green, 14 g
G584A2 POP*	Back-to-Back Welded, 20 ft. (Wt./100 ft.=280 lbs.)	3-1/4" x 1-5/8", green, 14 g
G584KO1 POP	With 7/8" Knock-out, 10 ft.	1-5/8" x 1-5/8", green, 14 g
G584KO2 POP	With 7/8" Knock-out, 20 ft.	1-5/8" x 1-5/8", green, 14 g

Special Finishes/Types (Consult factory for bundle quantities & weights)

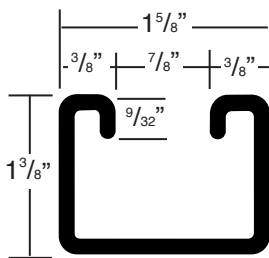
Catalog No.*	Description	
G584YZ	Gregory Gold, Yellow Zinc Dichromate	1-5/8" x 1-5/8", 14 g
G584GN	Galvannealed (WIZcoat™)	1-5/8" x 1-5/8", 14 g
G584PO	Plain, Pickled & Oiled	1-5/8" x 1-5/8", 14 g
G584HDG	Hot-dipped Galvanized	1-5/8" x 1-5/8", 14 g
G584SS	Stainless Steel (Grade 304 or 316)	1-5/8" x 1-5/8", 14 g
G584PVC	PVC Coated (Galvanized or Black)	1-5/8" x 1-5/8", 14 g

* Designate OS, LS, or H if perforation desired

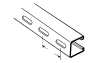
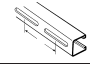
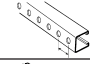


Consult factory for special lengths, custom colors, and special finishes

G-STRUT®

Section 1

G382

1-3/8" x 1-5/8" – 12 gauge

	G382OS [Oval-Slot] 9/16" x 1-1/8" – 2" ON CTR
	G382LS [Long-Slot] 13/32" x 3" – 4" ON CTR
	G382H [Holes] 9/16" DIAM. – 1-7/8" ON CTR
	G382A [Back-to-Back] WELDED
	G382KO [Knock-out] 7/8" DIAM. – 6" ON CTR

Pre-Galvanized Bundle Quantity – 500 ft. • Wt./100 ft. – 167 lbs.

Catalog No.	Description	
G3821	Solid, 10 ft.	1-3/8" x 1-5/8", pre-galv., 12 g
G3822	Solid, 20 ft.	1-3/8" x 1-5/8", pre-galv., 12 g
G382H1	With 9/16" Hole, 10 ft.	1-3/8" x 1-5/8", pre-galv., 12 g
G382H2	With 9/16" Hole, 20 ft.	1-3/8" x 1-5/8", pre-galv., 12 g
G382OS1	With 9/16" x 1-1/8" Slot, 10 ft.	1-3/8" x 1-5/8", pre-galv., 12 g
G382OS2	With 9/16" x 1-1/8" Slot, 20 ft.	1-3/8" x 1-5/8", pre-galv., 12 g
G382LS1	With 13/32" x 3" Slot, 10 ft.	1-3/8" x 1-5/8", pre-galv., 12 g
G382LS2	With 13/32" x 3" Slot, 20 ft.	1-3/8" x 1-5/8", pre-galv., 12 g
G382A1*	Back-to-Back Welded, 10 ft. (Wt./ft.=334 lbs.)	2-3/4" x 1-5/8", pre-galv., 12 g
G382A2*	Back-to-Back Welded, 20 ft. (Wt./ft.=334 lbs.)	2-3/4" x 1-5/8", pre-galv., 12 g
G382KO1	With 7/8" Knock-out, 10 ft.	1-3/8" x 1-5/8", pre-galv., 12 g
G382KO2	With 7/8" Knock-out, 20 ft.	1-3/8" x 1-5/8", pre-galv., 12 g

Green

Bundle Quantity – 500 ft. • Wt./100 ft. – 167 lbs.

Catalog No.	Description	
G3821 POP	Solid, 10 ft.	1-3/8" x 1-5/8", green, 12 g
G3822 POP	Solid, 20 ft.	1-3/8" x 1-5/8", green, 12 g
G382H1 POP	With 9/16" Hole, 10 ft.	1-3/8" x 1-5/8", green, 12 g
G382H2 POP	With 9/16" Hole, 20 ft.	1-3/8" x 1-5/8", green, 12 g
G382OS1 POP	With 9/16" x 1-1/8" Slot, 10 ft.	1-3/8" x 1-5/8", green, 12 g
G382OS2 POP	With 9/16" x 1-1/8" Slot, 20 ft.	1-3/8" x 1-5/8", green, 12 g
G382LS1 POP	With 13/32" x 3" Slot, 10 ft.	1-3/8" x 1-5/8", green, 12 g
G382LS2 POP	With 13/32" x 3" Slot, 20 ft.	1-3/8" x 1-5/8", green, 12 g
G382A1 POP*	Back-to-Back Welded, 10 ft. (Wt./100 ft.=334 lbs.)	2-3/4" x 1-5/8", green, 12 g
G382A2 POP*	Back-to-Back Welded, 20 ft. (Wt./100 ft.=334 lbs.)	2-3/4" x 1-5/8", green, 12 g
G382KO1 POP	With 7/8" Knock-out, 10 ft.	1-3/8" x 1-5/8", green, 12 g
G382KO2 POP	With 7/8" Knock-out, 20 ft.	1-3/8" x 1-5/8", green, 12 g

Special Finishes/Types (Consult factory for bundle quantities & weights)

Catalog No.*	Description	
G382YZ	Gregory Gold, Yellow Zinc Dichromate	1-3/8" x 1-5/8", 12 g
G382GN	Galvannealed (WIZcoat™)	1-3/8" x 1-5/8", 12 g
G382PO	Plain, Pickled & Oiled	1-3/8" x 1-5/8", 12 g
G382HDG	Hot-dipped Galvanized	1-3/8" x 1-5/8", 12 g
G382PVC	PVC Coated (Galvanized or Black)	1-3/8" x 1-5/8", 12 g

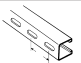
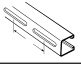
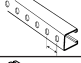
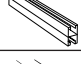

* Designate OS, LS, or H if perforation desired

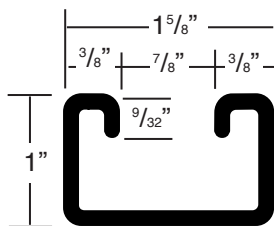
Consult factory for special lengths, custom colors, and special finishes

G-STRUT®

Section 1

G102**1" x 1-5/8" – 12 gauge**

	G102OS [Oval-Slot] 9/16" x 1-1/8" – 2" ON CTR
	G102LS [Long-Slot] 13/32" x 3" – 4" ON CTR
	G102H [Holes] 9/16" DIAM. – 1-7/8" ON CTR
	G102A [Back-to-Back] WELDED
	G102KO [Knock-out] 7/8" DIAM. – 6" ON CTR

**Pre-Galvanized** Bundle Quantity – 500 ft. • Wt./100 ft. – 141 lbs.

Catalog No. Description

G1021	Solid, 10 ft.	1" x 1-5/8", pre-galv., 12 g
G1022	Solid, 20 ft.	1" x 1-5/8", pre-galv., 12 g
G102H1	With 9/16" Hole, 10 ft.	1" x 1-5/8", pre-galv., 12 g
G102H2	With 9/16" Hole, 20 ft.	1" x 1-5/8", pre-galv., 12 g
G102OS1	With 9/16" x 1-1/8" Slot, 10 ft.	1" x 1-5/8", pre-galv., 12 g
G102OS2	With 9/16" x 1-1/8" Slot, 20 ft.	1" x 1-5/8", pre-galv., 12 g
G102LS1	With 13/32" x 3" Slot, 10 ft.	1" x 1-5/8", pre-galv., 12 g
G102LS2	With 13/32" x 3" Slot, 20 ft.	1" x 1-5/8", pre-galv., 12 g
G102A1*	Back-to-Back Welded, 10 ft. (Wt./100 ft.=282 lbs.)	2" x 1-5/8", pre-galv., 12 g
G102A2*	Back-to-Back Welded, 20 ft. (Wt./100 ft.=282 lbs.)	2" x 1-5/8", pre-galv., 12 g
G102KO1	With 7/8" Knock-out, 10 ft.	1" x 1-5/8", pre-galv., 12 g
G102KO2	With 7/8" Knock-out, 20 ft.	1" x 1-5/8", pre-galv., 12 g

Green

Bundle Quantity – 500 ft. • Wt./100 ft. – 141 lbs.

Catalog No.	Description	
G1021 POP	Solid, 10 ft.	1" x 1-5/8", green, 12 g
G1022 POP	Solid, 20 ft.	1" x 1-5/8", green, 12 g
G102H1 POP	With 9/16" Hole, 10 ft.	1" x 1-5/8", green, 12 g
G102H2 POP	With 9/16" Hole, 20 ft.	1" x 1-5/8", green, 12 g
G102OS1 POP	With 9/16" x 1-1/8" Slot, 10 ft.	1" x 1-5/8", green, 12 g
G102OS2 POP	With 9/16" x 1-1/8" Slot, 20 ft.	1" x 1-5/8", green, 12 g
G102LS1 POP	With 13/32" x 3" Slot, 10 ft.	1" x 1-5/8", green, 12 g
G102LS2 POP	With 13/32" x 3" Slot, 20 ft.	1" x 1-5/8", green, 12 g
G102A1 POP*	Back-to-Back Welded, 10 ft. (Wt./100 ft.=282 lbs.)	2" x 1-5/8", green, 12 g
G102A2 POP*	Back-to-Back Welded, 20 ft. (Wt./100 ft.=282 lbs.)	2" x 1-5/8", green, 12 g
G102KO1 POP	With 7/8" Knock-out, 10 ft.	1" x 1-5/8", green, 12 g
G102KO2 POP	With 7/8" Knock-out, 20 ft.	1" x 1-5/8", green, 12 g

Special Finishes/Types (Consult factory for bundle quantities & weights)

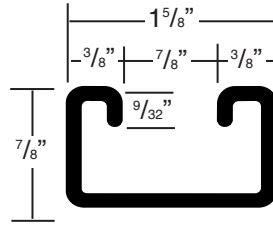
Catalog No.*	Description	
G102YZ	Gregory Gold, Yellow Zinc Dichromate	1" x 1-5/8", 12 g
G102GN	Galvannealed (WIZcoat™)	1" x 1-5/8", 12 g
G102PO	Plain, Pickled & Oiled	1" x 1-5/8", 12 g
G102HDG	Hot-dipped galvanized	1" x 1-5/8", 12 g
G102PVC	PVC coated (Galvanized or Black)	1" x 1-5/8", 12 g

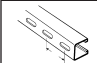
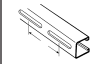
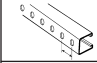
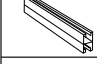

* Designate OS, LS, or H if perforation desired

Consult factory for special lengths, custom colors, and special finishes

G-STRUT®

Section 1

G782**7/8" x 1-5/8" – 12 gauge**

	G782OS [Oval-Slot] 9/16" x 1-1/8" – 2" ON CTR
	G782LS [Long-Slot] 13/32" x 3" – 4" ON CTR
	G782H [Holes] 9/16" DIAM. – 1-7/8" ON CTR
	G782A [Back-to-Back] WELDED
	G782KO [Knock-out] 7/8" DIAM. – 6" ON CTR

Pre-Galvanized Bundle Quantity – 500 ft. • Wt./100 ft. – 135 lbs.

Catalog No.	Description	
G7821	Solid, 10 ft.	7/8" x 1-5/8", pre-galv., 12 g
G7822	Solid, 20 ft.	7/8" x 1-5/8", pre-galv., 12 g
G782H1	With 9/16" Hole, 10 ft.	7/8" x 1-5/8", pre-galv., 12 g
G782H2	With 9/16" Hole, 20 ft.	7/8" x 1-5/8", pre-galv., 12 g
G782OS1	With 9/16" x 1-1/8" Slot, 10 ft.	7/8" x 1-5/8", pre-galv., 12 g
G782OS2	With 9/16" x 1-1/8" Slot, 20 ft.	7/8" x 1-5/8", pre-galv., 12 g
G782LS1	With 13/32" x 3" Slot, 10 ft.	7/8" x 1-5/8", pre-galv., 12 g
G782LS2	With 13/32" x 3" Slot, 20 ft.	7/8" x 1-5/8", pre-galv., 12 g
G782A1*	Back-to-Back Welded, 10 ft. (Wt./100 ft.=270 lbs.)	1-3/4" x 1-5/8", pre-galv., 12 g
G782A2*	Back-to-Back Welded, 20 ft. (Wt./100 ft.=270 lbs.)	1-3/4" x 1-5/8", pre-galv., 12 g
G782KO1	With 7/8" Knock-out, 10 ft.	7/8" x 1-5/8", pre-galv., 12 g
G782KO2	With 7/8" Knock-out, 20 ft.	7/8" x 1-5/8", pre-galv., 12 g

Green

Bundle Quantity – 500 ft. • Wt./100 ft. – 135 lbs.

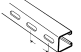

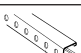
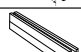

Catalog No.	Description	
G7821 POP	Solid, 10 ft.	7/8" x 1-5/8", green, 12 g
G7822 POP	Solid, 20 ft.	7/8" x 1-5/8", green, 12 g
G782H1 POP	With 9/16" Hole, 10 ft.	7/8" x 1-5/8", green, 12 g
G782H2 POP	With 9/16" Hole, 20 ft.	7/8" x 1-5/8", green, 12 g
G782OS1 POP	With 9/16" x 1-1/8" Slot, 10 ft.	7/8" x 1-5/8", green, 12 g
G782OS2 POP	With 9/16" x 1-1/8" Slot, 20 ft.	7/8" x 1-5/8", green, 12 g
G782LS1 POP	With 13/32" x 3" Slot, 10 ft.	7/8" x 1-5/8", green, 12 g
G782LS2 POP	With 13/32" x 3" Slot, 20 ft.	7/8" x 1-5/8", green, 12 g
G782A1 POP*	Back-to-Back Welded, 10 ft. (Wt./100 ft.=270 lbs.)	1-3/4" x 1-5/8", green, 12 g
G782A2 POP*	Back-to-Back Welded, 20 ft. (Wt./100 ft.=270 lbs.)	1-3/4" x 1-5/8", green, 12 g
G782KO1 POP	With 7/8" Knock-out, 10 ft.	7/8" x 1-5/8", green, 12 g
G782KO2 POP	With 7/8" Knock-out, 20 ft.	7/8" x 1-5/8", green, 12 g

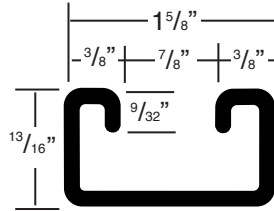
Special Finishes/Types (Consult factory for bundle quantities & weights)

Catalog No.	Description	
G782YZ	Gregory Gold, Yellow Zinc Dichromate	7/8" x 1-5/8", 12 g
G782PO	Plain, Pickled & Oiled	7/8" x 1-5/8", 12 g
G782HDG	Hot-dipped Galvanized	7/8" x 1-5/8", 12 g
G782PVC	PVC Coated (Galvanized or Black)	7/8" x 1-5/8", 12 g

* Designate OS, LS, or H if perforation desired

Consult factory for special lengths, custom colors, and special finishes

	G132OS [Oval-Slot] 9/16" x 1-1/8" – 2" ON CTR
	G132LS [Long-Slot] 13/32" x 3" – 4" ON CTR
	G132H [Holes] 9/16" DIAM. – 1-7/8" ON CTR
	G132A [Back-to-Back] WELDED
	G132KO [Knock-Out] 7/8" DIAM. – 6" ON CTR



G132

13/16" x 1-5/8" – 12 gauge

Pre-Galvanized Bundle Quantity – 500 ft. • Wt./100 ft. – 132 lbs.

Catalog No.	Description	
G1321	Solid, 10 ft.	13/16" x 1-5/8", pre-galv., 12 g
G1322	Solid, 20 ft.	13/16" x 1-5/8", pre-galv., 12 g
G132H1	With 9/16" Hole, 10 ft.	13/16" x 1-5/8", pre-galv., 12 g
G132H2	With 9/16" Hole, 20 ft.	13/16" x 1-5/8", pre-galv., 12 g
G132OS1	With 9/16" x 1-1/8" Slot, 10 ft.	13/16" x 1-5/8", pre-galv., 12 g
G132OS2	With 9/16" x 1-1/8" Slot, 20 ft.	13/16" x 1-5/8", pre-galv., 12 g
G132LS1	With 13/32" x 3" Slot, 10 ft.	13/16" x 1-5/8", pre-galv., 12 g
G132LS2	With 13/32" x 3" Slot, 20 ft.	13/16" x 1-5/8", pre-galv., 12 g
G132A1*	Back-to-Back Welded, 10 ft. (Wt./100 ft.=264 lbs.)	1-5/8" x 1-5/8", pre-galv., 12 g
G132A2*	Back-to-Back Welded, 20 ft. (Wt./100 ft.=264 lbs.)	1-5/8" x 1-5/8", pre-galv., 12 g
G132KO1	With 7/8" Knock-out, 10 ft.	13/16" x 1-5/8", pre-galv., 12 g
G132KO2	With 7/8" Knock-out, 20 ft.	13/16" x 1-5/8", pre-galv., 12 g

Green

Bundle Quantity – 500 ft. • Wt./100 ft. – 132 lbs.

Catalog No.	Description	
G1321 POP	Solid, 10 ft.	13/16" x 1-5/8", green, 12 g
G1322 POP	Solid, 20 ft.	13/16" x 1-5/8", green, 12 g
G132H1 POP	With 9/16" Hole, 10 ft.	13/16" x 1-5/8", green, 12 g
G132H2 POP	With 9/16" Hole, 20 ft.	13/16" x 1-5/8", green, 12 g
G132OS1 POP	With 9/16" x 1-1/8" Slot, 10 ft.	13/16" x 1-5/8", green, 12 g
G132OS2 POP	With 9/16" x 1-1/8" Slot, 20 ft.	13/16" x 1-5/8", green, 12 g
G132LS1 POP	With 13/32" x 3" Slot, 10 ft.	13/16" x 1-5/8", green, 12 g
G132LS2 POP	With 13/32" x 3" Slot, 20 ft.	13/16" x 1-5/8", green, 12 g
G132A1 POP*	Back-to-Back Welded, 10 ft. (Wt./100 ft.=264 lbs.)	1-5/8" x 1-5/8", green, 12 g
G132A2 POP*	Back-to-Back Welded, 20 ft. (Wt./100 ft.=264 lbs.)	1-5/8" x 1-5/8", green, 12 g
G132KO1 POP	With 7/8" Knock-out, 10 ft.	13/16" x 1-5/8", green, 12 g
G132KO2 POP	With 7/8" Knock-out, 20 ft.	13/16" x 1-5/8", green, 12 g

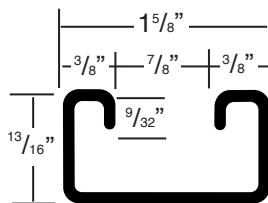
Special Finishes/Types (Consult factory for bundle quantities & weights)

Catalog No.*	Description	
G132YZ	Gregory Gold, Yellow Zinc Dichromate	13/16" x 1-5/8", 12 g
G132GN	Galvannealed (WIZcoat™)	13/16" x 1-5/8", 12 g
G132PO	Plain, Pickled & Oiled	13/16" x 1-5/8", 12 g
G132HDG	Hot-dipped Galvanized	13/16" x 1-5/8", 12 g
G132PVC	PVC Coated (Galvanized or Black)	13/16" x 1-5/8", 12 g

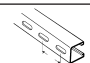
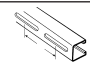
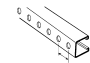
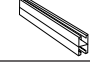

* Designate OS, LS, or H if perforation desired

Consult factory for special lengths, custom colors, and special finishes

G134



13/16" x 1-5/8" – 14 gauge

	G134OS [Oval-Slot] 9/16" x 1-1/8" – 2" ON CTR
	G134LS [Long-Slot] 13/32" x 3" – 4" ON CTR
	G134H [Holes] 9/16" DIAM. – 1-7/8" ON CTR
	G134A [Back-to-Back] WELDED
	G134KO [Knock-Out] 7/8" DIAM. – 6" ON CTR

Pre-Galvanized Bundle Quantity – 500 ft. • Wt./100 ft. – 101 lbs.

Catalog No.	Description	
G1341	Solid, 10 ft.	13/16" x 1-5/8", pre-galv., 14 g
G1342	Solid, 20 ft.	13/16" x 1-5/8", pre-galv., 14 g
G134H1	With 9/16" Hole, 10 ft.	13/16" x 1-5/8", pre-galv., 14 g
G134H2	With 9/16" Hole, 20 ft.	13/16" x 1-5/8", pre-galv., 14 g
G134OS1	With 9/16" x 1-1/8" Slot, 10 ft.	13/16" x 1-5/8", pre-galv., 14 g
G134OS2	With 9/16" x 1-1/8" Slot, 20 ft.	13/16" x 1-5/8", pre-galv., 14 g
G134LS1	With 13/32" x 3" Slot, 10 ft.	13/16" x 1-5/8", pre-galv., 14 g
G134LS2	With 13/32" x 3" Slot, 20 ft.	13/16" x 1-5/8", pre-galv., 14 g
G134A1*	Back-to-Back Welded, 10 ft. (Wt./100 ft.=202 lbs.)	1-5/8" x 1-5/8", pre-galv., 14 g
G134A2*	Back-to-Back Welded, 20 ft. (Wt./100 ft.=202 lbs.)	1-5/8" x 1-5/8", pre-galv., 14 g
G134KO1	With 7/8" Knock-out, 10 ft.	13/16" x 1-5/8", pre-galv., 14 g
G134KO2	With 7/8" Knock-out, 20 ft.	13/16" x 1-5/8", pre-galv., 14 g

Green

Bundle Quantity – 500 ft. • Wt./100 ft. – 101 lbs.

Catalog No.	Description	
G1341 POP	Solid, 10 ft.	13/16" x 1-5/8", green, 14 g
G1342 POP	Solid, 20 ft.	13/16" x 1-5/8", green, 14 g
G134H1 POP	With 9/16" Hole, 10 ft.	13/16" x 1-5/8", green, 14 g
G134H2 POP	With 9/16" Hole, 20 ft.	13/16" x 1-5/8", green, 14 g
G134OS1 POP	With 9/16" x 1-1/8" Slot, 10 ft.	13/16" x 1-5/8", green, 14 g
G134OS2 POP	With 9/16" x 1-1/8" Slot, 20 ft.	13/16" x 1-5/8", green, 14 g
G134LS1 POP	With 13/32" x 3" Slot, 10 ft.	13/16" x 1-5/8", green, 14 g
G134LS2 POP	With 13/32" x 3" Slot, 20 ft.	13/16" x 1-5/8", green, 14 g
G134A1 POP*	Back-to-Back Welded, 10 ft. (Wt./100 ft.=202 lbs.)	1-5/8" x 1-5/8", green, 14 g
G134A2 POP*	Back-to-Back Welded, 20 ft. (Wt./100 ft.=202 lbs.)	1-5/8" x 1-5/8", green, 14 g
G134KO1 POP	With 7/8" Knock-out, 10 ft.	13/16" x 1-5/8", green, 14 g
G134KO2 POP	With 7/8" Knock-out, 20 ft.	13/16" x 1-5/8", green, 14 g

Special Finishes/Types (Consult factory for bundle quantities & weights)

Catalog No.*	Description	
G134YZ	Gregory Gold, Yellow Zinc Dichromate	13/16" x 1-5/8", 14 g
G134AL	Aluminum Extruded	13/16" x 1-5/8", 14 g
G134GN	Galvannealed (WIZcoat™)	13/16" x 1-5/8", 14 g
G134PO	Plain, Pickled & Oiled	13/16" x 1-5/8", 14 g
G134HDG	Hot-dipped Galvanized	13/16" x 1-5/8", 14 g
G134SS	Stainless Steel (Grade 304 or 316)	13/16" x 1-5/8", 14 g
G134PVC	PVC Coated (Galvanized or Black)	13/16" x 1-5/8", 14 g

* Designate OS, LS, or H if perforation desired

Consult factory for special lengths, custom colors, and special finishes

SECTION 2

G-STRUT® Hardware

Material:

G-STRUT® channel nuts are made of steel conforming to ASTM A575, Grade M1015, 3/8" or thicker.

Finishes:

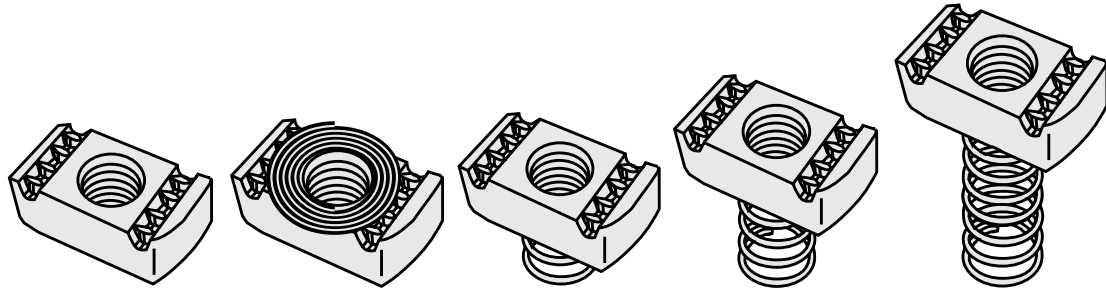
G-STRUT® channel nuts and hardware are produced in a standard electro-galvanized finish. Special finishes, including stainless, painted, and hot-dipped are available upon request.

Ordering:

Please note hardware description and strut application when placing orders.

Minimum order on hardware is equal to carton quantity.





THREAD SIZE	THICKNESS	NO SPRING ALL CHANNEL 100 PCS/CTN	TOP SPRING ALL CHANNEL 100 PCS/CTN	SHORT SPRING 13/16 CHANNEL 100 PCS/CTN	REGULAR SPRING 1-5/8 CHANNEL 100 PCS/CTN	LONG SPRING 3-1/4 CHANNEL 50 PCS/CTN
8-32	1/4"	GN832800 6.1 LBS/100 PCS	GTSN832800 6.4 LBS/100 PCS	GN832810 6.4 LBS/100 PCS	GN832820 6.7 LBS/100 PCS	GN832830 7 LBS/100 PCS
10-32	1/4"	GN1032800 5.9 LBS/100 PCS	GTSN1032800 6.2 LBS/100 PCS	GN1032810 6.2 LBS/100 PCS	GN1032820 6.5 LBS/100 PCS	GN1032830 6.8 LBS/100 PCS
10-24	1/4"	GN1024800 5.9 LBS/100 PCS	GTSN1024800 6.2 LBS/100 PCS	GN1024810 6.2 LBS/100 PCS	GN1024820 6.5 LBS/100 PCS	GN1024830 6.8 LBS/100 PCS
1/4-20	1/4"	GN800 6 LBS/100 PCS	GTSN800 6 LBS/100 PCS	GN810 7 LBS/100 PCS	GN820 7 LBS/100 PCS	GN830 7 LBS/100 PCS
3/8-16	3/8"	GN801 9 LBS/100 PCS	GTSN801 9 LBS/100 PCS	GN811 9 LBS/100 PCS	GN821 10 LBS/100 PCS	GN831 10 LBS/100 PCS
1/2-13	3/8"	GN802 9 LBS/100 PCS	GTSN802 9 LBS/100 PCS	GN812 9 LBS/100 PCS	GN822 10 LBS/100 PCS	GN832 10 LBS/100 PCS
1/2-13	1/2"	GN803 12 LBS/100 PCS	-	-	GN823 13 LBS/100 PCS	GN833 13 LBS/100 PCS
5/8-11	7/16"	GN804 13 LBS/100 PCS	-	-	GN824 13 LBS/100 PCS	GN834 13 LBS/100 PCS
3/4-10	7/16"	GN805 13 LBS/100 PCS	-	-	GN825 13 LBS/100 PCS	GN835 13 LBS/100 PCS
5/8-11	3/8"	GN806 13 LBS/100 PCS	-	GN814 10 LBS/100 PCS	-	-
3/4-10	3/8"	GN807 13 LBS/100 PCS	-	GN815 9 LBS/100 PCS	-	-
5/16-18	3/8"	GN808 7 LBS/100 PCS	GTSN808 7 LBS/100 PCS	GN818 7 LBS/100 PCS	GN828 7 LBS/100 PCS	GN838 7 LBS/100 PCS
7/8-9	7/16"	GN809 13 LBS/100 PCS	-	-	GN829 13 LBS/100 PCS	-
M6-1	1/4"	GNM6800 6.6 LBS/100 PCS	-	GNM6810 5.5 LBS/100 PCS	GNM6820 5.8 LBS/100 PCS	GNM6830 6.1 LBS/100 PCS
M8-1.25	1/4"	GNM8800 5.5 LBS/100 PCS	-	GNM8810 5.8 LBS/100 PCS	GNM8820 5.8 LBS/100 PCS	GNM8830 6.1 LBS/100 PCS
M10-1.5	3/8"	GNM10801 7.8 LBS/100 PCS	-	GNM10811 8.1 LBS/100 PCS	GNM10821 8.4 LBS/100 PCS	GNM10831 8.7 LBS/100 PCS
M12-1.75	3/8"	GNM12801 7.4 LBS/100 PCS	-	GNM12811 7.7 LBS/100 PCS	GNM12821 8 LBS/100 PCS	GNM12831 8.3 LBS/100 PCS
M12-1.75	1/2"	GNM12803 9.5 LBS/100 PCS	-	-	GNM12823 10 LBS/100 PCS	-

* G-Strut channel nuts are case hardened, made from steel conforming to ASTM A575, Grade M1015 3/8" or thicker *

All parts are electro-galvanized. For other finishes, please specify finish type by adding the following suffix to the part number:

STAINLESS STEEL = SS
HOT DIP GALVANIZED = HDG

Example:

When Ordering 3/8 - 16 Thread, 3/8" Thickness, Regular Spring, Hot Dip Galvanized Spring Nut the Part # Would Be:

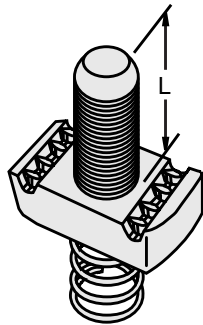
GN821HDG

* FINISH: ELECTRO-GALVANIZED • ALSO AVAILABLE IN STAINLESS STEEL & HOT DIP GALVANIZED *

SPECIALTY CHANNEL NUTS

HARDWARE

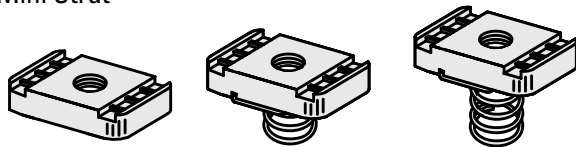
REGULAR SPRING CHANNEL NUTS WITH STUDS



PART #	NUT SIZE	THREAD SIZE	STUD LENGTH (L)	CARTON QTY.	LBS./100pcs
GSTN25100	1/4"	1/4-20	1"	50	7
GSTN25125			1-1/4"	50	8
GSTN25150			1-1/2"	50	8
GSTN37100	3/8"	3/8-16	1"	50	11
GSTN37125			1-1/4"	50	12
GSTN37150			1-1/2"	50	13
GSTN50100	1/2"	1/2-13	1"	50	17
GSTN50125			1-1/4"	50	18
GSTN50150			1-1/2"	50	19

MINI CHANNEL NUTS

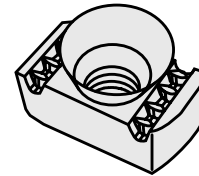
For Mini Strut



THREAD SIZE	NO SPRING	SHORT SPRING	LONG SPRING	CARTON QTY.
8-32	-	GMN832S	GMN832	200
10-32	GMN1032N	GMN1032S	GMN1032	200
10-24	GMN1024N	GMN1024S	GMN1024	200
1/4-20	GMN025N	GMN025S	GMN025	200

EZ NUTS

For All Channel

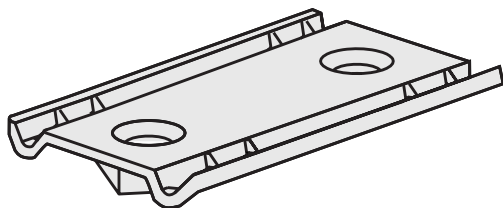


PART #	THREAD SIZE	THICKNESS	CARTON QTY.	LBS./100pcs
GCN800	1/4-20	3/8"	100	9
GCN801	3/8-16	3/8"	100	9
GCN802	1/2-13	3/8"	100	8

3/8" DOUBLE CONVEYOR ADJUSTING NUT

GDCN031

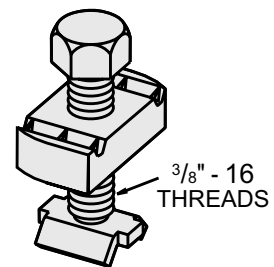
50/CTN
17 LBS/100



SEISMIC ROD STIFFENER

GRS375062

100/CTN
16 LBS/100



NUTS, BOLTS, WASHERS, SWIVELS & COUPLERS

HARDWARE

SCREWS



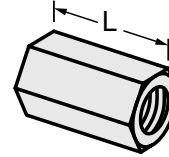
THREAD SIZE	LENGTH	HEX HEAD CAP 100 PCS/CTN	FLAT HEAD 100 PCS/CTN	ROUND HEAD MACHINE 100 PCS/CTN
1/4-20	1/2	GHH25050 1 LBS/100 PCS	-	-
1/4-20	5/8	-	GFH062 1.2 LBS/100 PCS	-
1/4-20	3/4	GHH25075 1.3 LBS/100 PCS	-	GRH1075 1.2 LBS/100 PCS
1/4-20	1"	GHH25100 1.7 LBS/100 PCS	-	GRH1100 1.5 LBS/100 PCS
1/4-20	1-1/4"	-	-	GRH1125 1.8 LBS/100 PCS
5/16-18	1"	-	GFH100 2.6 LBS/100 PCS	GRH2100 2.6 LBS/100 PCS
5/16-18	1-1/4"	-	-	GRH2125 3 LBS/100 PCS
5/16-18	1-1/2"	-	-	GRH2150 3.5 LBS/100 PCS
3/8-16	3/4"	GHH375075 4 LBS/100 PCS	-	-
3/8-16	1"	GHH375100 4.5 LBS/100 PCS	-	GRH3100 4.1 LBS/100 PCS
3/8-16	1-1/4"	GHH375125 5.3 LBS/100 PCS	-	GRH3125 4.7 LBS/100 PCS
3/8-16	1-1/2"	GHH375150 6.1 LBS/100 PCS	-	GRH3150 5.3 LBS/100 PCS
3/8-16	2"	GHH375200 7.6 LBS/100 PCS	GFH200 6.5 LBS/100 PCS	-
3/8-16	2-1/4"	GHH375225 8.5 LBS/100 PCS	GFH225 7.1 LBS/100 PCS	-
3/8-16	2-1/2"	-	GFH250 7.7 LBS/100 PCS	GRH3250 7.7 LBS/100 PCS
1/2-13	1"	GHH50100 9.1 LBS/100 PCS	-	-
1/2-13	1-1/4"	GHH50125 10 LBS/100 PCS	-	-
1/2-13	1-1/2"	GHH50150 11.6 LBS/100 PCS	-	-
1/2-13	1-3/4"	GHH50175 13.2 LBS/100 PCS	-	-
1/2-13	2"	GHH50200 14.7 LBS/100 PCS	-	-
1/2-13	2-1/4"	GHH50225 16 LBS/100 PCS	-	-
1/2-13	2-1/2"	GHH50250 17.5 LBS/100 PCS	-	-

NUTS



THREAD SIZE	SQUARE NUTS 100 PCS/CTN	HEX NUTS 100 PCS/CTN
1/4-20	GSN025 0.9 LBS/100 PCS	GHN025 0.6 LBS/100 PCS
5/16-18	GSN3125 1.6 LBS/100 PCS	GHN3125 1.2 LBS/100 PCS
3/8-16	GSN375 2.7 LBS/100 PCS	GHN375 1.6 LBS/100 PCS
1/2-13	GSN050 5.8 LBS/100 PCS	GHN050 4.8 LBS/100 PCS

ROD COUPLERS

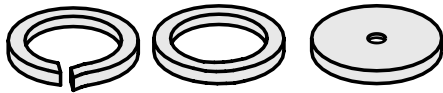


PART #	THREAD SIZE	LENGTH (L)	CARTON QTY.	LBS./100 PCS
GRC025	1/4-20	7/8"	100	2
GRC037	3/8-16	1-1/8"	100	11
GRC050	1/2-13	1-1/8"	100	11
GRC062	5/8-11	2-1/8"	100	16
GRC075	3/4-10	2-1/4"	100	28

SWIVELS



WASHERS

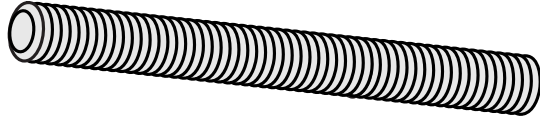


HOLE SIZE	LOCK WASHER 100 PCS/CTN	FLAT WASHER 100 PCS/CTN	FENDER WASHER 100 PCS/CTN
1/4"	GLW025 0.7 LBS/100 PCS	GFW025 0.7 LBS/100 PCS	GFDW025 3 LBS/100 PCS
3/8"	GLW375 1.5 LBS/100 PCS	GFW375 1.5 LBS/100 PCS	GFDW037 3 LBS/100 PCS
1/2"	GLW050 3.5 LBS/100 PCS	GFW050 3.5 LBS/100 PCS	GFDW050 3 LBS/100 PCS

THREAD SIZE	STUD LENGTH	MALE SWIVEL 25 PCS/CTN	FEMALE SWIVEL 25 PCS/CTN	FEMALE/FEMALE SWIVEL 50 PCS/CTN	FEMALE/MALE SWIVEL 50 PCS/CTN
3/8-16	1"	GSNHM037 15 LBS/100 PCS	-	-	GSNHFM037 26 LBS/100 PCS
3/8-16	-	-	GSNHFO37 12 LBS/100 PCS	GSNHFF037 24 LBS/100 PCS	-
1/2-13	1"	GSNHM050 20 LBS/100 PCS	-	-	GSNHFM050 35 LBS/100 PCS
1/2-13	-	-	GSNHFO50 12 LBS/100 PCS	GSNHFF050 24 LBS/100 PCS	-

* FINISH: ELECTRO-GALVANIZED *

ALL-THREADED ROD



PART #	THREAD SIZE	ROD LENGTH	PCS./ TUBE	TUBES/ BUNDLES	LBS./ PIECE
GAT0256	1/4 - 20	6'	50	40	.7
GAT02510		10'		25	1.2
GAT02512		12'		25	1.4
GAT0316	5/16 - 18	6'	35	40	1.1
GAT03110		10'		25	1.9
GAT03112		12'		25	2.3
GAT0376	3/8 - 16	6'	25	40	1.7
GAT03710		10'		25	2.9
GAT03712		12'		25	3.5
GAT0506	1/2 - 13	6'	12	40	3.2
GAT05010		10'		25	5.3
GAT05012		12'		25	6.4
GAT0626	5/8 - 11	6'	8	40	5.0
GAT06210		10'		25	8.3
GAT06212		12'		25	10.0
GAT0756	3/4 - 10	6'	5	40	7.3
GAT07510		10'		25	12.2
GAT07512		12'		25	14.6
GAT0876	7/8 - 9	6'	4	40	9.9
GAT08710		10'		25	16.5
GAT08712		12'		25	19.8
GAT1006	1 - 8	6'	2	50	13.3
GAT10010		10'		50	22.2
GAT10012		12'		50	26.6
GAT1126	1-1/8 - 7	6'	1	10	16.9
GAT11210		10'		10	28.1
GAT11212		12'		10	33.7
GAT1256	1-1/4 - 7	6'	1	10	21.0
GAT12510		10'		10	35.0
GAT12512		12'		10	42.0

All parts are electro-galvanized. For other finishes please specify finish type by adding the following suffix to the part #:

STAINLESS STEEL (304) = SS
 STAINLESS STEEL (316) = SS(316)
 HOT DIP GALVANIZED = HDG
 PLAIN = PO

Example:
 When Ordering 10' Long, 1/2" Size, Hot Dip Galvanized All-Thread the Part # Would Be:
 GAT05010HDG

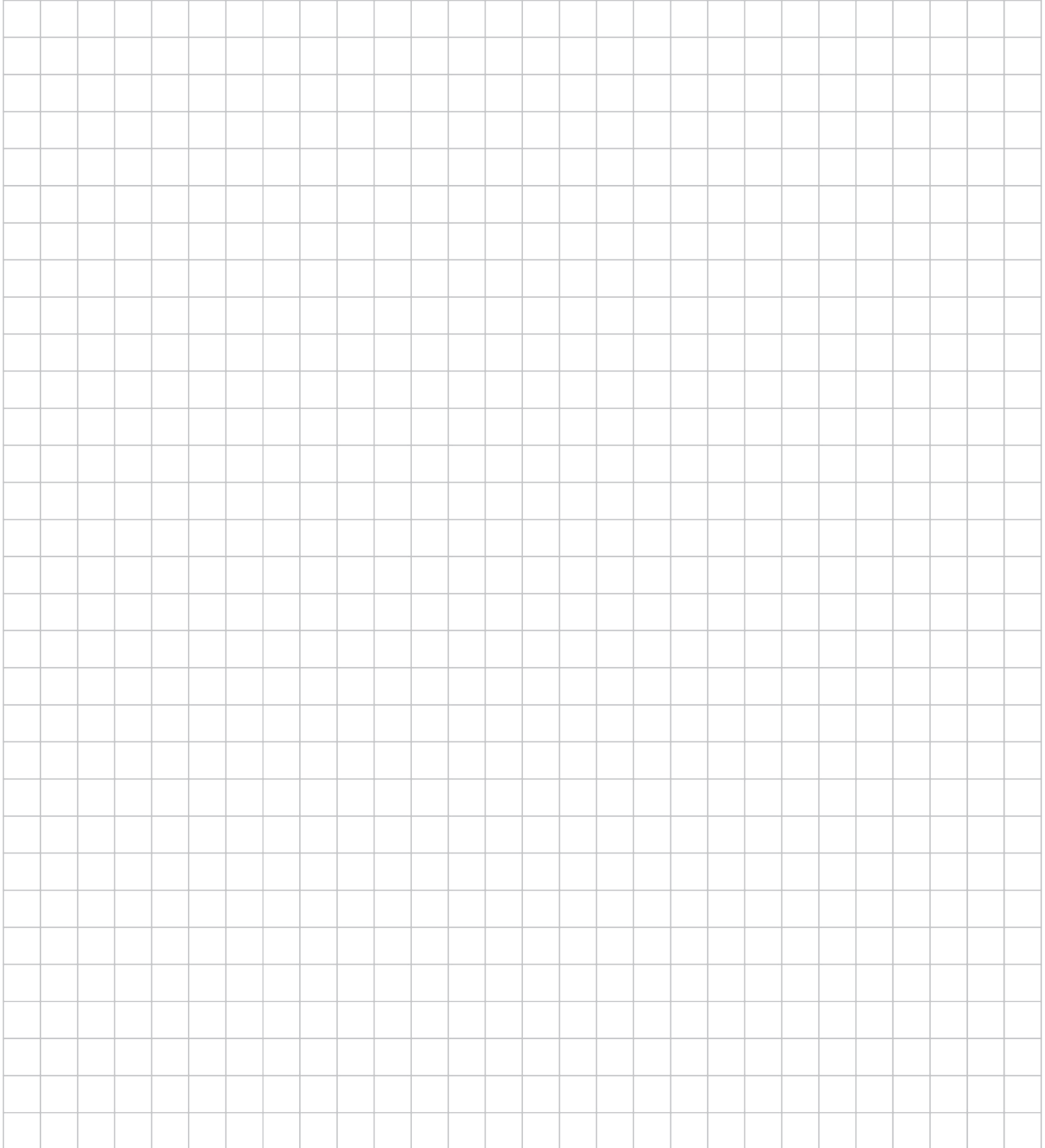
* NOTE: The 5/16", 1-1/8", 1-1/4" sizes are only available in the Electro-Galvanized finish. *

* NOTE: The 1/4" sizes are not available in the Hot Dip Galvanized finish. *

* FINISH: ELECTRO-GALVANIZED • ALSO AVAILABLE IN STAINLESS STEEL, HOT DIP GALVANIZED & PLAIN STEEL *

Notes

G-STRUT



SECTION 3

G-STRUT® Fittings & Accessories

General:

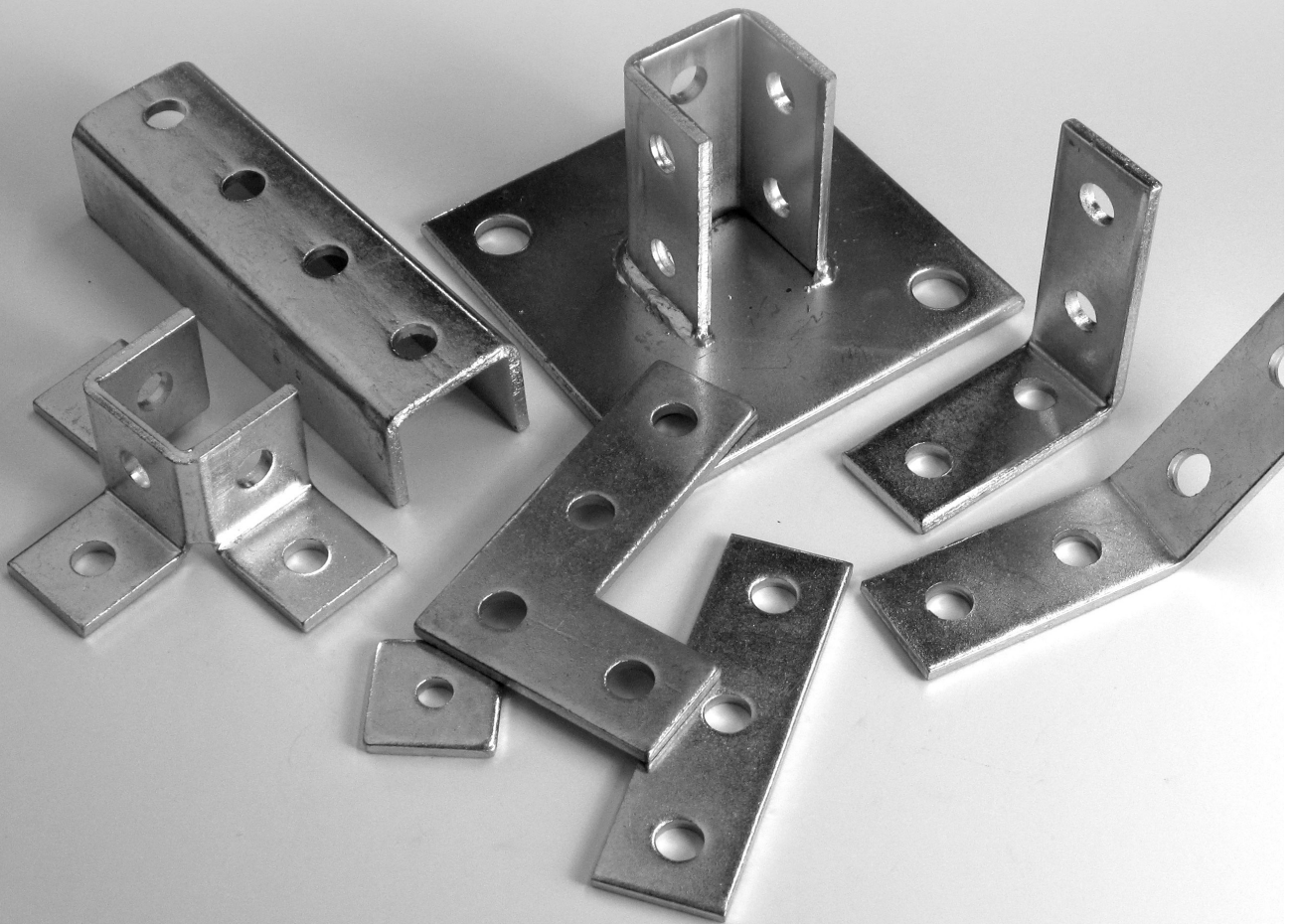
G-STRUT® fittings and accessories allow the assembly of even complex support and storage designs with basic hand tools.

Material:

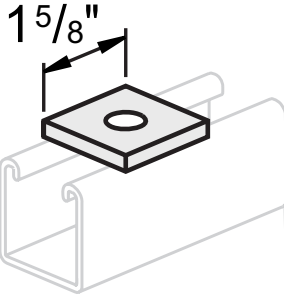
Most fittings are made from 1/4" thick carbon steel to an approximated 1-5/8" width to match or accommodate G-STRUT® channel products. Note dimensions shown for assembly compatibility.

Finishes:

Standard finish for accessories is electro-galvanized. Consult factory for other finishes.

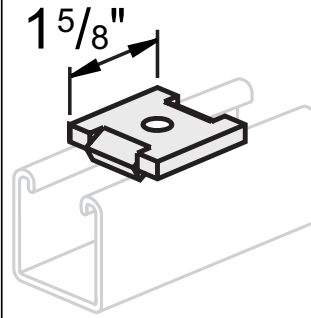


SQUARE WASHER



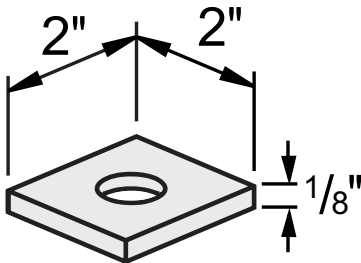
PART #	HOLE SIZE	CARTON QTY.	LBS./ 100pcs
G201025	1/4"	100	16
G201031	5/16"	100	16
G201037	3/8"	100	16
G201050	1/2"	100	16
G201062	5/8"	100	16
G201075	3/4"	100	16

NO-TURN SQUARE WASHER



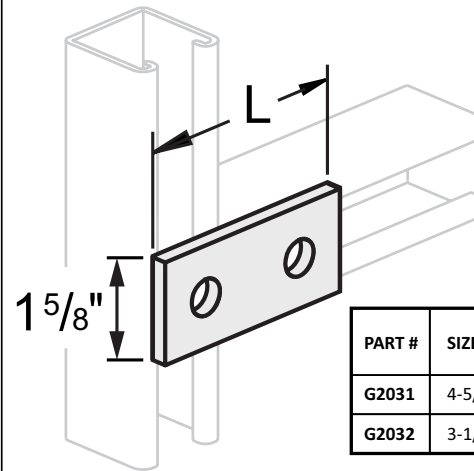
PART #	HOLE SIZE	CARTON QTY.	LBS./ 100pcs
G202025	1/4"	100	16
G202037	3/8"	100	16
G202050	1/2"	100	16
G202062	5/8"	100	16
G202075	3/4"	100	16

2"x 2" SQUARE WASHER



PART #	HOLE SIZE	CARTON QTY.	LBS./ 100pcs
G203037	3/8"	100	13
G203050	1/2"	100	13

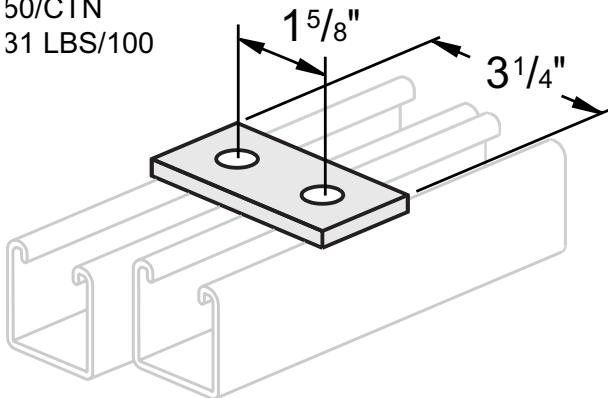
2 HOLE FLAT PLATE CONNECTOR



PART #	SIZE (L)	CARTON QTY.	LBS./ 100pcs
G2031	4-5/8"	50	50
G2032	3-1/2"	50	33

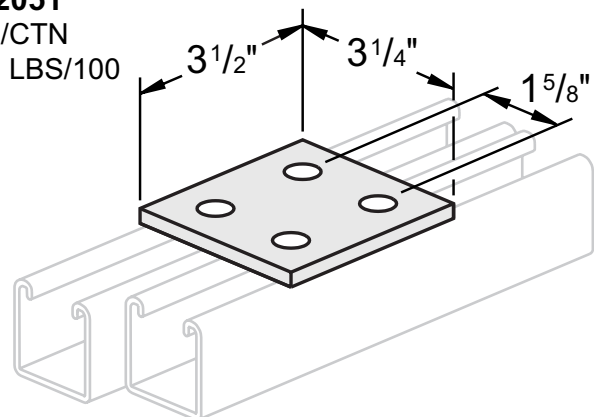
2 HOLE SPLICE PLATE

G2033
50/CTN
31 LBS/100



4 HOLE SPLICE PLATE

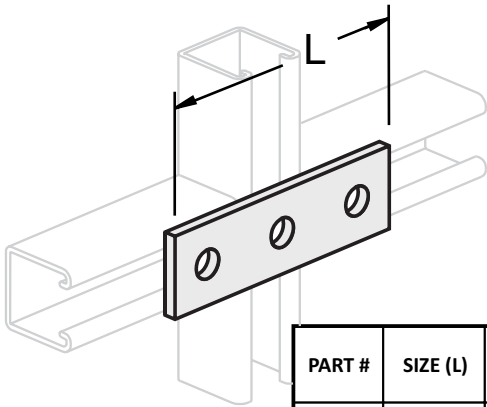
G2051
25/CTN
74 LBS/100



FLAT PLATE FITTINGS

FITTINGS & ACCESSORIES

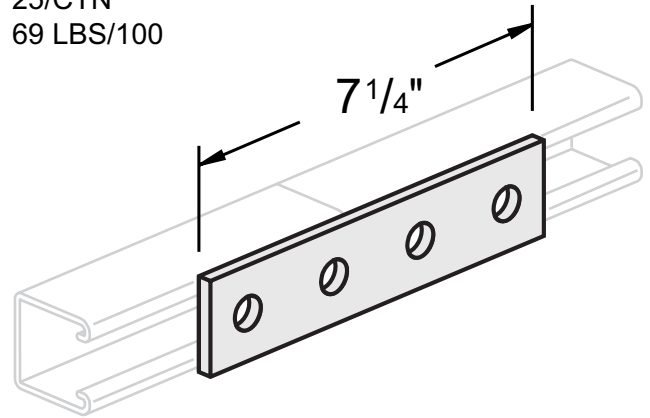
3 HOLE SPLICE PLATE



PART #	SIZE (L)	CARTON QTY.	LBS./ 100pcs
G206	5-3/8"	50	58
G2061	4-7/8"	20	50

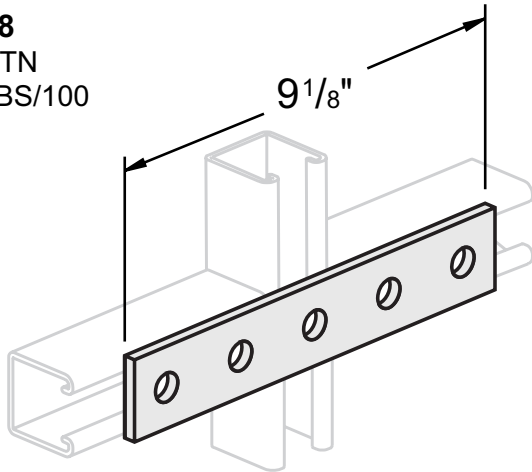
4 HOLE SPLICE PLATE

G205
25/CTN
69 LBS/100



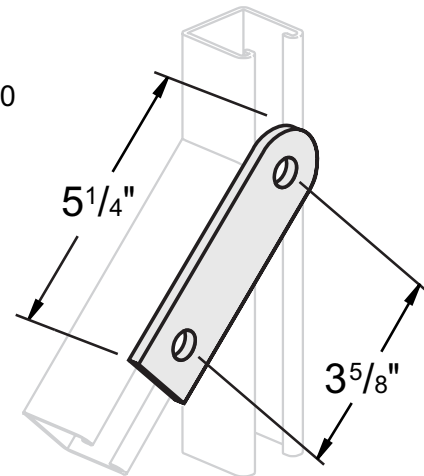
5 HOLE CONNECTOR PLATE

G208
25/CTN
95 LBS/100



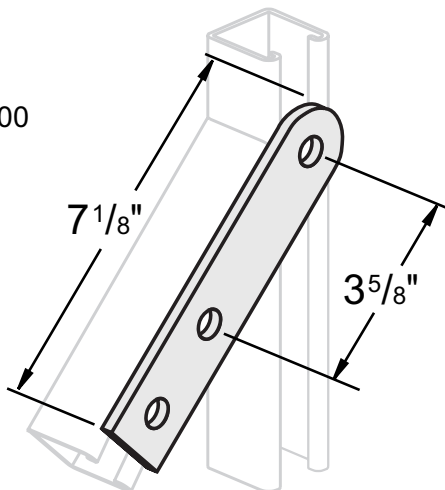
2 HOLE SWIVEL PLATE

G2071
25/CTN
49 LBS/100



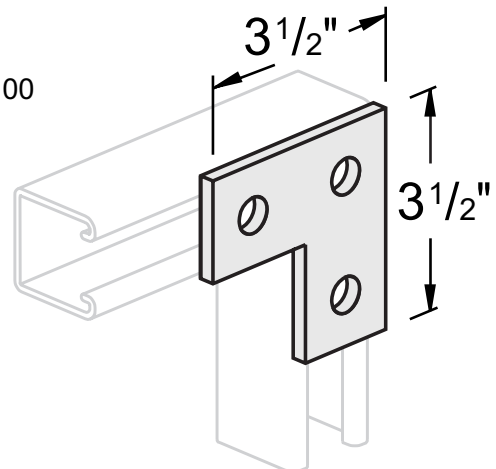
3 HOLE SWIVEL PLATE

G207
25/CTN
76 LBS/100



3 HOLE FLAT ANGLE PLATE

G210
50/CTN
50 LBS/100

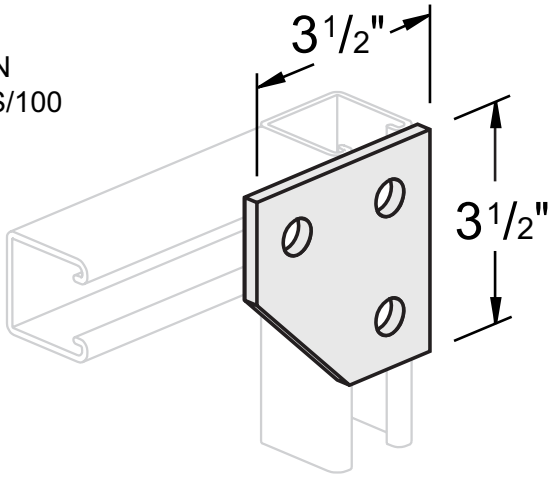


* MATERIAL IS 1-5/8" WIDE x 1/4" THICK UNLESS SPECIFIED • HOLES ARE 9/16" DIAMETER UNLESS SPECIFIED *

FLAT PLATE FITTINGS

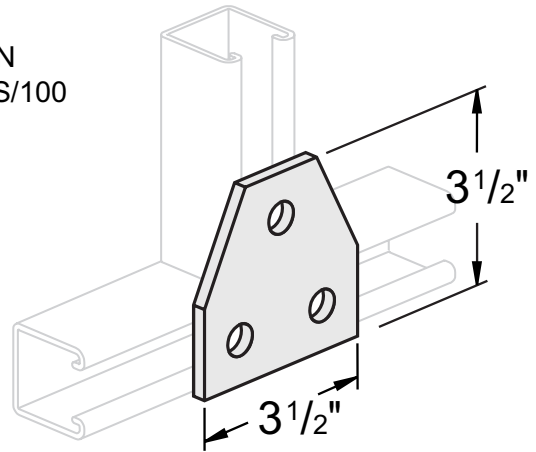
3 HOLE CORNER CONNECTOR

G211
25/CTN
70 LBS/100



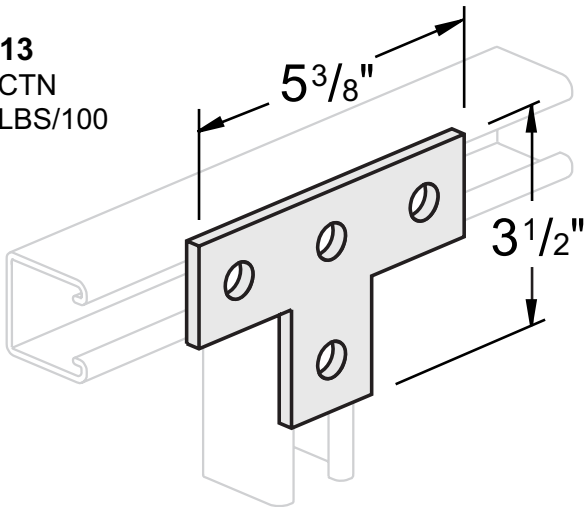
3 HOLE CONNECTOR PLATE

G212
50/CTN
70 LBS/100



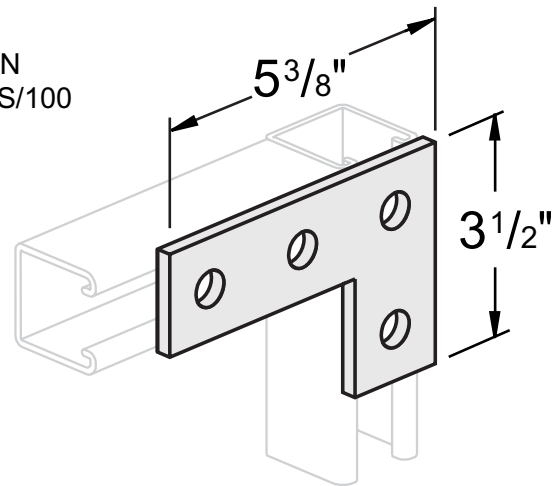
4 HOLE TEE PLATE

G213
25/CTN
66 LBS/100



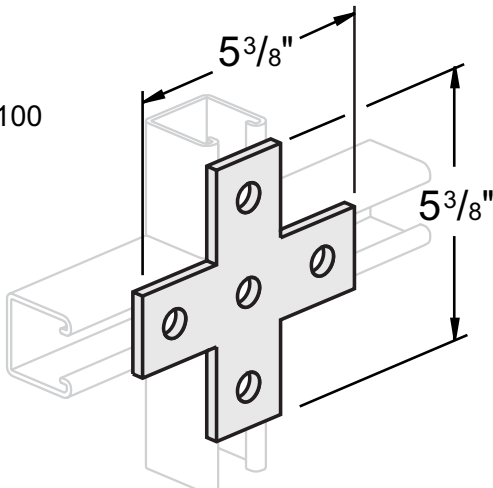
4 HOLE CORNER JOINER PLATE

G214
20/CTN
69 LBS/100



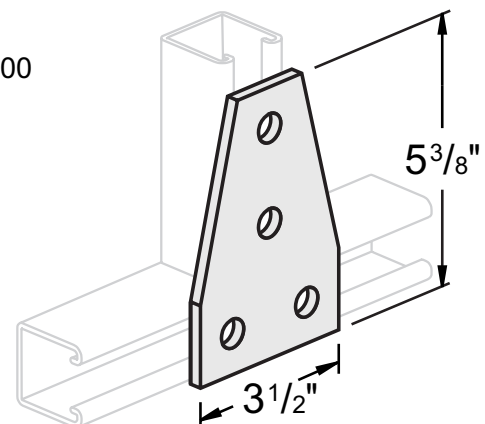
5 HOLE CROSS PLATE

G216
25/CTN
90 LBS/100



4 HOLE CONNECTOR PLATE

G217
25/CTN
93 LBS/100



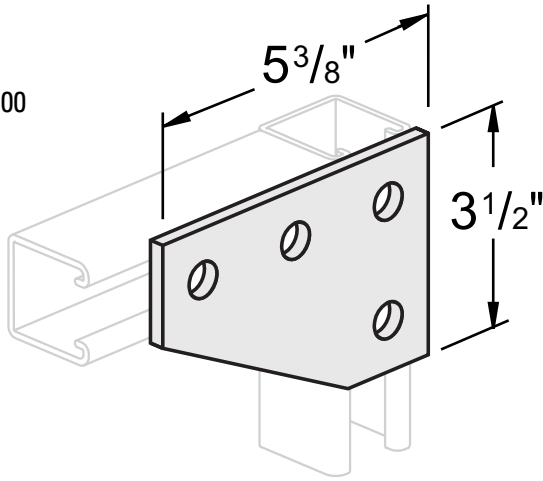
* MATERIAL IS 1-5/8" WIDE x 1/4" THICK UNLESS SPECIFIED • HOLES ARE 9/16" DIAMETER UNLESS SPECIFIED *

FLAT PLATE FITTINGS

FITTINGS & ACCESSORIES

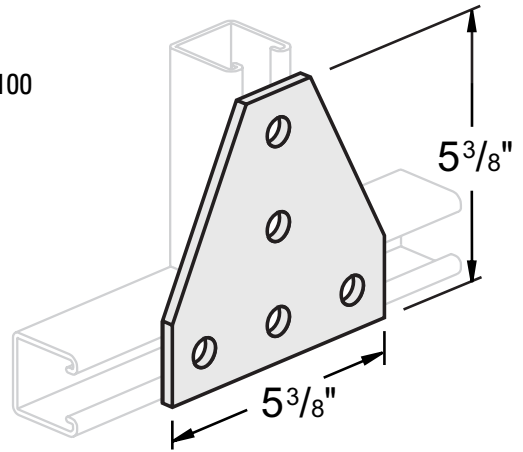
4 HOLE CORNER CONNECTOR PLATE

G218
25/CTN
92 LBS/100



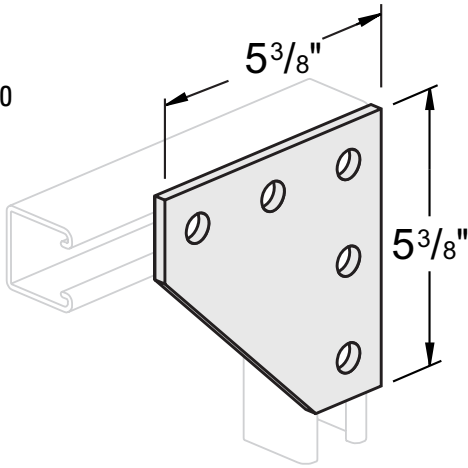
5 HOLE CONNECTOR PLATE

G219
25/CTN
143 LBS/100



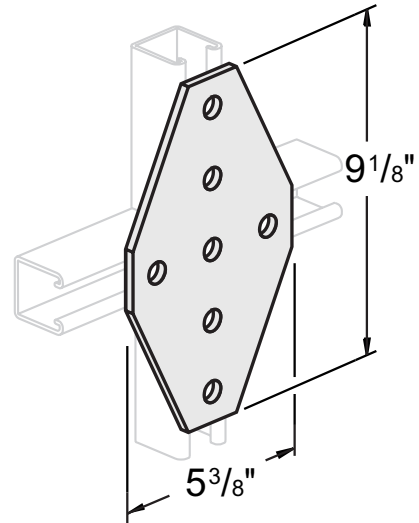
5 HOLE CORNER CONNECTOR PLATE

G2191
10/CTN
135 LBS/100



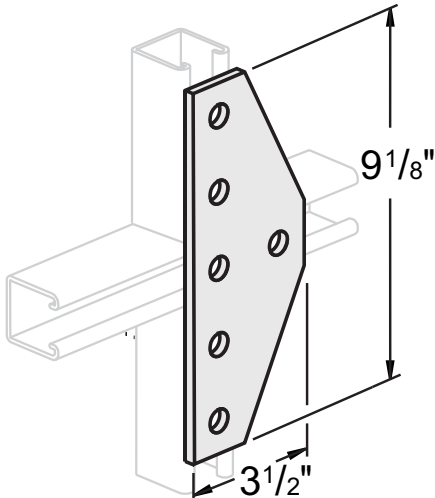
7 HOLE CONNECTOR PLATE

G220
10/CTN
240 LBS/100



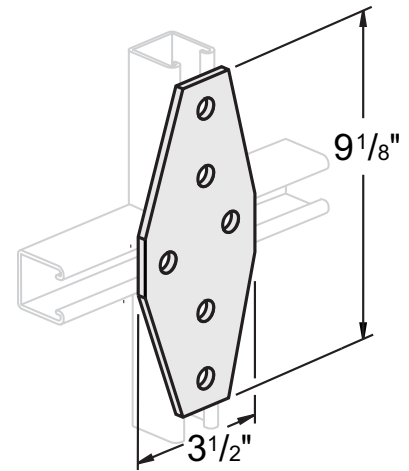
6 HOLE TEE CORNER CONNECTOR

G221
10/CTN
149 LBS/100



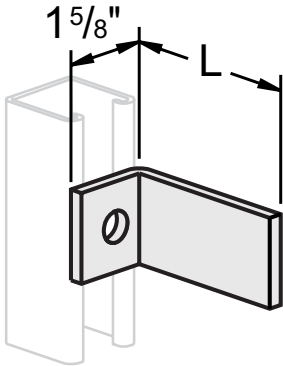
6 HOLE STAGGERED CONNECTOR

G222
10/CTN
166 LBS/100



* MATERIAL IS 1-5/8" WIDE x 1/4" THICK UNLESS SPECIFIED • HOLES ARE 9/16" DIAMETER UNLESS SPECIFIED *

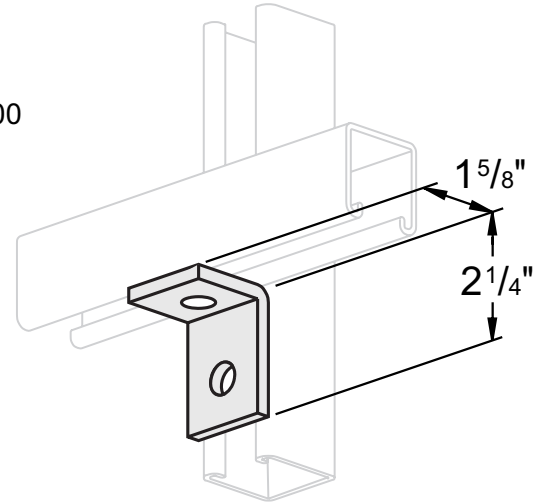
1 HOLE CORNER ANGLE



PART #	SIZE (L)	CARTON QTY.	LBS./ 100pcs
G3061	1-5/8" x 3-7/8"	25	48
G3062	1-5/8" x 5-7/8"	25	83
G3063	1-5/8" x 7-7/8"	25	105
G3065	1-7/8" x 3-7/8"	25	130

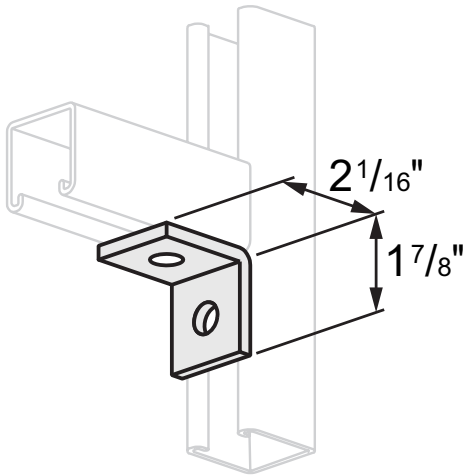
2 HOLE CORNER ANGLE

G301
25/CTN
33 LBS/100



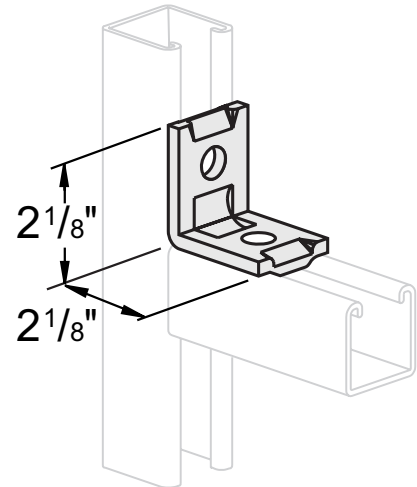
2 HOLE CONNECTION ANGLE

G302
50/CTN
35 LBS/100

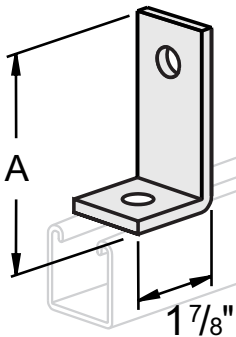


2 HOLE NO-TWIST CORNER ANGLE

G304
50/CTN
37 LBS/100

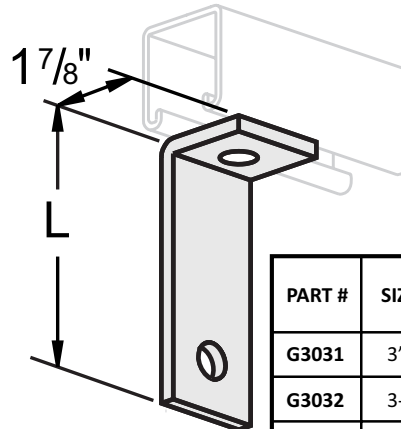


2 HOLE OFFSET ANGLE



PART #	SIZE (L)	CARTON QTY.	LBS./ 100pcs
G3381	3"	25	48
G3382	3-1/2"	25	53
G3383	4"	25	61

2 HOLE CORNER ANGLE



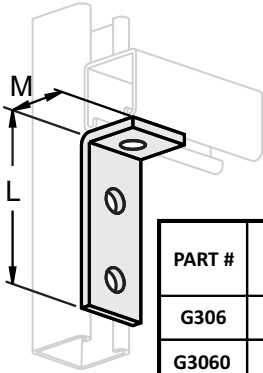
PART #	SIZE (L)	CARTON QTY.	LBS./ 100pcs
G3031	3"	50	49
G3032	3-1/2"	50	54
G3033	4"	50	61

* MATERIAL IS 1-5/8" WIDE x 1/4" THICK UNLESS SPECIFIED • HOLES ARE 9/16" DIAMETER UNLESS SPECIFIED *

90° ANGLE FITTINGS

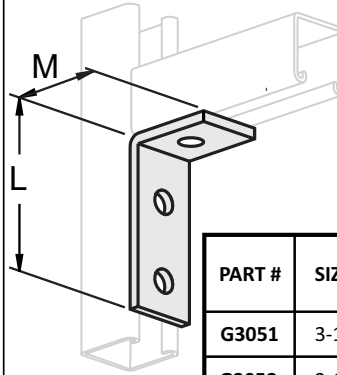
FITTINGS & ACCESSORIES

3 HOLE CORNER ANGLE



PART #	SIZE (L)	SIZE (M)	CARTON QTY.	LBS./100pcs
G306	4-1/8"	1-5/8"	25	50
G3060	3-7/8"	1-7/8"	50	60
G3064	3-15/16"	1-7/8"	25	51

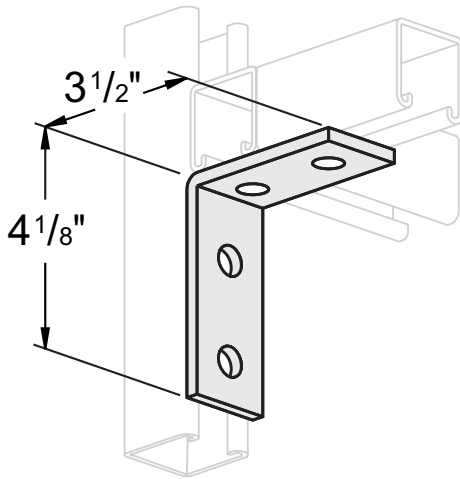
3 HOLE CORNER ANGLE



PART #	SIZE (L)	SIZE (M)	CARTON QTY.	LBS./100pcs
G3051	3-1/4"	2"	25	58
G3052	3-1/2"	2-1/4"	25	50

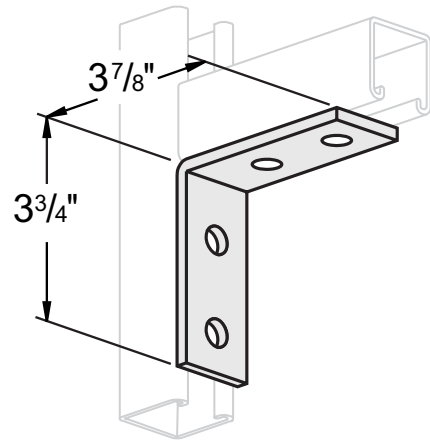
4 HOLE CORNER ANGLE

G311
25/CTN
69 LBS/100



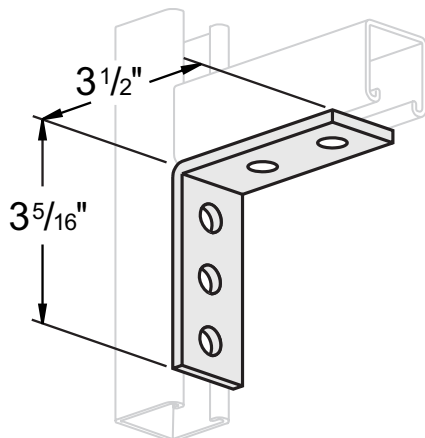
4 HOLE CORNER ANGLE

G3111
25/CTN
68 LBS/100



5 HOLE CORNER ANGLE

G3112
25/CTN
75 LBS/100

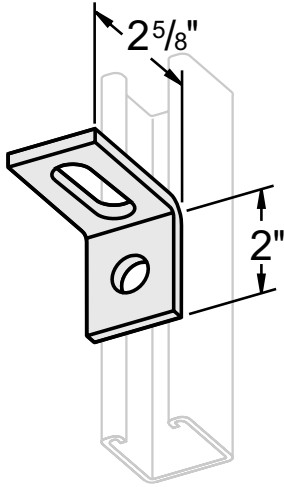


* MATERIAL IS 1-5/8" WIDE x 1/4" THICK UNLESS SPECIFIED • HOLES ARE 9/16" DIAMETER UNLESS SPECIFIED *

ADJUSTABLE ANGLE FITTINGS

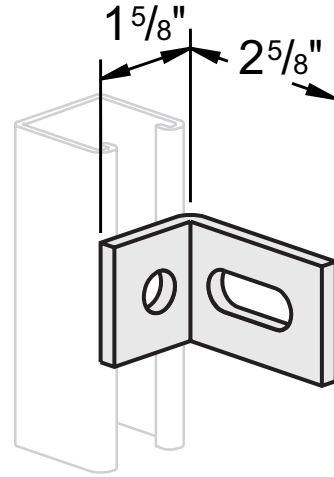
2 HOLE ADJUSTABLE CORNER ANGLE

G333
25/CTN
42 LBS/100

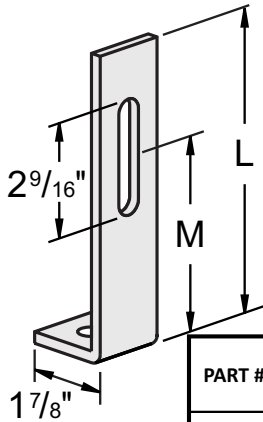


2 HOLE ADJUSTABLE CORNER ANGLE

G337
50/CTN
38 LBS/100



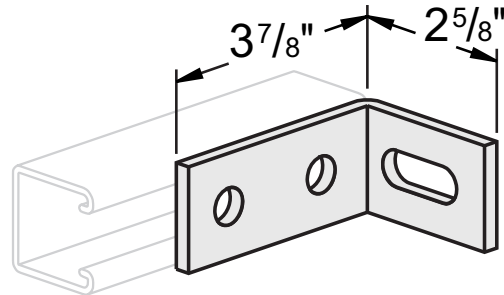
2 HOLE ADJUSTABLE CORNER ANGLE



PART #	SIZE (L)	SIZE (M)	CARTON QTY.	LBS./100pcs
G336	4-7/8"	2-1/2"	25	59
G3361	6-7/8"	4-1/2"	25	81

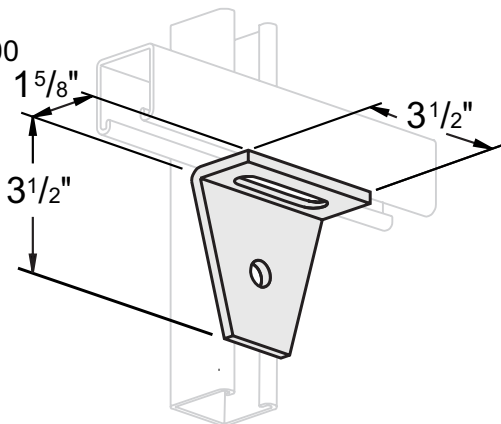
3 HOLE ADJUSTABLE CORNER ANGLE

G331
25/CTN
63 LBS/100



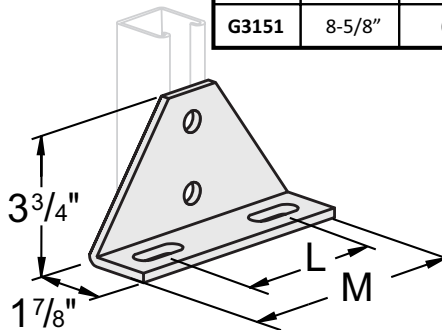
2 HOLE ADJUSTABLE CORNER ANGLE

G334
20/CTN
97 LBS/100



2 HOLE 2 SLOTTED CONNECTOR ANGLE

PART #	SIZE (M)	SIZE (L)	CARTON QTY.	LBS./100pcs
G315	6-5/8"	4"	10	171
G3151	8-5/8"	6"	10	200



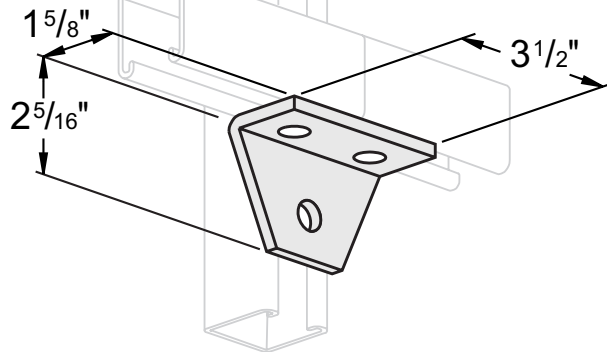
* MATERIAL IS 1-5/8" WIDE x 1/4" THICK UNLESS SPECIFIED • HOLES ARE 9/16" DIAMETER UNLESS SPECIFIED *

90° ANGLE FITTINGS

FITTINGS & ACCESSORIES

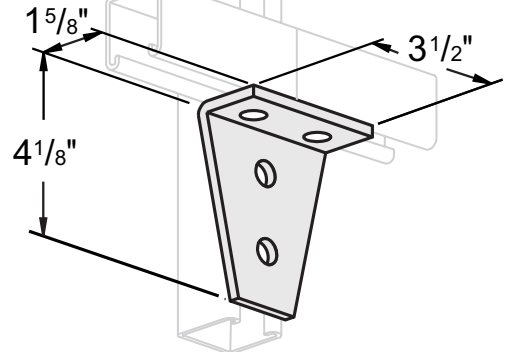
3 HOLE CORNER SHELF ANGLE

G3071
25/CTN
70 LBS/100



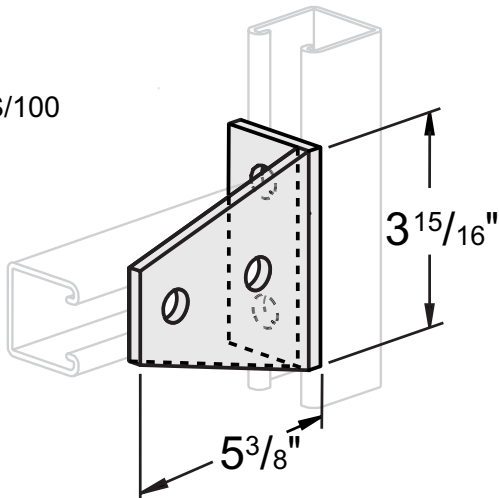
4 HOLE JOINT CONNECTOR ANGLE

G309
25/CTN
105 LBS/100



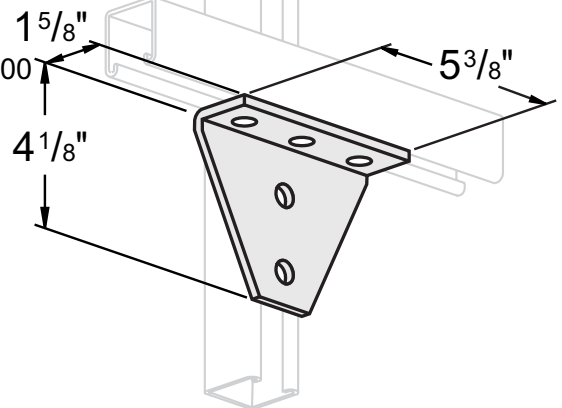
4 HOLE CORNER SHELF ANGLE

G308
25/CTN
148 LBS/100



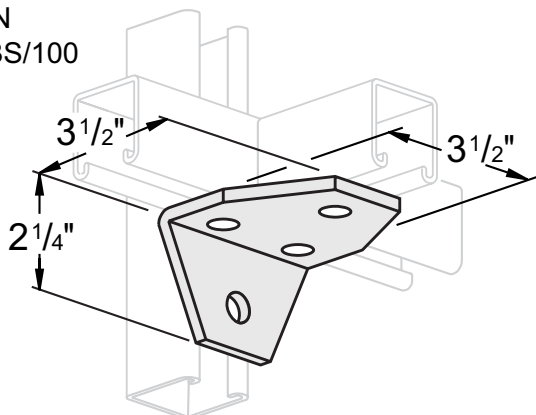
5 HOLE JOINT CONNECTOR ANGLE

G314
10/CTN
155 LBS/100



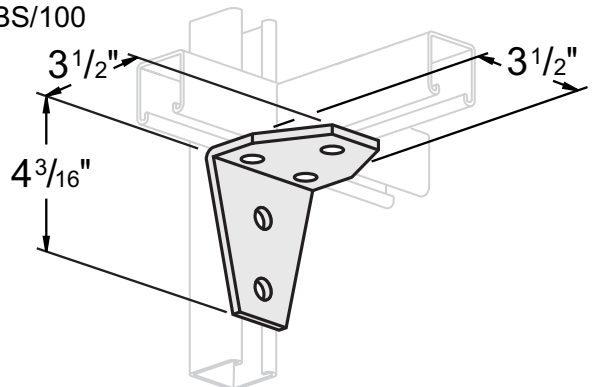
4 HOLE DUPLEX CORNER ANGLE

G310
25/CTN
100 LBS/100



5 HOLE DUPLEX CORNER ANGLE

G313
10/CTN
135 LBS/100

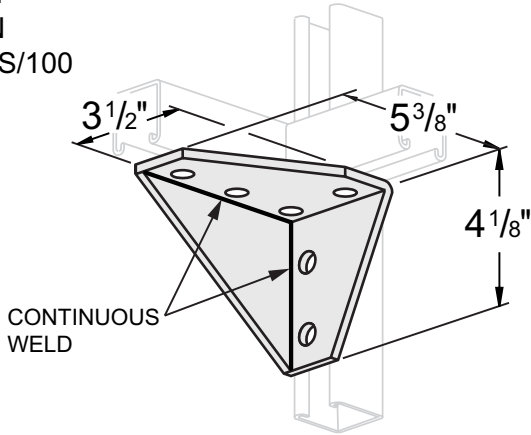


* MATERIAL IS 1-5/8" WIDE x 1/4" THICK UNLESS SPECIFIED • HOLES ARE 9/16" DIAMETER UNLESS SPECIFIED *

90° ANGLE FITTINGS

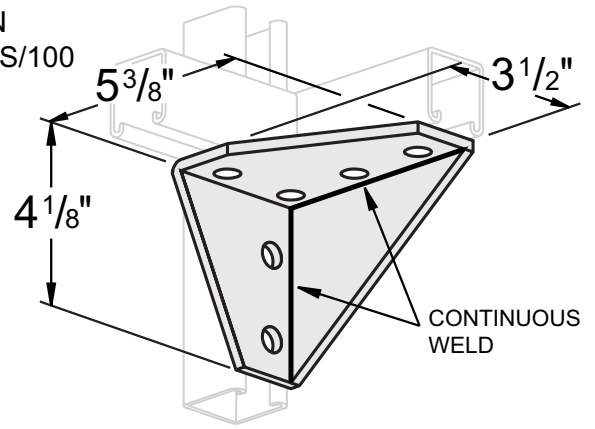
6 HOLE SHELF BRACKET
(Left Hand)

G316L
10/CTN
236 LBS/100



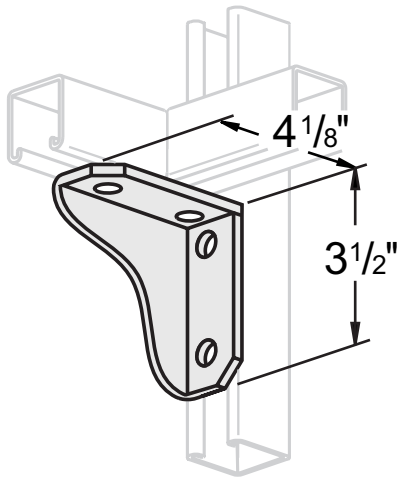
6 HOLE SHELF BRACKET
(Right Hand)

G316R
10/CTN
236 LBS/100



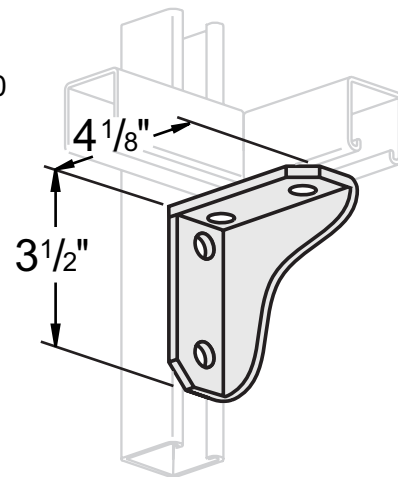
4 HOLE SHELF BRACKET
(Left Hand)

G318L
10/CTN
114 LBS/100



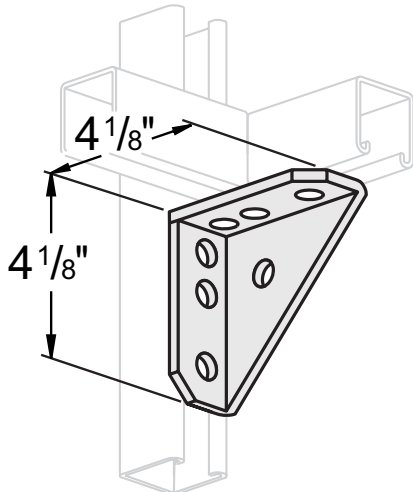
4 HOLE SHELF BRACKET
(Right Hand)

G318R
10/CTN
114 LBS/100



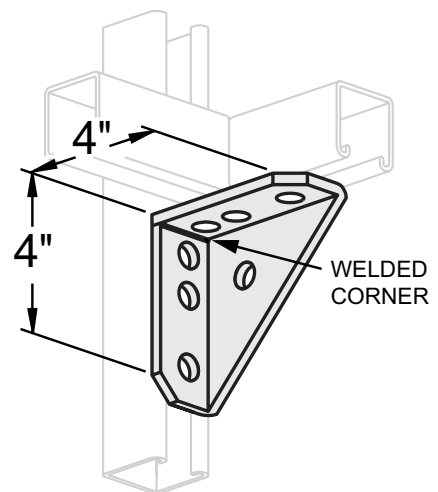
7 HOLE UNIVERSAL CORNER ANGLE

G335
10/CTN
127 LBS/100



7 HOLE UNIVERSAL CORNER ANGLE

G335W
10/CTN
127 LBS/100



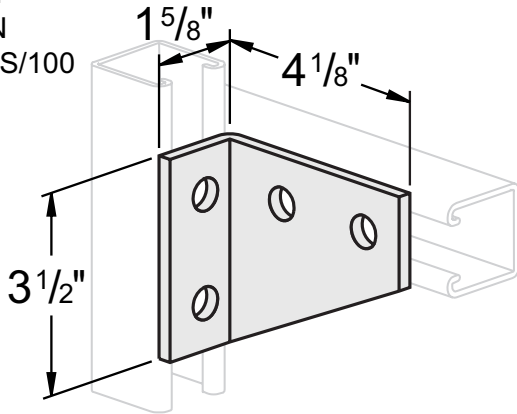
* MATERIAL IS 1-5/8" WIDE x 1/4" THICK UNLESS SPECIFIED • HOLES ARE 9/16" DIAMETER UNLESS SPECIFIED *

ANGLE FITTINGS

FITTINGS & ACCESSORIES

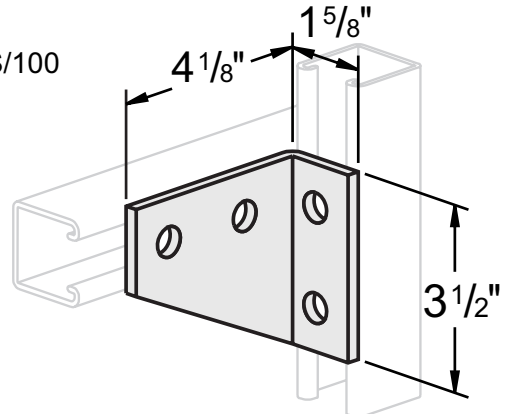
4 HOLE JOINT CORNER ANGLE
(Left Hand)

G3422
10/CTN
105 LBS/100



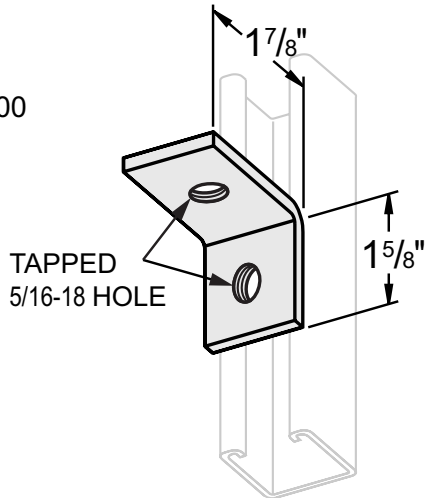
4 HOLE JOINT CORNER ANGLE
(Right Hand)

G3421
10/CTN
105 LBS/100



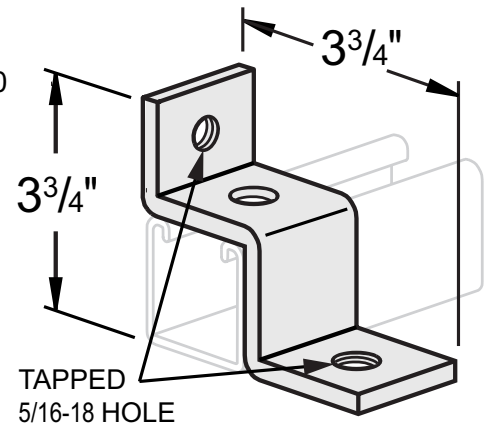
2 HOLE TAPPED CORNER ANGLE

G332
50/CTN
33 LBS/100



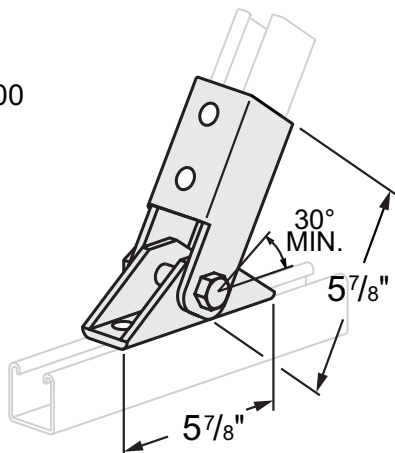
3 HOLE SHEATH CORNER CONNECTOR

G348
25/CTN
68 LBS/100



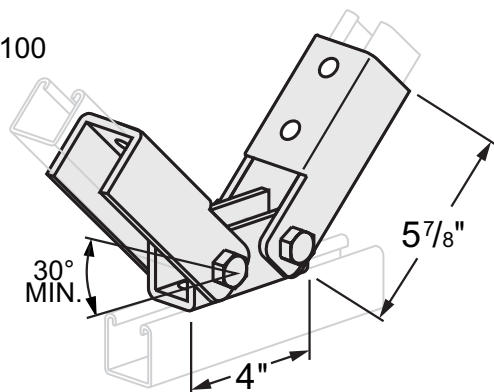
ADJ. SINGLE CHANNEL BRACE

GACB319
5/CTN
250 LBS/100



ADJ. DOUBLE CHANNEL HINGE

GACB320
5/CTN
500 LBS/100

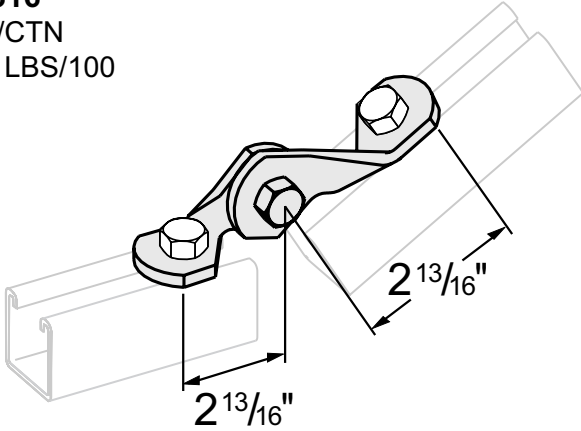


* MATERIAL IS 1-5/8" WIDE x 1/4" THICK UNLESS SPECIFIED • HOLES ARE 9/16" DIAMETER UNLESS SPECIFIED *

ANGLE FITTINGS

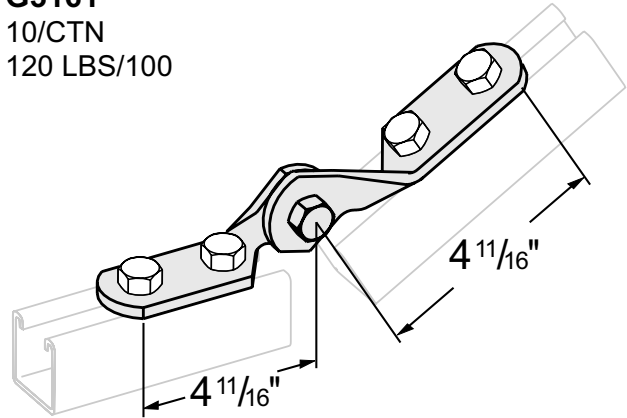
2 HOLE ADJUSTABLE HINGE

G316
10/CTN
89 LBS/100



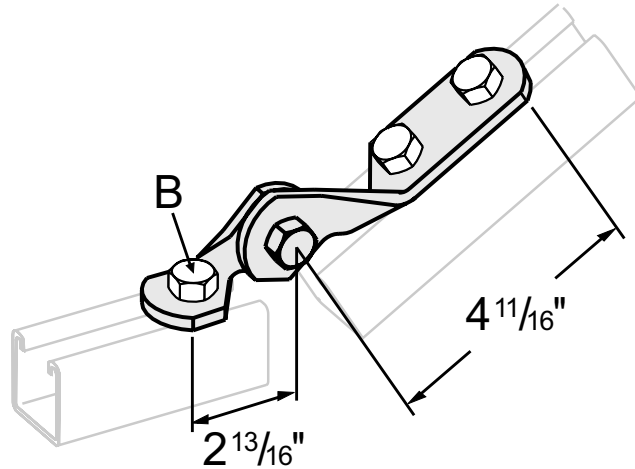
4 HOLE ADJUSTABLE HINGE

G3161
10/CTN
120 LBS/100

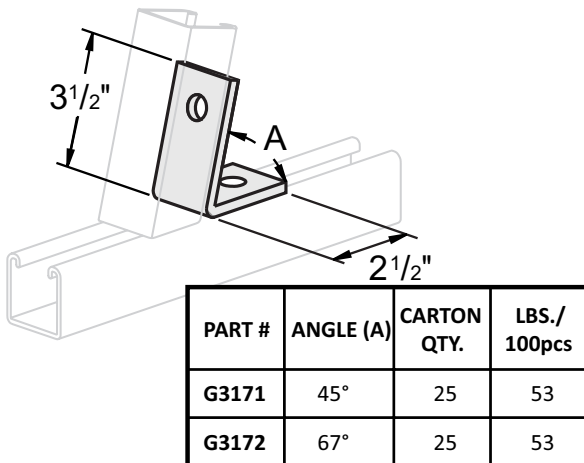


3 HOLE ADJUSTABLE HINGE

PART #	BOLT (B)	CARTON QTY.	LBS./ 100pcs
G33001	3/8"	10	106
G33002	1/2"	10	104
G33003	5/8"	10	102
G33004	3/4"	10	100

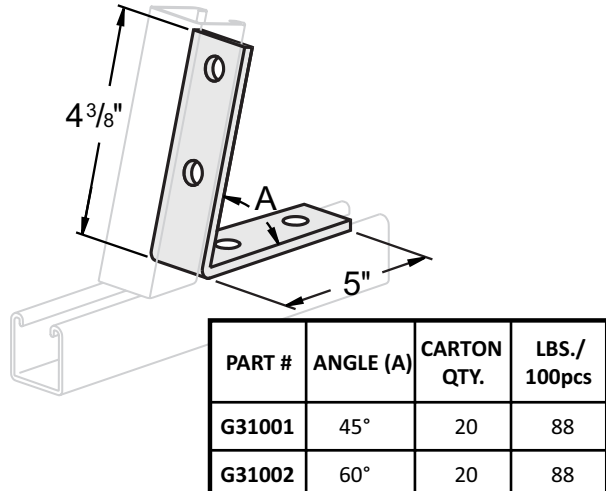


2 HOLE CLOSED ANGLE



PART #	ANGLE (A)	CARTON QTY.	LBS./ 100pcs
G3171	45°	25	53
G3172	67°	25	53

4 HOLE CLOSED ANGLE



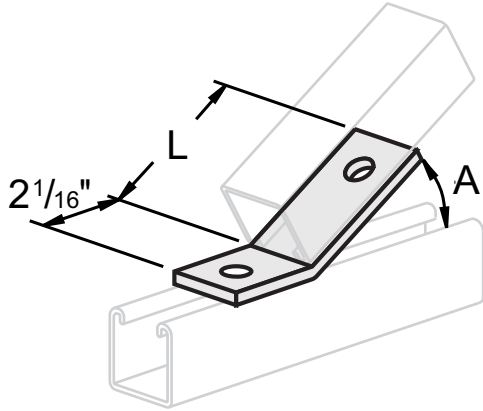
PART #	ANGLE (A)	CARTON QTY.	LBS./ 100pcs
G31001	45°	20	88
G31002	60°	20	88

* MATERIAL IS 1-5/8" WIDE x 1/4" THICK UNLESS SPECIFIED • HOLES ARE 9/16" DIAMETER UNLESS SPECIFIED *

ANGLE FITTINGS

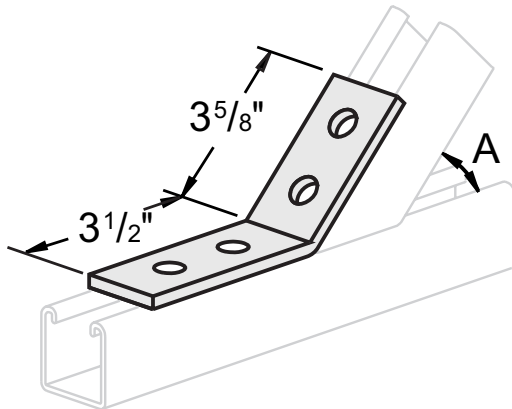
FITTINGS & ACCESSORIES

2 HOLE OPEN ANGLE



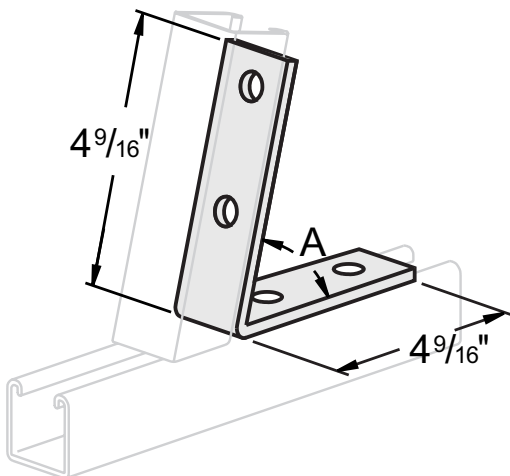
PART #	SIZE (L)	ANGLE (A)	CARTON QTY.	LBS./100pcs
G3191	3-1/2"	82-1/2°	25	54
G3192	3-1/2"	75°	25	54
G3193	3-1/2"	67-1/2°	25	54
G3194	3-1/4"	60°	25	54
G3195	3-1/4"	52-1/2°	25	54
G3196	3-1/4"	37-1/2°	25	54
G3197	3-5/16"	30°	25	54
G3198	3-5/16"	22-1/2°	25	54
G3199	3-5/16"	15°	25	54
G31910	3-5/16"	7-1/2°	25	54
G31911	3-1/4"	45°	25	54

4 HOLE OPEN ANGLE



PART #	ANGLE (A)	CARTON QTY.	LBS./100pcs
G3201	7-1/2°	25	70
G3202	15°	25	70
G3203	22-1/2°	25	70
G3204	30°	25	70
G3205	37-1/2°	25	70
G3206	45°	25	70
G3207	52-1/2°	25	70
G3208	60°	25	70
G3209	67-1/2°	25	70
G32010	75°	25	70
G32011	82-1/2°	25	70

4 HOLE CLOSED ANGLE



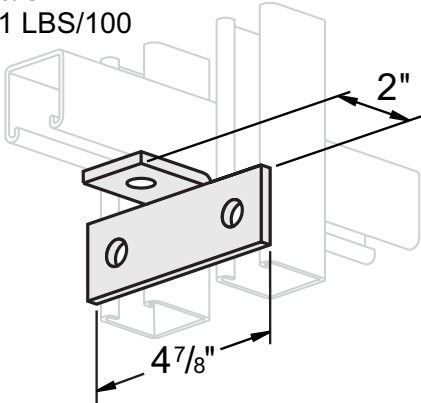
PART #	ANGLE (A)	CARTON QTY.	LBS./100pcs
G32001	37-1/2°	25	100
G32002	45°	25	100
G32003	52-1/2°	25	100
G32004	60°	25	100
G32005	67-1/2°	25	100
G32006	75°	25	100
G32007	82-1/2°	25	100

* MATERIAL IS 1-5/8" WIDE x 1/4" THICK UNLESS SPECIFIED • HOLES ARE 9/16" DIAMETER UNLESS SPECIFIED *

WING FITTINGS

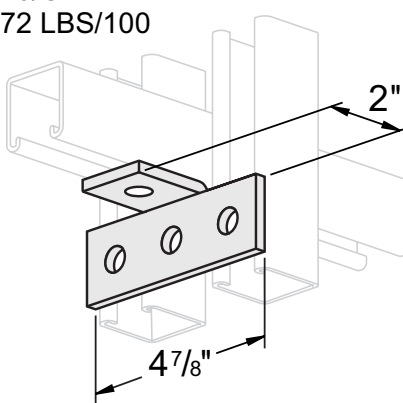
3 HOLE OFFSET BENT TEE

G339
25/CTN
71 LBS/100



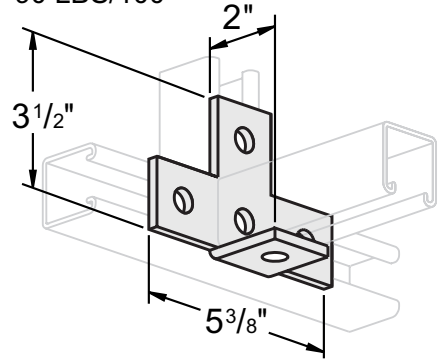
4 HOLE BENT TEE

G312
10/CTN
72 LBS/100



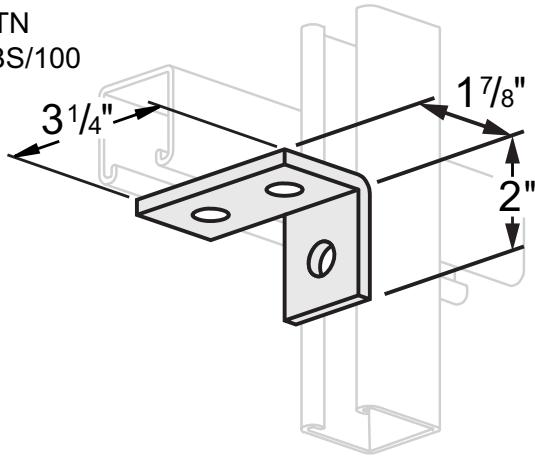
5 HOLE OFFSET BENT TEE

G340
10/CTN
90 LBS/100



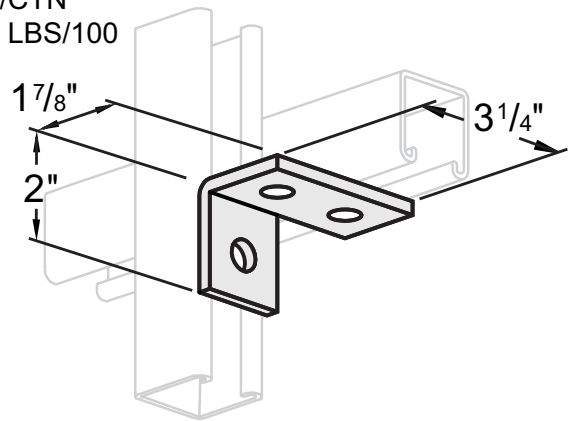
3 HOLE LEFT HAND OFFSET ANGLE (Left Hand)

G330L
15/CTN
93 LBS/100



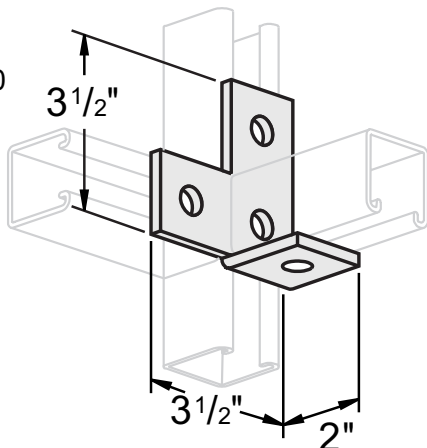
3 HOLE RIGHT HAND OFFSET ANGLE (Right Hand)

G330R
15/CTN
93 LBS/100



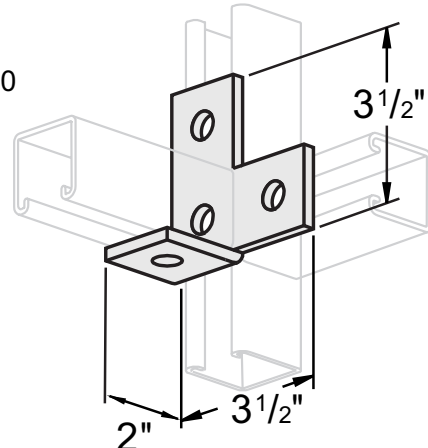
4 HOLE LEFT HAND OFFSET TEE (Left Hand)

G3411
10/CTN
72 LBS/100



4 HOLE RIGHT HAND OFFSET TEE (Right Hand)

G3412
10/CTN
72 LBS/100

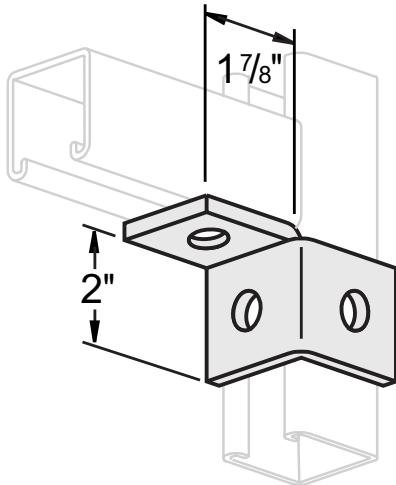


WING FITTINGS

FITTINGS & ACCESSORIES

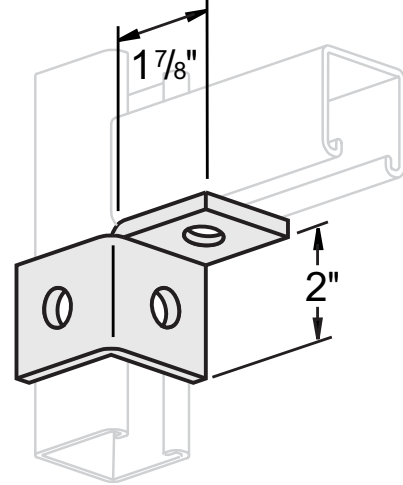
**3 HOLE SINGLE ANGLE CONNECTOR
(Left Hand)**

G321L
15/CTN
60 LBS/100



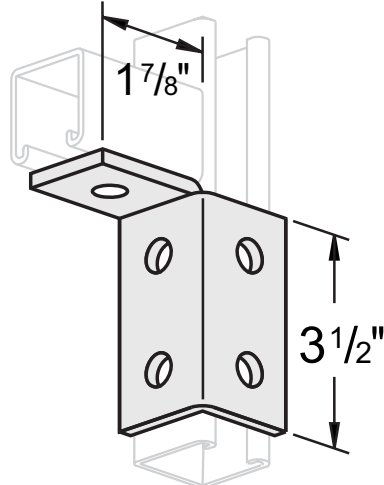
**3 HOLE SINGLE ANGLE CONNECTOR
(Right Hand)**

G321R
15/CTN
60 LBS/100



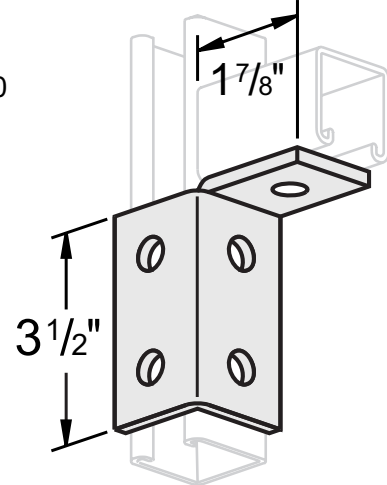
**5 HOLE SINGLE ANGLE CONNECTOR
(Left Hand)**

G329L
15/CTN
100 LBS/100



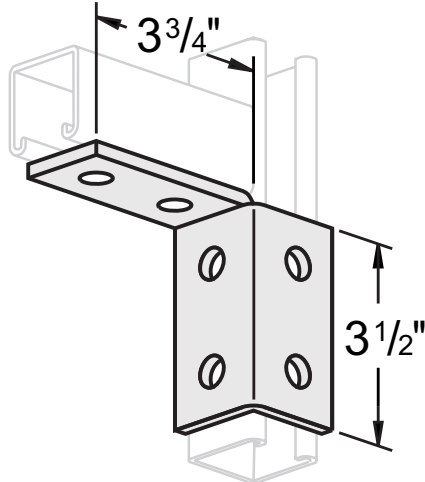
**5 HOLE SINGLE ANGLE CONNECTOR
(Right Hand)**

G329R
15/CTN
100 LBS/100



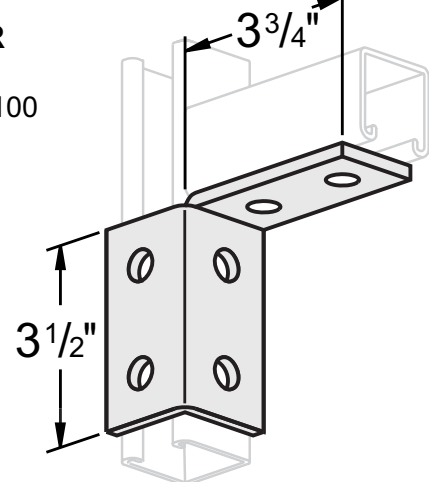
**6 HOLE SINGLE ANGLE CONNECTOR
(Left Hand)**

G32112L
15/CTN
119 LBS/100



**6 HOLE SINGLE ANGLE CONNECTOR
(Right Hand)**

G32112R
15/CTN
119 LBS/100



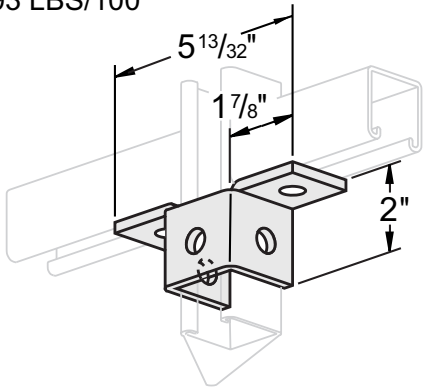
* MATERIAL IS 1-5/8" WIDE x 1/4" THICK UNLESS SPECIFIED • HOLES ARE 9/16" DIAMETER UNLESS SPECIFIED *

WING FITTINGS

FITTINGS & ACCESSORIES

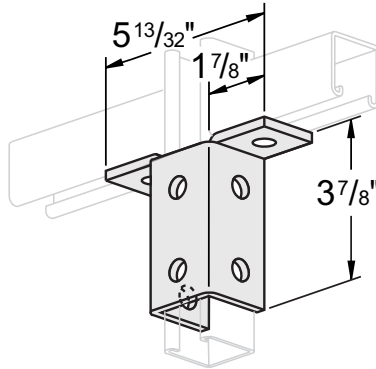
5 HOLE DOUBLE WING CONNECTOR

G327
15/CTN
93 LBS/100



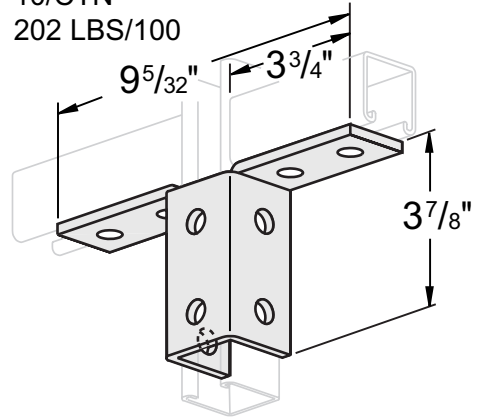
8 HOLE DOUBLE WING CONNECTOR

G350
10/CTN
177 LBS/100



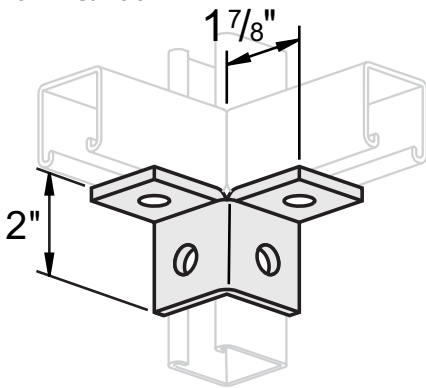
10 HOLE DOUBLE WING CONNECTOR

G355
10/CTN
202 LBS/100



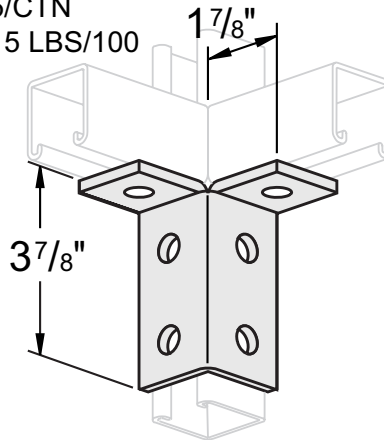
4 HOLE DOUBLE ANGLE CONNECTOR

G326
25/CTN
76 LBS/100



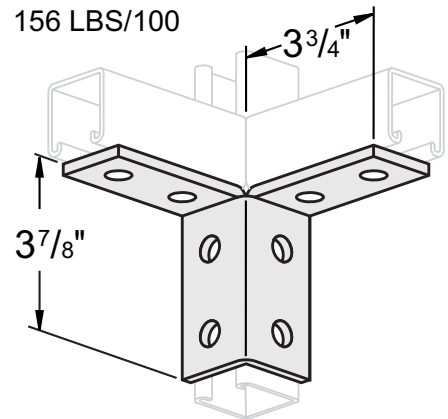
6 HOLE DOUBLE ANGLE CONNECTOR

G354
25/CTN
115 LBS/100



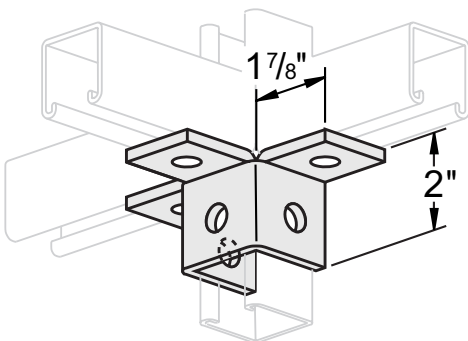
8 HOLE DOUBLE ANGLE CONNECTOR

G3261
10/CTN
156 LBS/100



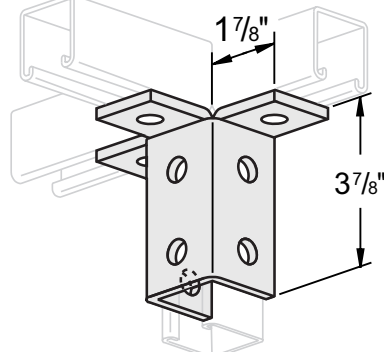
6 HOLE TRIPLE WING CONNECTOR

G3281
10/CTN
105 LBS/100



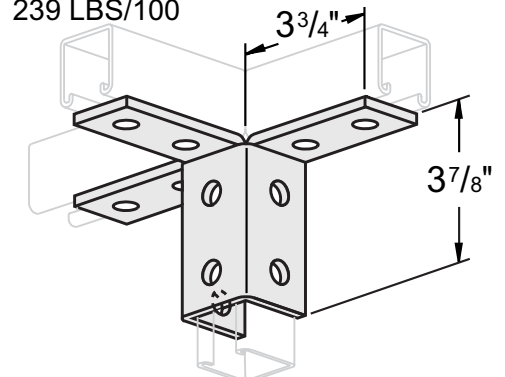
9 HOLE TRIPLE WING CONNECTOR

G351
10/CTN
193 LBS/100



12 HOLE TRIPLE WING CONNECTOR

G329
10/CTN
239 LBS/100



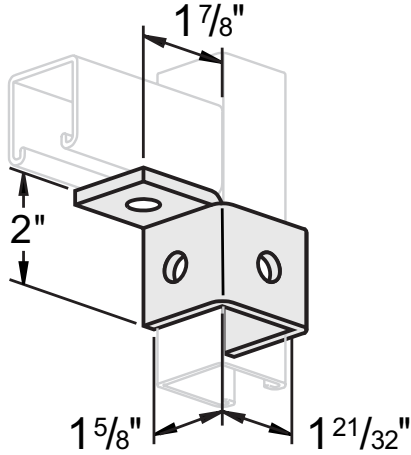
* MATERIAL IS 1-5/8" WIDE x 1/4" THICK UNLESS SPECIFIED • HOLES ARE 9/16" DIAMETER UNLESS SPECIFIED *

WING FITTINGS

FITTINGS & ACCESSORIES

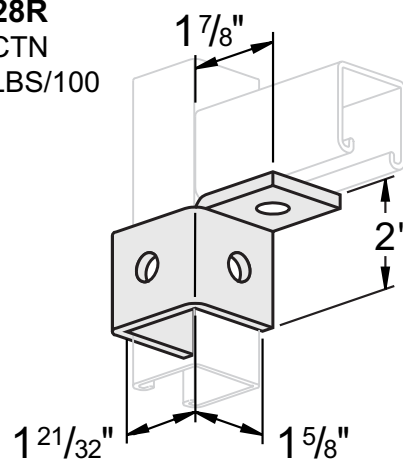
4 HOLE SINGLE WRAP CONNECTOR
(Left Hand)

G328L
15/CTN
70 LBS/100



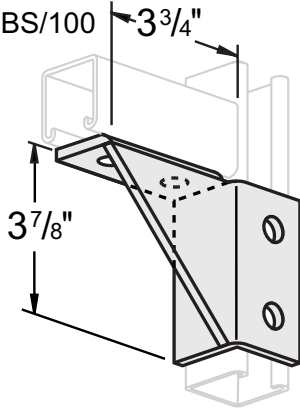
4 HOLE SINGLE WRAP CONNECTOR
(Right Hand)

G328R
15/CTN
70 LBS/100



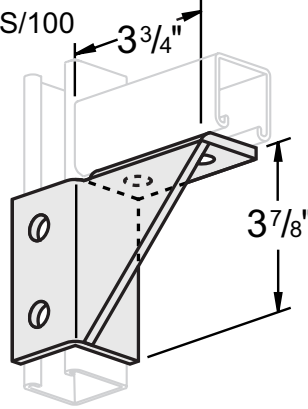
4 HOLE SINGLE CORNER CONNECTOR
(Left Hand)

G343L
10/CTN
176 LBS/100



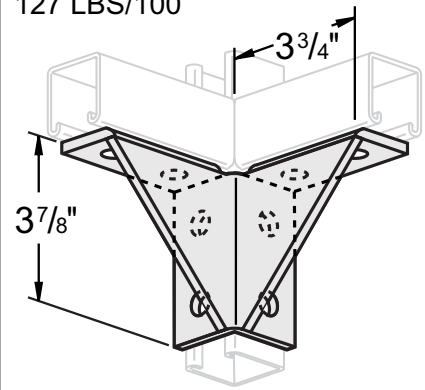
4 HOLE SINGLE CORNER CONNECTOR
(Right Hand)

G343R
10/CTN
176 LBS/100



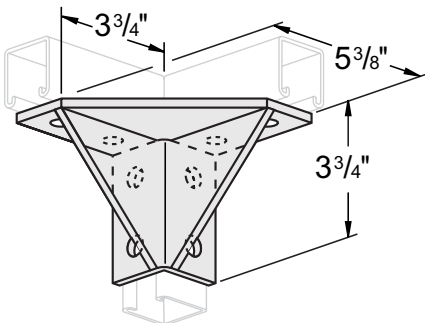
8 HOLE DOUBLE CORNER CONNECTOR

G352
10/CTN
127 LBS/100



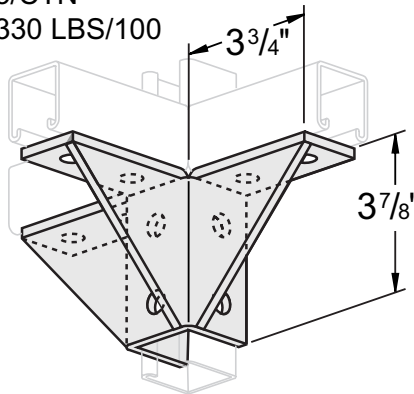
8 HOLE DOUBLE CORNER CONNECTOR

G356
5/CTN
315 LBS/100



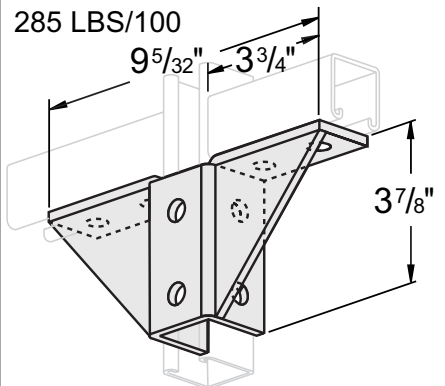
12 HOLE TRIPLE CORNER CONNECTOR

G357
5/CTN
330 LBS/100



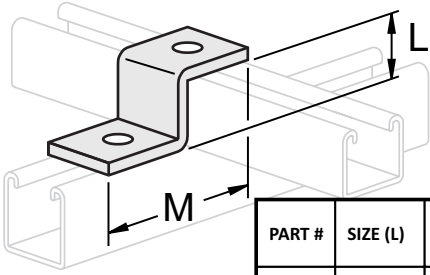
10 HOLE DOUBLE CORNER CONNECTOR

G3271
5/CTN
285 LBS/100



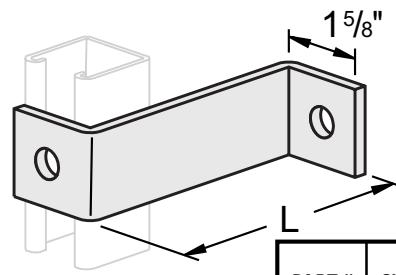
* MATERIAL IS 1-5/8" WIDE x 1/4" THICK UNLESS SPECIFIED • HOLES ARE 9/16" DIAMETER UNLESS SPECIFIED *

2 HOLE Z ANGLE



PART #	SIZE (L)	SIZE (M)	CARTON QTY.	LBS./ 100pcs
G323	1"	3-3/4"	25	47
G3231	2-7/16"	3-3/4"	25	67
G3232	1-3/8"	3-3/4"	25	53
G3233	13/16"	3-3/4"	25	47
G3234	3-1/4"	2-1/8"	25	70
G3235	4-7/8"	2-1/8"	25	90

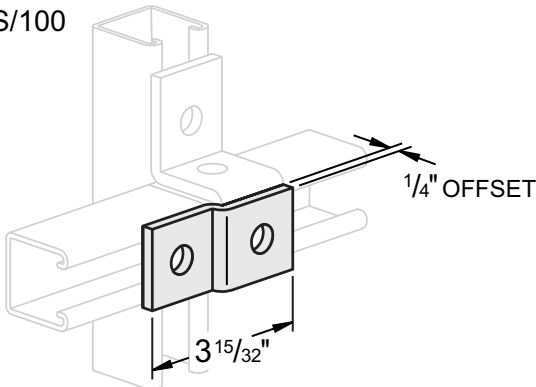
2 HOLE Z ANGLE



PART #	SIZE (L)	CARTON QTY.	LBS./ 100pcs
G34101	4-3/4"	25	89
G34102	3-25/32"	25	78
G34103	2-13/32"	25	62
G34104	6"	25	95

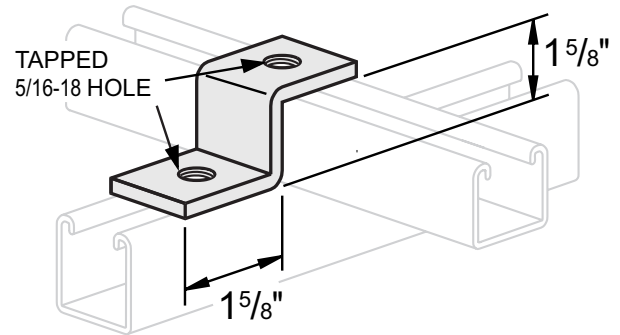
2 HOLE 1/4" OFFSET SUPPORT

G345
25/CTN
38 LBS/100

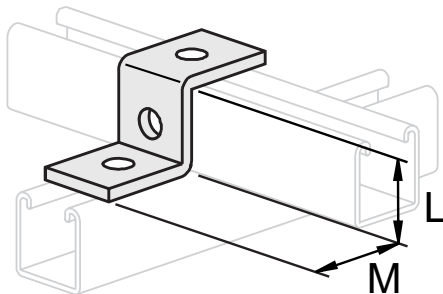


2 HOLE TAPPED Z ANGLE

G347
25/CTN
51 LBS/100



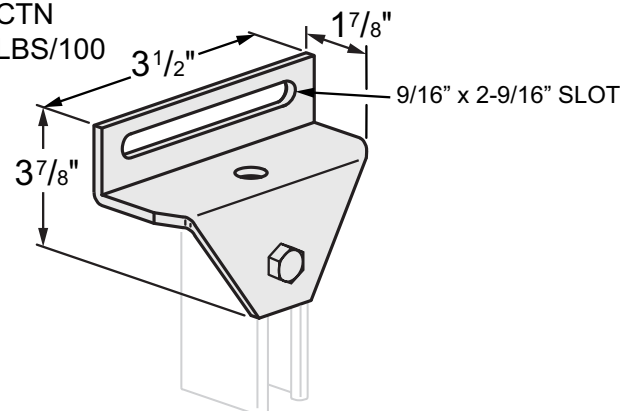
3 HOLE Z ANGLE



PART #	SIZE (L)	SIZE (M)	CARTON QTY.	LBS./ 100pcs
G322	1-5/8"	2-1/8"	25	53
G3221	3-1/4"	1-7/8"	25	70

3 HOLE ADJUSTABLE Z ANGLE

G349
20/CTN
93 LBS/100



* MATERIAL IS 1-5/8" WIDE x 1/4" THICK UNLESS SPECIFIED • HOLES ARE 9/16" DIAMETER UNLESS SPECIFIED *

SPLICE CHANNEL FITTINGS

FITTINGS & ACCESSORIES

2 HOLE SPLICE CHANNEL

PART #	SIZE (L)	CARTON QTY.	LBS./ 100pcs
G6070	1-5/8"	25	128
G6071	13/16"	20	85

3 HOLE SPLICE CHANNEL

G6041
20/CTN
197 LBS/100

4 HOLE SPLICE CHANNEL

PART #	SIZE (L)	CARTON QTY.	LBS./ 100pcs
G6061	1-5/8"	10	230
G6062	13/16"	10	158
G6063	3-1/4"	5	410

INTERNAL SPLICE CHANNEL

SET SCREW INCLUDED

PART #	SIZE (L)	CARTON QTY.	LBS./ 100pcs
GSJ100	1-5/8"	50	50
GSJ110	13/16"	50	50

RACEWAY SPLICE PLATE

- for 13/16" Channel

G606E2
25/CTN
85 LBS/100

4 SCREW INCLUDED

RACEWAY SPLICE PLATE

- for 1-5/8" & 3-1/4" Channel

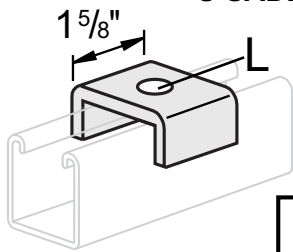
4 SCREW INCLUDED

PART #	SIZE (L)	CARTON QTY.	LBS./ 100pcs
G606E1	1-5/8"	25	134
G606E3	3-1/4"	10	155

* MATERIAL IS 1-5/8" WIDE x 1/4" THICK UNLESS SPECIFIED • HOLES ARE 9/16" DIAMETER UNLESS SPECIFIED *

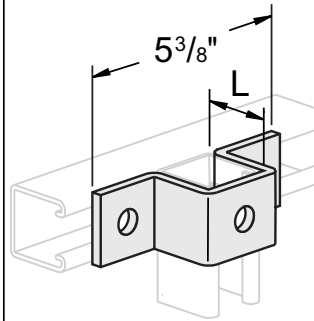
U FITTINGS

U SADDLE WASHER



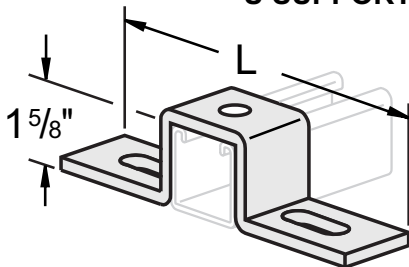
PART #	SIZE (L)	CARTON QTY.	LBS./100pcs
G626	1/4"	50	18
G6262	3/8"	50	18
G6263	1/2"	50	18
G6264	5/8"	50	17
G6265	3/4"	50	17

3 HOLE U SUPPORT



PART #	SIZE (L)	CARTON QTY.	LBS./100pcs
G6091	2-7/16"	15	108
G6092	1-5/8"	25	95
G6093	1-3/8"	25	70
G6094	1"	25	66
G6095	13/16"	25	62
G6096	4-7/8"	10	197
G6097	6-1/2"	10	200

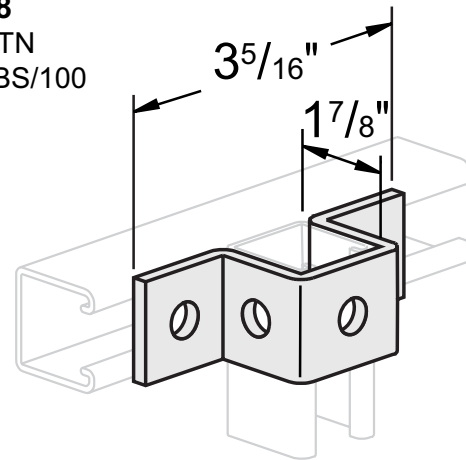
3 HOLE ADJUSTABLE U SUPPORT



PART #	SIZE (L)	CARTON QTY.	LBS./100pcs
G6021	7-1/4"	10	96
G6022	8-1/4"	10	111
G6023	10-3/8"	10	129

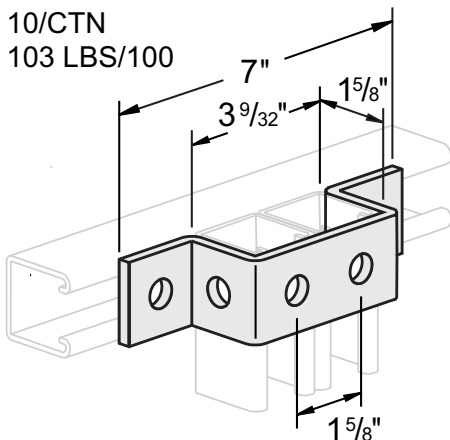
5 HOLE U SUPPORT

G618
15/CTN
71 LBS/100



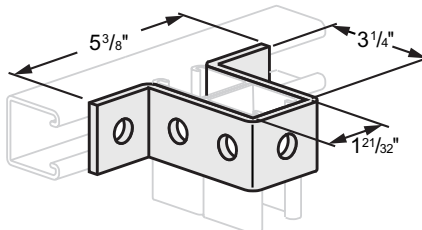
6 HOLE DOUBLE U SUPPORT

G610
10/CTN
103 LBS/100



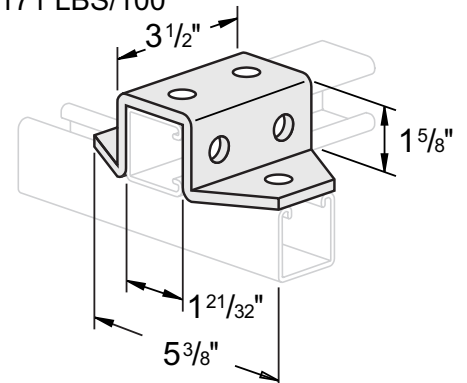
7 HOLE DOUBLE U SUPPORT

G612
25/CTN
121 LBS/100



8 HOLE INTERSECTING U SUPPORT

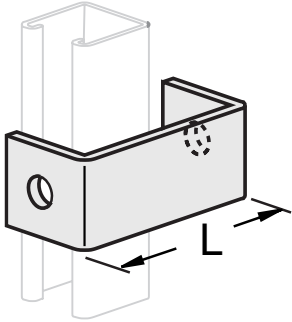
G613
10/CTN
171 LBS/100



* MATERIAL IS 1-5/8" WIDE x 1/4" THICK UNLESS SPECIFIED • HOLES ARE 9/16" DIAMETER UNLESS SPECIFIED *

CLEVIS FITTINGS

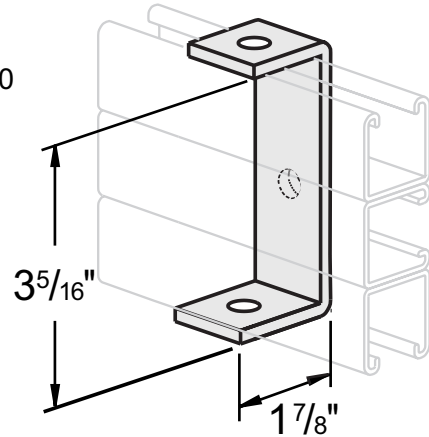
2 HOLE CLEVIS



PART #	SIZE (L)	CARTON QTY.	LBS./ 100pcs
G6221	2-13/32"	25	57
G6222	3-25/32"	25	73
G6223	4-3/4"	25	84
G6224	4"	25	78
G6225	5"	25	89
G6226	6"	25	107
G6227	7"	25	112
G6228	8"	25	124

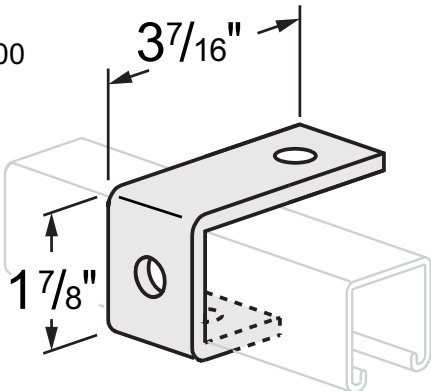
3 HOLE CLEVIS

G623
25/CTN
75 LBS/100



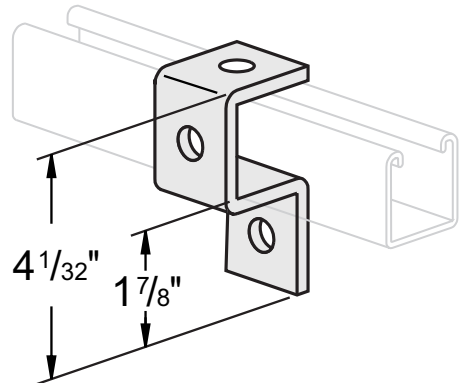
3 HOLE SUSPENSION CLEVIS

G624
25/CTN
75 LBS/100

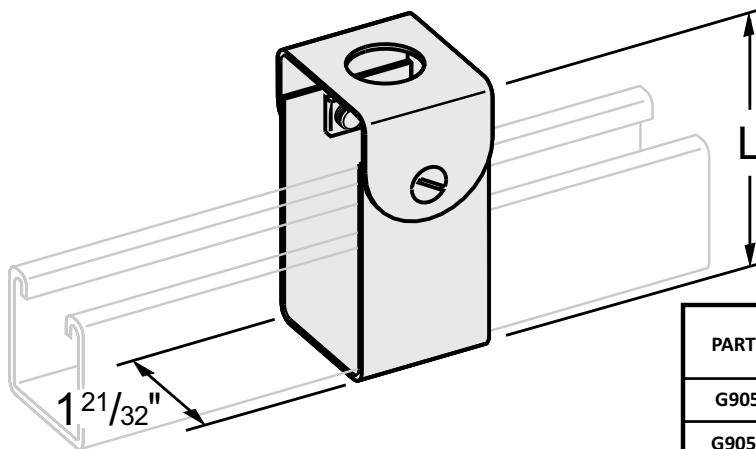


4 HOLE SUSPENSION CLEVIS

G625
25/CTN
76 LBS/100



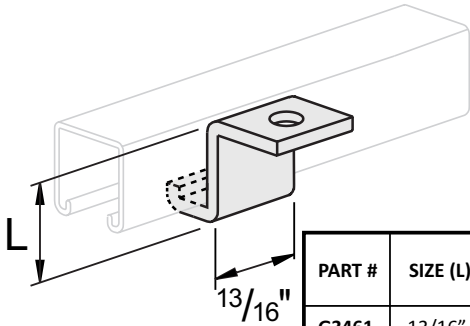
DOUBLE CLEVIS HANGERS



PART #	USE WITH CHANNEL	SIZE (L)	CARTON QTY.	LBS./ 100pcs
G905	13/16" & 1"	2-3/16"	25	34
G9051	1-5/8"	3-1/2"	25	40

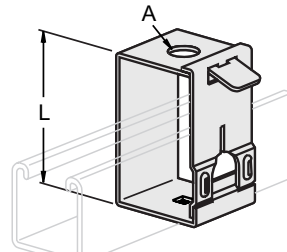
* MATERIAL IS 1-5/8" WIDE x 1/4" THICK UNLESS SPECIFIED • HOLES ARE 9/16" DIAMETER UNLESS SPECIFIED *

CHANNEL HANGER



PART #	SIZE (L)	CARTON QTY.	LBS./100pcs
G3461	13/16"	100	7
G3462	1-5/8"	100	9
G3463	2-7/16"	100	11
G3464	3-1/4"	100	13

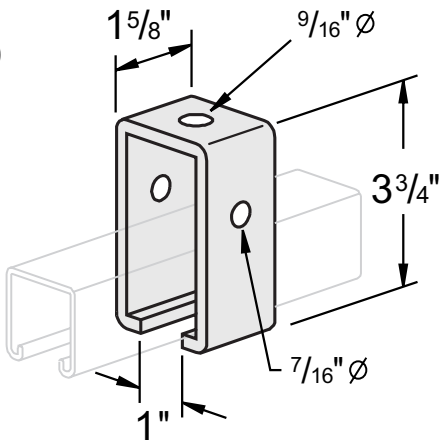
SWING GATE HANGER



PART #	USE WITH CHANNEL	Ø (A)	SIZE (L)	CARTON QTY.	LBS./100pcs
G906	1-5/8"	9/16"	3-1/8"	20	23
G9061	1-5/8"	7/8"	3-1/8"	20	25
G9062	3-1/4"	9/16"	4-1/4"	20	30
G9063	3-1/4"	7/8"	4-1/4"	20	30

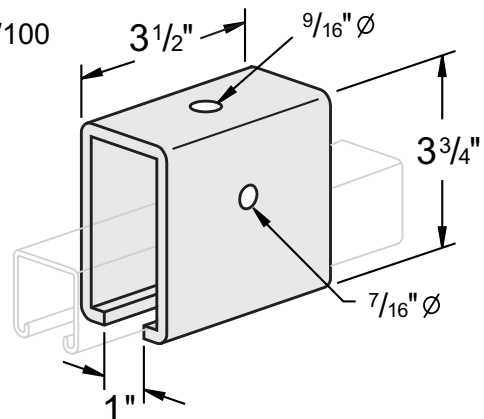
3 HOLE VERTICAL 1-5/8" CHANNEL U SUPPORT

G611
20/CTN
120 LBS/100



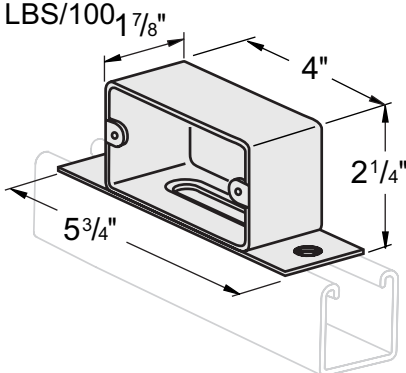
3 HOLE TROLLEY BEAM JOINT SUPPORT

G6111
10/CTN
220LBS/100



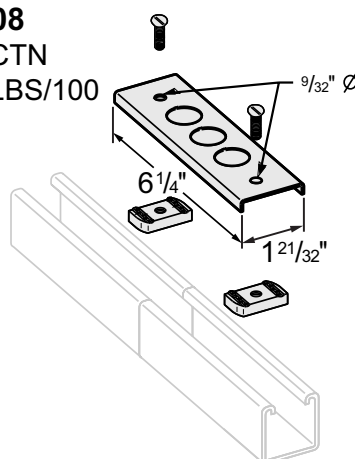
HANDY OUTLET BOX

G907
20/CTN
85 LBS/100

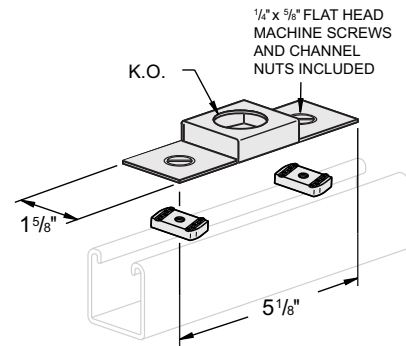


CONNECTION PLATE W/ 3 7/8" KNOCKOUTS

G908
50/CTN
35 LBS/100



CONDUIT CONNECTOR



PART #	SIZE	HOLE SIZE	CARTON QTY.	LBS./100pcs
G909	1/2"	7/8"	25	28
G9091	3/4"	1-3/32"	25	28

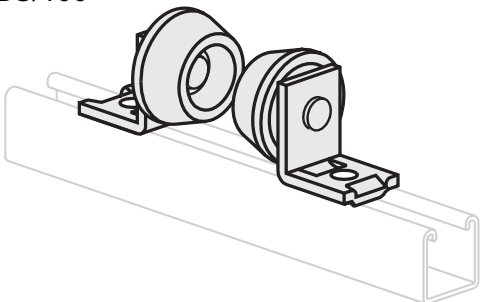
* FINISH: ELECTRO GALVANIZED *

PIPE ROLLER & TROLLEY HARDWARE

FITTINGS & ACCESSORIES

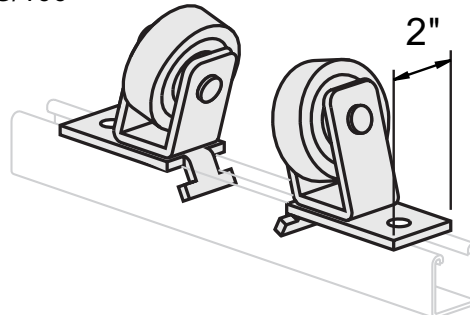
**2 ROLLER NO SWIVEL ADJ.
PIPE SUPPORT 1" - 8"**

G901
BULK/CTN
150 LBS/100



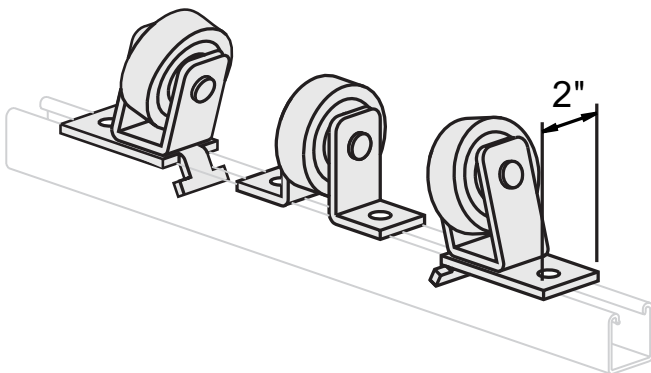
**2 ROLLER ADJUSTABLE
PIPE SUPPORT 6" - 18"**

G902
BULK/CTN
397 LBS/100

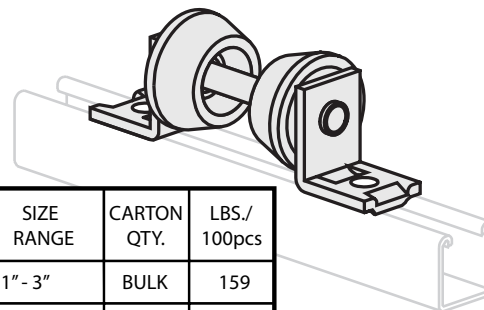


**3 ROLLER ADJUSTABLE
PIPE SUPPORT 20" - 30"**

G903
BULK/CTN
587 LBS/100



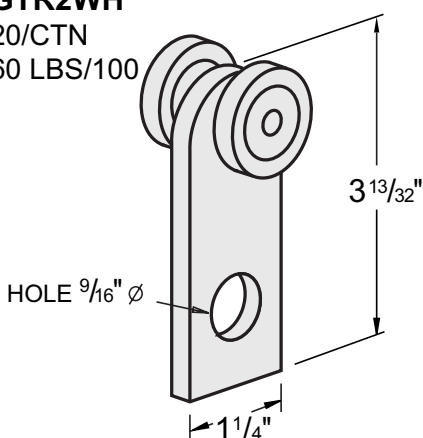
PIPE ROLLER ASSEMBLY



PART #	SIZE RANGE	CARTON QTY.	LBS./ 100pcs
G9041	1" - 3"	BULK	159
G9042	2-1/2" - 4"	BULK	166
G9043	4" - 6"	BULK	179
G9044	6" - 8"	BULK	182
G9045	9" - 10"	BULK	190
G9046	12"	BULK	193

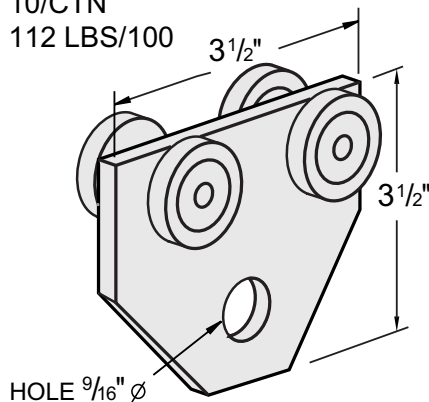
**1 HOLE 2 WHEEL
TROLLEY**

GTR2WH
20/CTN
60 LBS/100



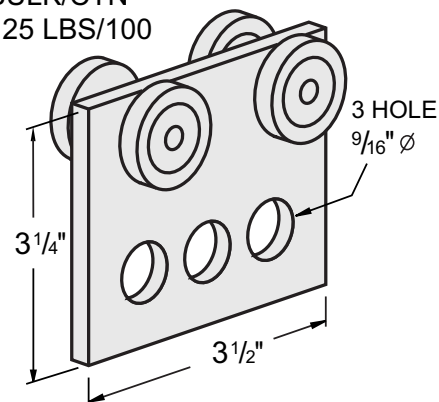
**1 HOLE 4 WHEEL
TROLLEY**

GTR4WH
10/CTN
112 LBS/100



**3 HOLE 4 WHEEL
TROLLEY**

GTR4WHU
BULK/CTN
125 LBS/100



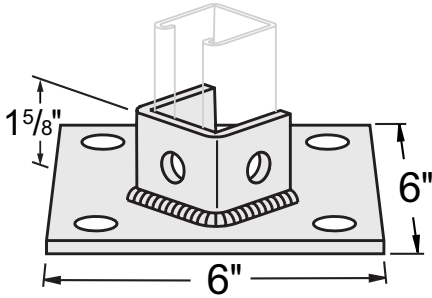
* MATERIAL IS 1-5/8" WIDE x 1/4" THICK UNLESS SPECIFIED • HOLES ARE 9/16" DIAMETER UNLESS SPECIFIED *

POST BASES

FITTINGS & ACCESSORIES

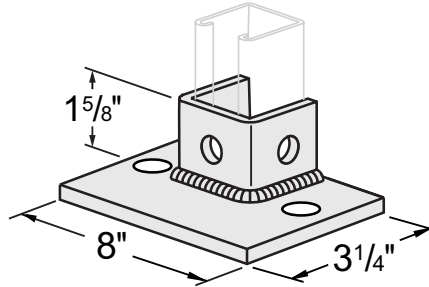
**7 HOLE SINGLE POST
BASE DIAGONAL**

G619
6/CTN
275 LBS/100



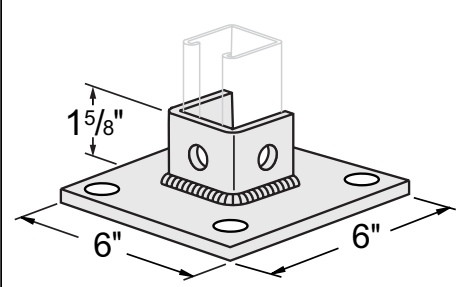
**5 HOLE SINGLE
POST BASE FLUSH**

G619FL
6/CTN
230LBS/100



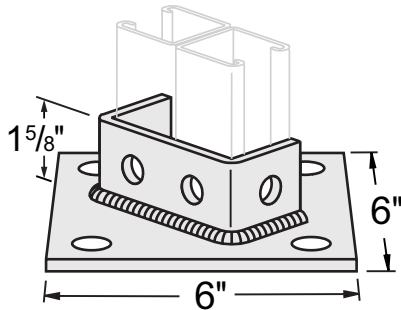
**7 HOLE SINGLE
POST BASE**

G619SQ
6/CTN
275 LBS/100



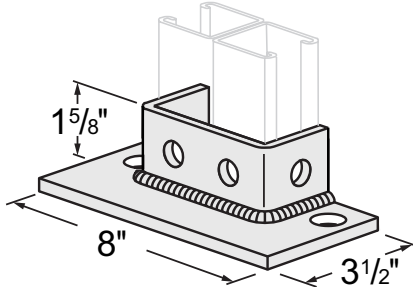
**8 HOLE DOUBLE POST
BASE DIAGONAL**

G619A
6/CTN
325 LBS/100



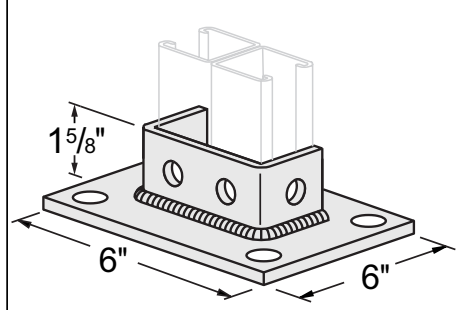
**6 HOLE DOUBLE
POST BASE FLUSH**

G619AFL
6/CTN
250 LBS/100



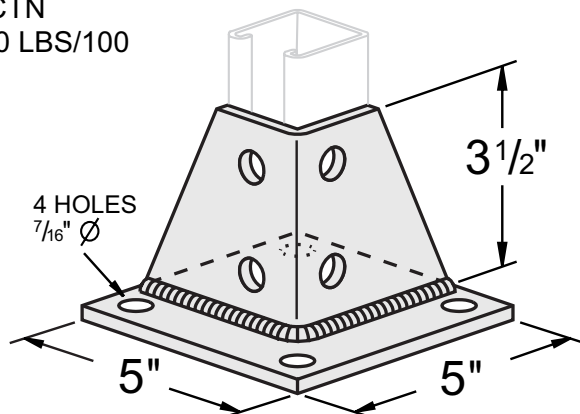
**8 HOLE DOUBLE
POST BASE**

G619ASQ
6/CTN
307 LBS/100



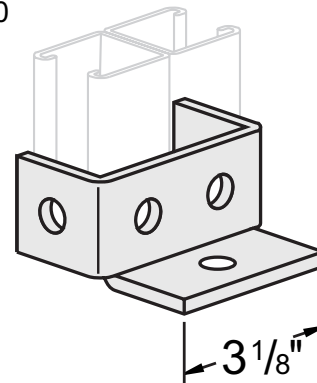
**8 HOLE GUSSETED
POST BASE**

G621
5/CTN
290 LBS/100



**5 HOLE DOUBLE
CHANNEL POST BASE**

G621A
5/CTN
130 LBS/100



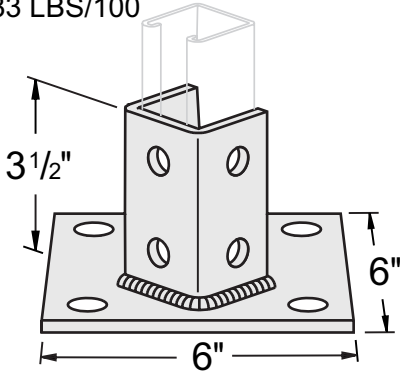
* MATERIAL IS 1-5/8" WIDE x 1/4" THICK UNLESS SPECIFIED • HOLES ARE 9/16" DIAMETER UNLESS SPECIFIED *

POST BASES

FITTINGS & ACCESSORIES

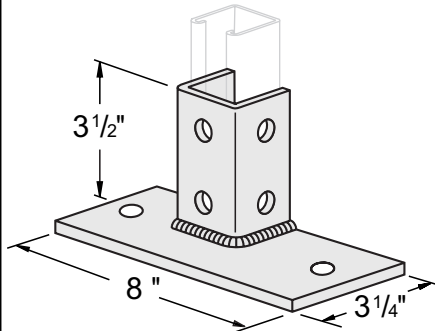
**10 HOLE SINGLE POST
BASE DIAGONAL**

G620
6/CTN
333 LBS/100



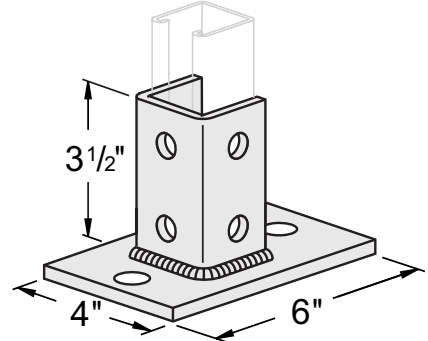
**8 HOLE SINGLE
POST BASE FLUSH**

G620FL
6/CTN
312 LBS/100



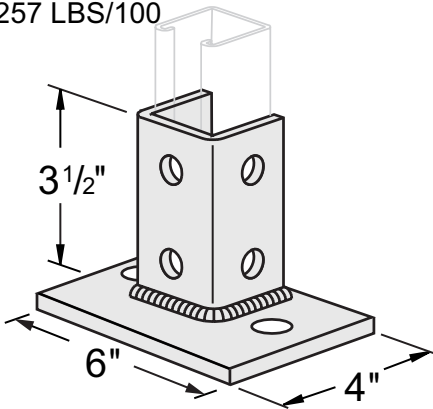
**6 HOLE SINGLE
POST BASE**

G620FL1
6/CTN
257 LBS/100



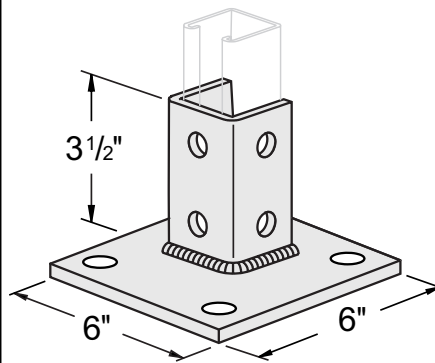
**6 HOLE SINGLE POST
BASE FLUSH**

G620FL2
6/CTN
257 LBS/100



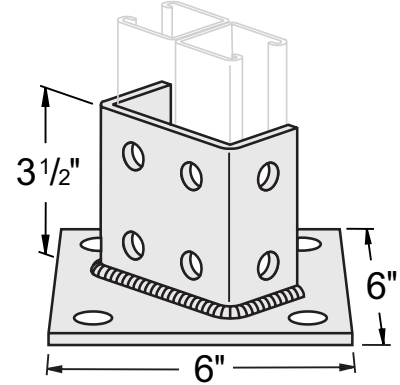
**10 HOLE SINGLE
POST BASE**

G620SQ
6/CTN
333 LBS/100



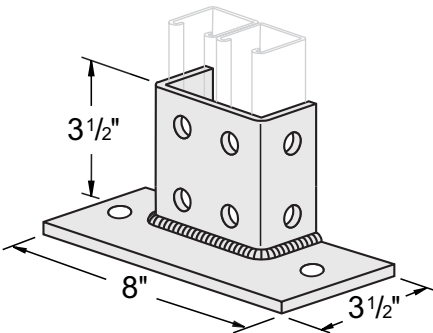
**12 HOLE DOUBLE
POST BASE DIAGONAL**

G620A
6/CTN
375 LBS/100



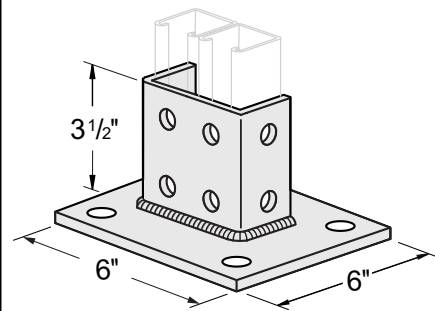
**10 HOLE DOUBLE
POST BASE FLUSH**

G620AFL
6/CTN
320 LBS/100



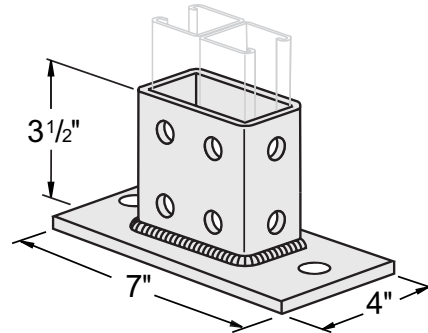
**12 HOLE DOUBLE
POST BASE**

G620ASQ
6/CTN
375 LBS/100



**14 HOLE CLOSED
DOUBLE POST BASE**

G620ASQ1
5/CTN
311 LBS/100

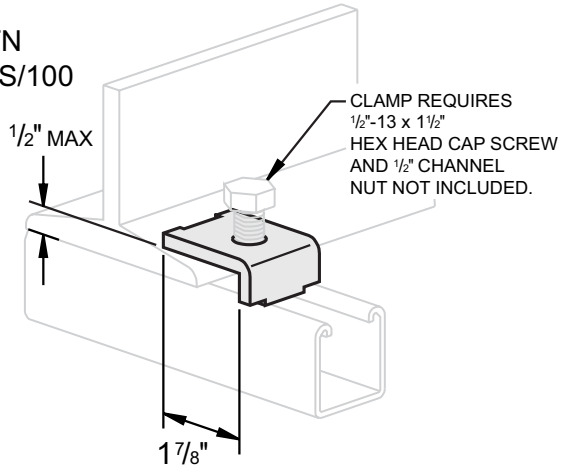


* MATERIAL IS 1-5/8" WIDE x 1/4" THICK UNLESS SPECIFIED • HOLES ARE 9/16" DIAMETER UNLESS SPECIFIED *

BEAM CLAMPS

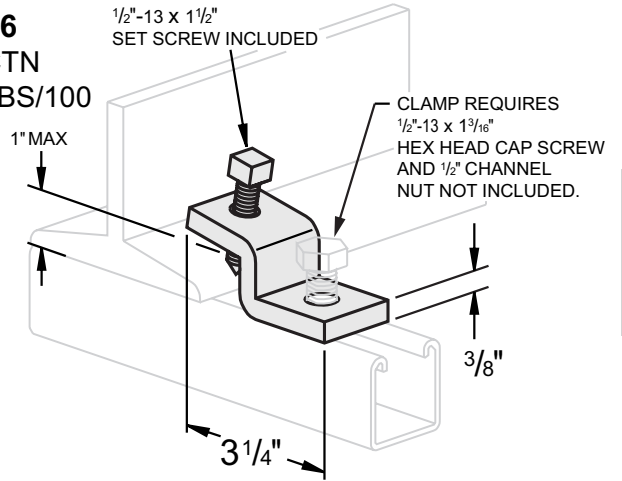
SINGLE BOLT SLOT HOLD BEAM CLAMP

G403
50/CTN
30 LBS/100

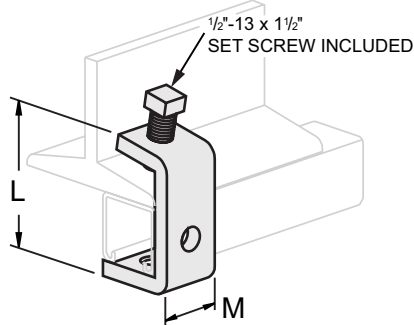


FLANGE CONTACT BEAM CLAMP

G406
25/CTN
62 LBS/100



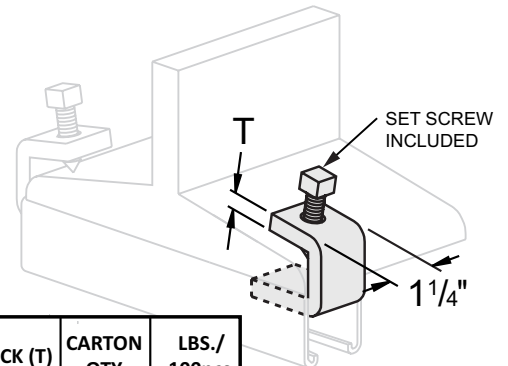
HEAVY DUTY FLANGE BEAM CLAMP



PART #	SIZE (L)	SIZE (M)	CARTON QTY.	LBS./100pcs
G407	2"	1-1/8"	25	90
G4071	2-1/2"	1-1/2"	25	94

HEAVY DUTY FLANGE BEAM CLAMP

- for Flanges Up To 7/8" Thick

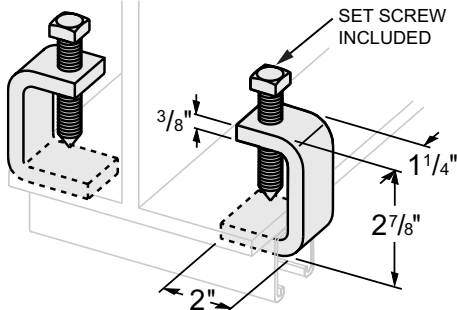


PART #	THICK (T)	CARTON QTY.	LBS./100pcs
G4081/4	1/4"	50	39
G4083/8	3/8"	25	58

HEAVY DUTY FLANGE BEAM CLAMP

- for Flanges Up To 7/8" - 2" Thick

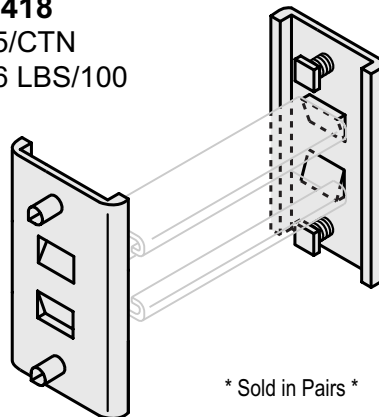
G409
25/CTN
79 LBS/100



COLUMN CLAMP

- for 13/16" Channel

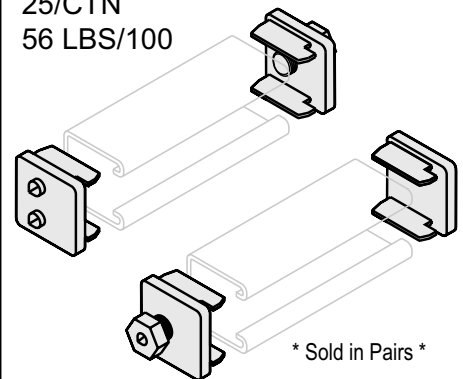
G418
25/CTN
56 LBS/100



COLUMN CLAMP

- for 1-5/8" Channel

G419
25/CTN
56 LBS/100

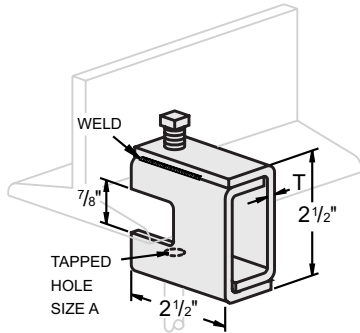


* MATERIAL IS 1-5/8" WIDE x 1/4" THICK UNLESS SPECIFIED HOLES ARE 9/16" DIAMETER UNLESS SPECIFIED *

BEAM CLAMPS

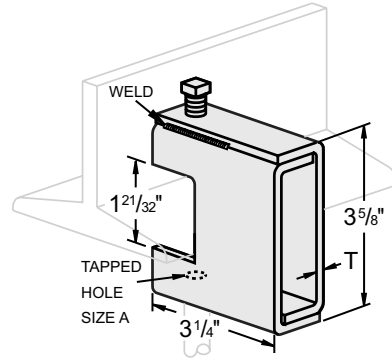
FITTINGS & ACCESSORIES

BEAM CLAMP WITH 7/8" JAW OPENING



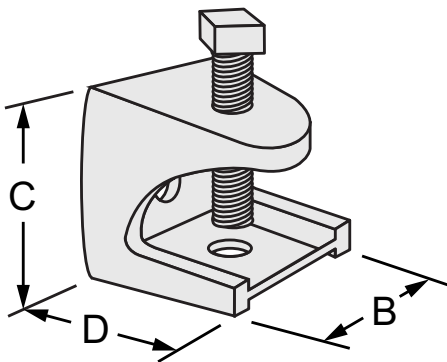
PART #	ROD SIZE (A)	CLAMP THICKNESS (T)	CARTON QTY.	LBS./ 100pcs
G4102	1/4	1/8"	10	71
G4103	3/8	1/8"	10	72
G4104	3/8	3/16"	10	97
G4105	1/2	3/16"	10	97
G4106	1/2	1/4"	10	131
G4107	5/8	1/4"	10	131
G4108	5/8	5/16"	10	160
G4109	3/4	5/16"	10	160

BEAM CLAMP WITH 1-21/32" JAW OPENING



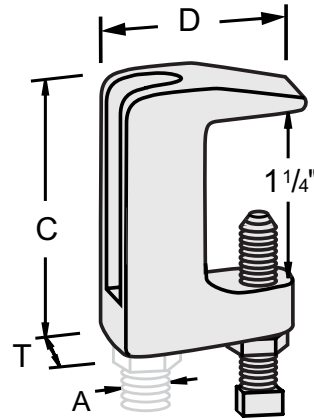
PART #	ROD SIZE (A)	CLAMP THICKNESS (T)	CARTON QTY.	LBS./ 100pcs
G4110	1/4	1/8"	10	113
G4111	3/8	1/8"	10	113
G4111B	3/8	3/16"	10	151
G4112	1/2	3/16"	10	151
G4112B	1/2	1/4"	10	205
G4113	5/8	5/16"	10	246

ROD INSULATOR DUCTILE BEAM CLAMP (Electricians Clamp)



PART #	ROD SIZE	WIDE (B)	DEEP (D)	HIGH (C)	MAX FLANGE	CARTON QTY.	LBS./ 100pcs
G4121	1/4	1-1/8"	1-1/4"	1-3/8"	5/8"	100	22
G4122	3/8	2"	2"	1-3/4"	3/4"	25	70
G4123	1/2	2-5/16"	2-1/8"	2-1/8"	7/8"	25	120

WIDE THROAT DUCTILE BEAM CLAMP (Large Mouth) Finish: Plain



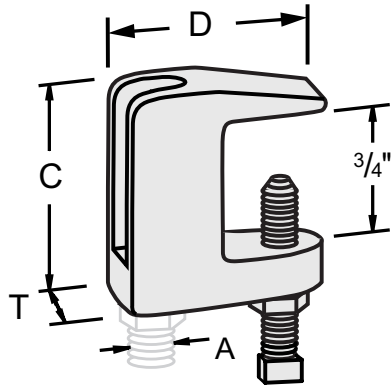
* Designate EG in Part#, if Electro-Galvanized Finish is Desired *

PART #	ROD SIZE (A)	THICKNESS (T)	HIGH (C)	DEEP (D)	CARTON QTY.	LBS./ 100pcs
G4131	3/8	15/16"	2"	1-3/4"	50	37
G4132	1/2	15/16"	2-1/8"	1-3/4"	50	42
G4133	5/8	1-1/4"	2-1/4"	2-3/8"	50	80
G4134	3/4	1-3/8"	2-1/2"	2-1/2"	50	95

* MATERIAL: STEEL (UNLESS SPECIFIED) • FINISH: ELECTRO-GALVANIZED (UNLESS SPECIFIED) *

BEAM CLAMPS

UNIVERSAL DUCTILE BEAM CLAMP (Small Mouth)

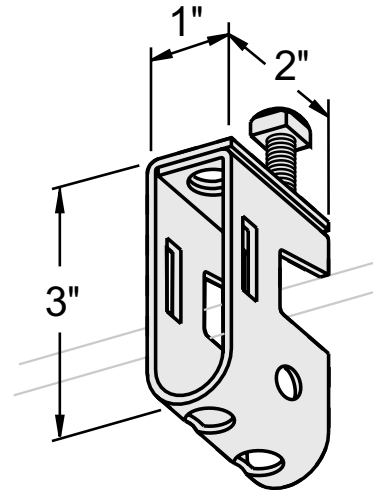


* Designate EG in Part#, if Electro-Galvanized Finish is Desired *

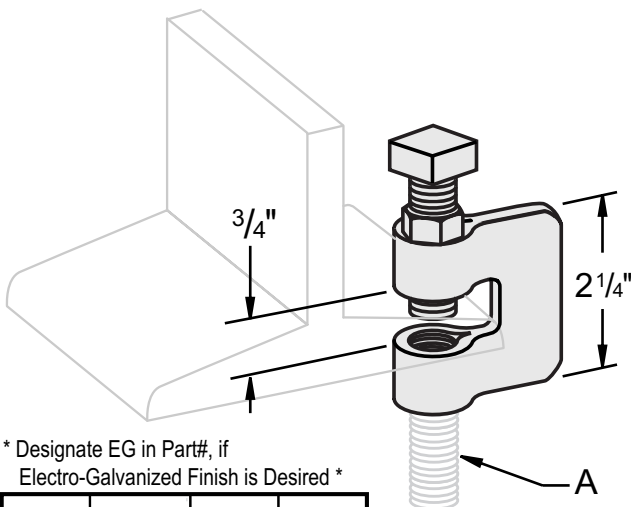
PART #	ROD SIZE (A)	THICKNESS (T)	HIGH (C)	DEEP (D)	CARTON QTY.	LBS./ 100pcs
G4142	3/8	13/16"	1-5/8"	1-7/8"	100	28
G4143	1/2	1-1/8"	1-3/4"	1-3/4"	100	40
G4144	5/8	1-1/8"	1-7/8"	1-7/8"	50	43
G4145	3/4	1-5/16"	1-7/8"	2-3/8"	50	69
G4146	7/8	1-5/16"	1-7/8"	2-3/8"	25	69

3/4" MAXIMUM FLANGE BEAM CLAMP Finish: Electro-Galvanized

G415
25/CTN
36 LBS/100



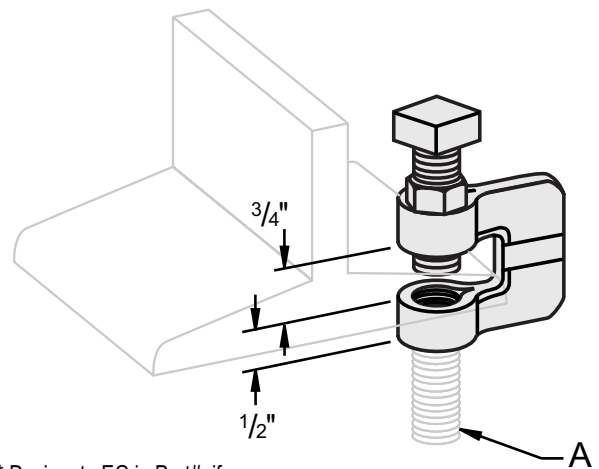
STEEL C-CLAMP WITH LOCK NUT



* Designate EG in Part#, if Electro-Galvanized Finish is Desired *

PART #	ROD SIZE (A)	CARTON QTY.	LBS./ 100pcs
G416	3/8	100	45
G4161	1/2	100	46
G4162	5/8	50	66
G4163	3/4	50	86
G4164	7/8	25	176

DUCTILE C-CLAMP WITH LOCK NUT



* Designate EG in Part#, if Electro-Galvanized Finish is Desired *

PART #	ROD SIZE (A)	CARTON QTY.	LBS./ 100pcs
G417	3/8	100	26
G4171	1/2	100	29
G4172	5/8	50	72
G4173	3/4	50	98

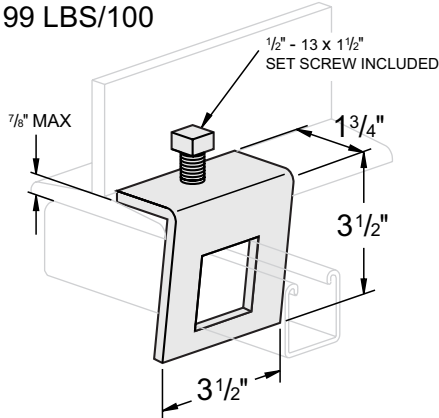
* MATERIAL: STEEL (UNLESS SPECIFIED) • FINISH: Plain (UNLESS SPECIFIED) *

U-BOLTS & U-BOLT BEAM CLAMPS

FITTINGS & ACCESSORIES

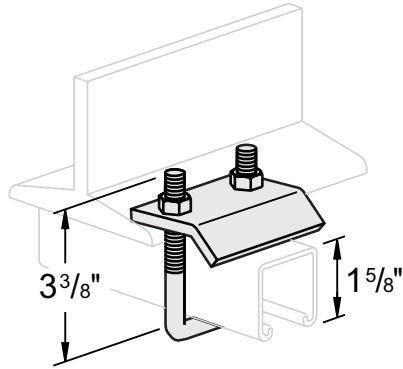
BEAM CLAMP - PIERCED

G401
25/CTN
99 LBS/100

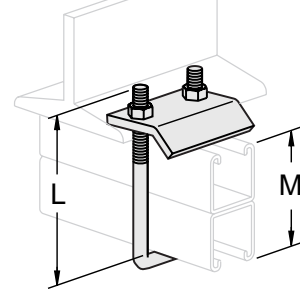


U-BOLT BEAM CLAMP - for Single Channel

G402
25/CTN
69 LBS/100

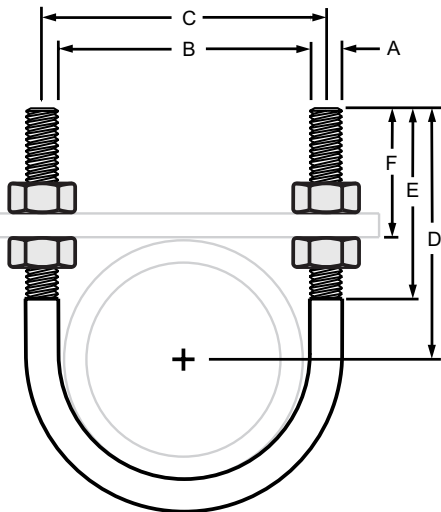


U-BOLT BEAM CLAMP - for Double Channel



PART #	SIZE (L)	SIZE (M)	CARTON QTY.	LBS./100pcs
G4021	5"	3-1/4"	25	78
G4026	6-5/8"	4-7/8"	25	81
G4028	8-1/4"	6-1/2"	25	93

U-BOLT

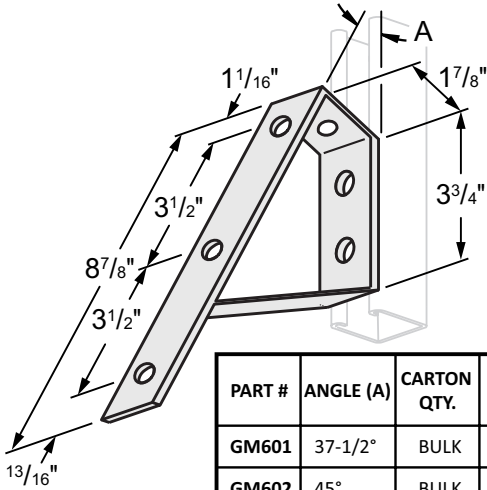


PART #	PIPE SIZE	ROD SIZE (A)	B	C	D	E	F	CARTON QTY.	LBS./100PCS
GUB050	1/2	1/4"	15/16"	1-3/16"	2-3/4"	2-1/8"	2-5/16"	100	11
GUB075	3/4		1-1/8"	1-3/8"			2-7/32"	100	12
GUB100	1		1-3/8"	1-5/8"			2-3/32"	100	12
GUB125	1-1/4	3/8"	1-11/16"	2-1/16"	2-7/8"	2-1/2"	2-1/32"	50	28
GUB150	1-1/2		2"	2-3/8"	3"		2-1/16"	50	30
GUB200	2		2-7/16"	2-13/16"	3-1/4"		50	33	
GUB250	2-1/2	1/2"	2-15/16"	3-7/16"	3-3/4"	3"	2-5/16"	25	73
GUB300	3		3-9/16"	4-1/16"	4"		25	78	
GUB350	3-1/2		4-1/16"	4-9/16"	4-1/4"		25	84	
GUB400	4		4-9/16"	5-1/16"	4-1/2"		25	90	
GUB500	5		5-5/8"	6-1/8"	5"		10	101	
GUB600	6	5/8"	6-3/4"	7-3/8"	6-1/8"	3-3/4"	2-13/16"	10	200
GUB800	8		8-3/4"	9-3/8"	7-1/8"		10	233	
GUB1000	10	3/4"	10-7/8"	11-5/8"	8-3/8"	4"	3"	BULK	491
GUB1200	12	7/8"	12-7/8"	13-3/4"	9-5/8"		4-1/4"	3-1/4"	BULK
GUB1400	14		14-1/8"	15"	10-1/4"	BULK			830
GUB1600	16		16-1/8"	17"	11-1/4"	BULK			920
GUB1800	18	1"	18-1/8"	19-1/8"	12-5/8"	4-3/4"	3-5/8"	BULK	1350
GUB2000	20		20-1/8"	21-1/8"	13-5/8"			BULK	1460
GUB2400	24		24-1/8"	25-1/8"	15-5/8"			BULK	1690

* MATERIAL IS 1-5/8" WIDE x 1/4" THICK UNLESS SPECIFIED • HOLES ARE 9/16" DIAMETER UNLESS SPECIFIED *

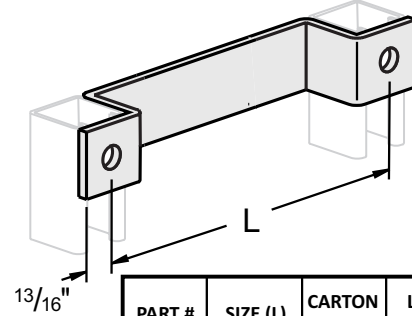
BRACKET FITTINGS

6 HOLE STAIR SUPPORT



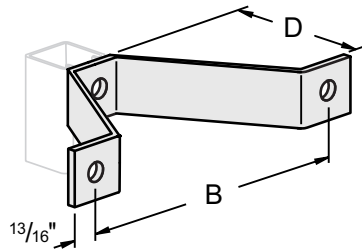
PART #	ANGLE (A)	CARTON QTY.	LBS./100pcs
GM601	37-1/2°	BULK	206
GM602	45°	BULK	220

2 HOLE LADDER RUNG



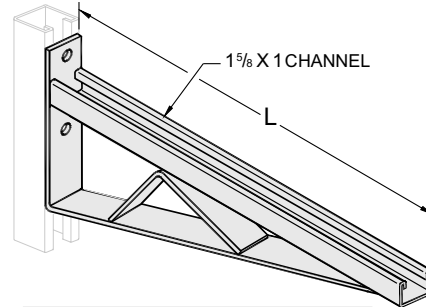
PART #	SIZE (L)	CARTON QTY.	LBS./100pcs
GM6101	12"	BULK	176
GM6102	15"	BULK	202
GM6103	18"	BULK	234

3 HOLE WALL BRACKET



PART #	WIDE (B)	DEEP (D)	CARTON QTY.	LBS./100pcs
GM6111	6"	2-3/8"	BULK	164
GM6112	8"	4-3/8"	BULK	200
GM6113	10"	6-3/8"	BULK	253
GM6114	12"	8-3/8"	BULK	272
GM6115	14"	10-3/8"	BULK	318

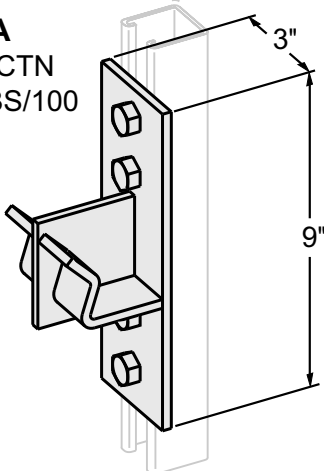
SINGLE BRACED BRACKET



PART #	SIZE (L)	CARTON QTY.	LBS./100pcs
GT6251	12"	BULK	388
GT6252	18"	BULK	506
GT6253	24"	BULK	673

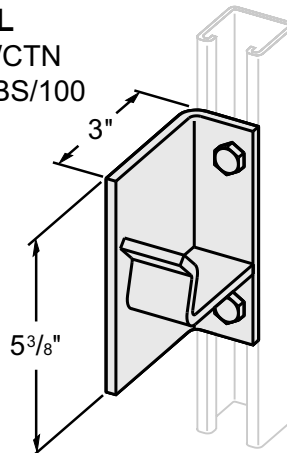
4 HOLE DOUBLE AXEL SUPPORT - 1-1/2" PIPE

G605A
BULK/CTN
326 LBS/100



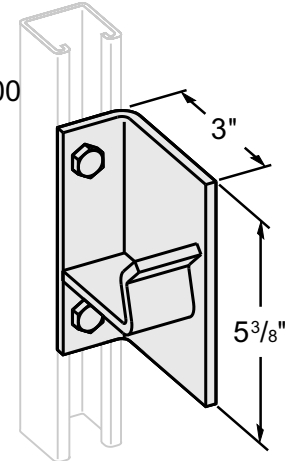
2 HOLE AXLE SUPPORT (Left Hand)

G605L
BULK/CTN
225 LBS/100



2 HOLE AXLE SUPPORT (Right Hand)

G605R
BULK/CTN
225 LBS/100

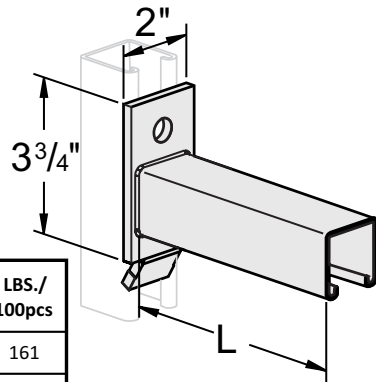


* MATERIAL IS 1-5/8" WIDE x 1/4" THICK UNLESS SPECIFIED HOLES ARE 9/16" DIAMETER UNLESS SPECIFIED *

BRACKET FITTINGS

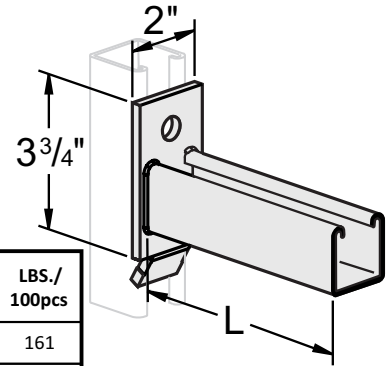
FITTINGS & ACCESSORIES

NO SWIVEL CHANNEL BRACKET OPEN DOWN



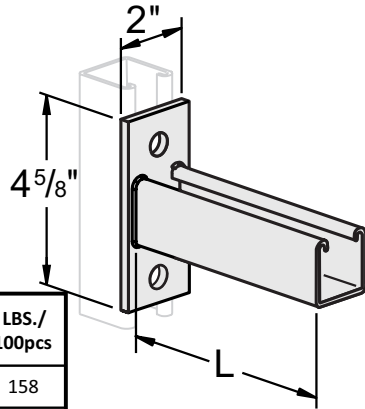
PART #	SIZE (L)	CARTON QTY.	LBS./ 100pcs
GT6091	6"	10	161
GT6092	12"	10	261
GT6093	18"	5	361
GT6094	24"	5	461

NO SWIVEL CHANNEL BRACKET OPEN UP



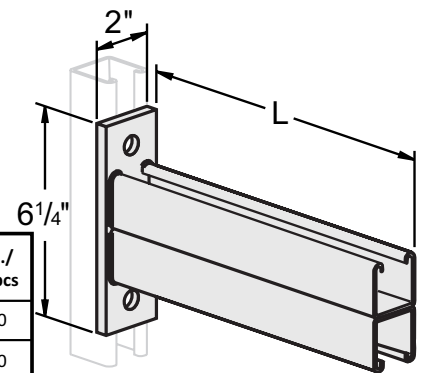
PART #	SIZE (L)	CARTON QTY.	LBS./ 100pcs
GT6181	6"	10	161
GT6182	12"	10	261
GT6183	18"	5	361
GT6184	24"	5	461

SINGLE CHANNEL FLAT PLATE BRACKET



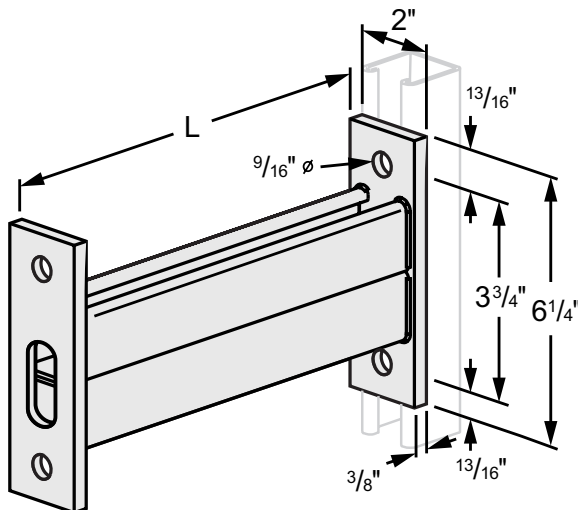
PART #	SIZE (L)	CARTON QTY.	LBS./ 100pcs
GT6121	6"	10	158
GT6122	12"	10	239
GT6123	18"	5	401
GT6124	24"	5	509

DOUBLE CHANNEL FLAT PLATE BRACKET



PART #	SIZE (L)	CARTON QTY.	LBS./ 100pcs
GT61112	12"	BULK	490
GT61118	18"	BULK	670
GT61124	24"	BULK	860
GT61130	30"	BULK	1050
GT61136	36"	BULK	1240
GT61142	42"	BULK	1430

DOUBLE CHANNEL STANCHION BRACKET



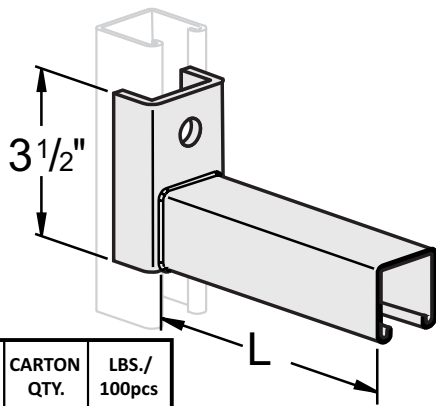
PART #	SIZE (L)	CARTON QTY.	LBS./ 100pcs
GT6101	24"	BULK	960
GT6102	30"	BULK	1150
GT6103	36"	BULK	361
GT6104	42"	BULK	461
GT6105	48"	BULK	461

* MATERIAL IS 1-5/8" WIDE x 1/4" THICK UNLESS SPECIFIED • HOLES ARE 9/16" DIAMETER UNLESS SPECIFIED *

BRACKET FITTINGS

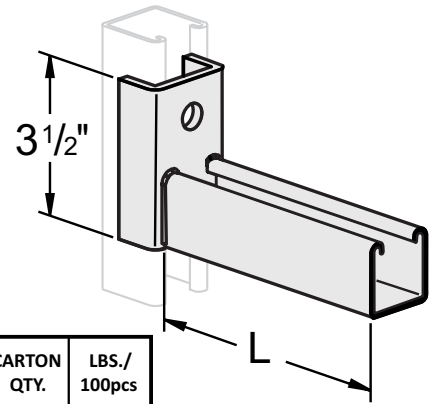
FITTINGS & ACCESSORIES

CLEVIS BRACKET OPENING DOWN



PART #	SIZE (L)	CARTON QTY.	LBS./ 100pcs
GT613	6"	10	191
GT6131	12"	10	292

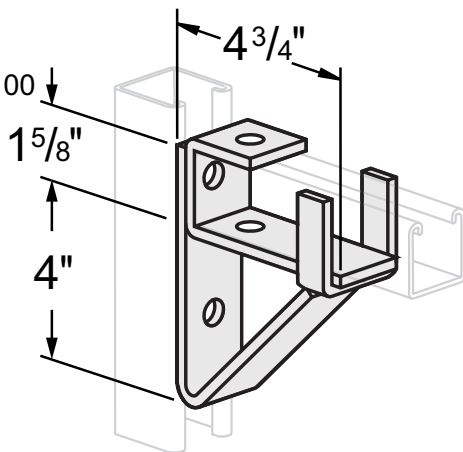
CLEVIS BRACKET OPENING UP



PART #	SIZE (L)	CARTON QTY.	LBS./ 100pcs
GT614	6"	10	191
GT6141	12"	10	292

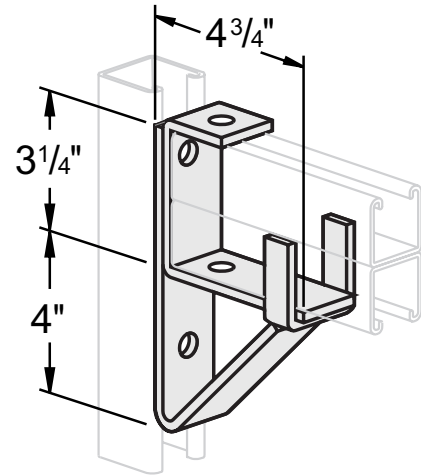
SINGLE CHANNEL BRACKET SUPPORT

GT615
10/CTN
235 LBS/100



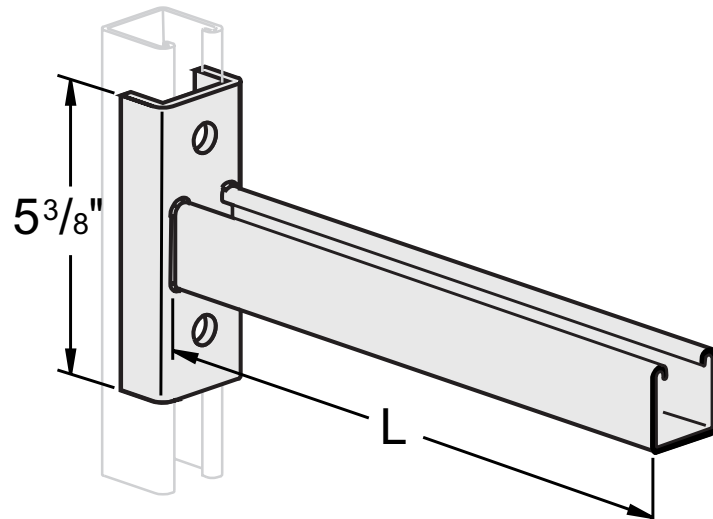
DOUBLE CHANNEL BRACKET SUPPORT

GT616
BULK/CTN
275 LBS/100



SINGLE CHANNEL REVERSIBLE CLEVIS BRACKET

PART #	SIZE (L)	CARTON QTY.	LBS./ 100pcs
GT6171	18"	5	436
GT6172	24"	5	536



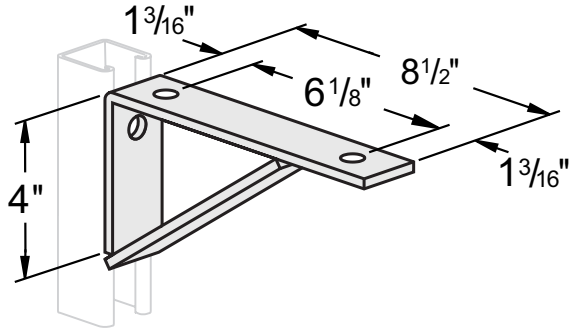
* MATERIAL IS 1-5/8" WIDE x 1/4" THICK UNLESS SPECIFIED* HOLES ARE 9/16" DIAMETER UNLESS SPECIFIED *

SHELF BRACKETS

FITTINGS & ACCESSORIES

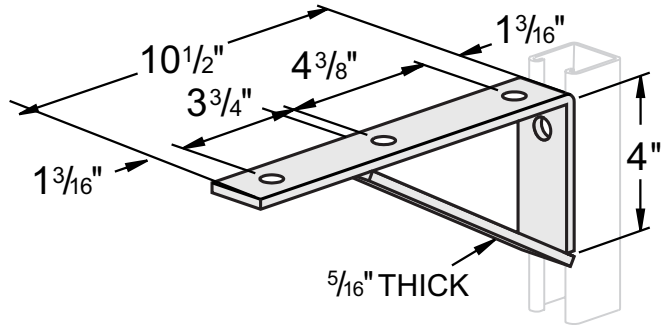
3 HOLE HEAVY DUTY SHELF BRACKET

GT6191
BULK/CTN
175 LBS/100

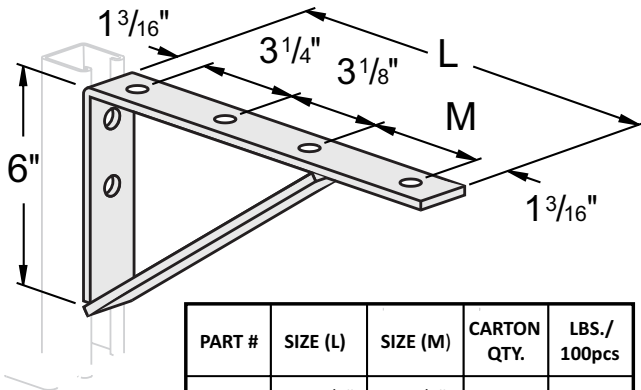


4 HOLE HEAVY DUTY SHELF BRACKET

GT6192
BULK/CTN
200 LBS/100

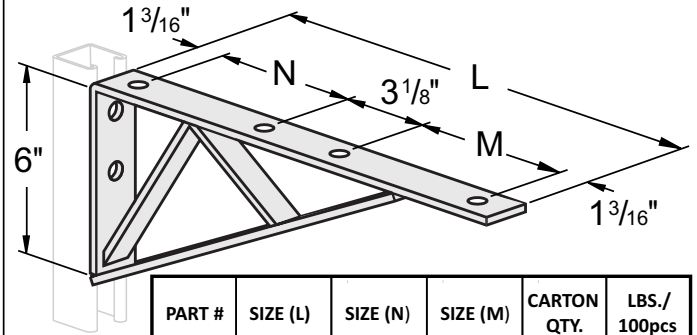


6 HOLE HEAVY DUTY SHELF BRACKET



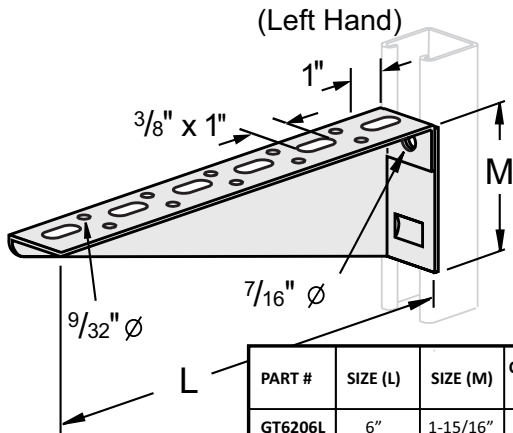
PART #	SIZE (L)	SIZE (M)	CARTON QTY.	LBS./ 100pcs
GT6193	12-1/2"	3-3/4"	BULK	260
GT6194	14-1/2"	5-3/4"	BULK	295

6 HOLE HEAVY DUTY BRACED SHELF BRACKET



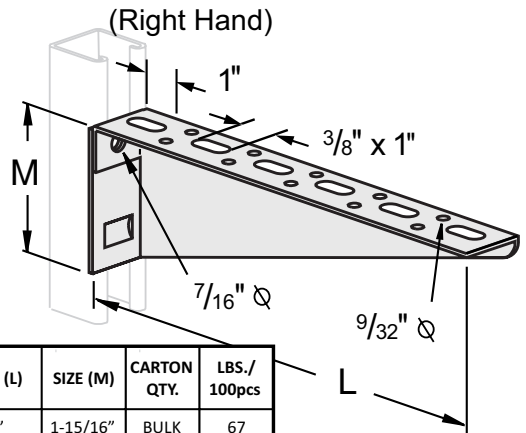
PART #	SIZE (L)	SIZE (N)	SIZE (M)	CARTON QTY.	LBS./ 100pcs
GT6231	16-1/2"	5-1/4"	5-3/4"	BULK	385
GT6232	18-1/2"	5-1/4"	7-3/4"	BULK	420
GT6233	20-1/2"	7-1/4"	7-3/4"	BULK	460

12 GAUGE SHELF BRACKET W/ SLOTS (Left Hand)



PART #	SIZE (L)	SIZE (M)	CARTON QTY.	LBS./ 100pcs
GT6206L	6"	1-15/16"	BULK	67
GT6208L	8"	2-7/16"	BULK	92
GT62010L	10"	2-15/16"	BULK	120

12 GAUGE SHELF BRACKET W/ SLOTS (Right Hand)



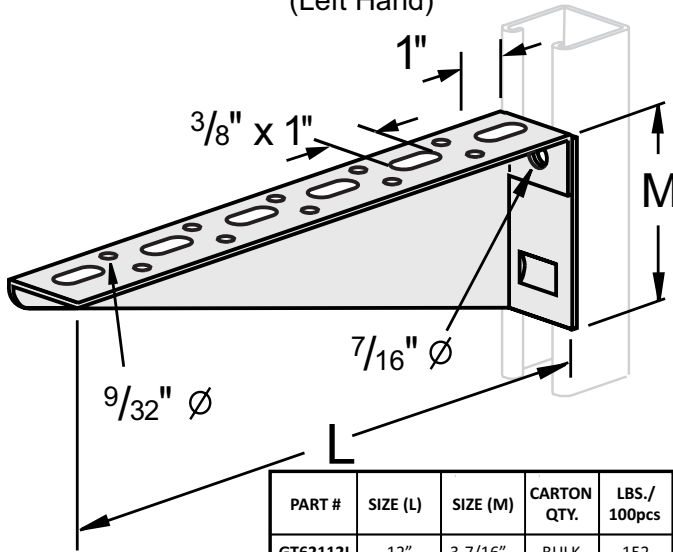
PART #	SIZE (L)	SIZE (M)	CARTON QTY.	LBS./ 100pcs
GT6206R	6"	1-15/16"	BULK	67
GT6208R	8"	2-7/16"	BULK	92
GT62010R	10"	2-15/16"	BULK	120

* FINISH: ELECTRO-GALVANIZED • ALSO AVAILABLE IN STAINLESS STEEL & HOT DIP GALVANIZED *

SHELF BRACKETS

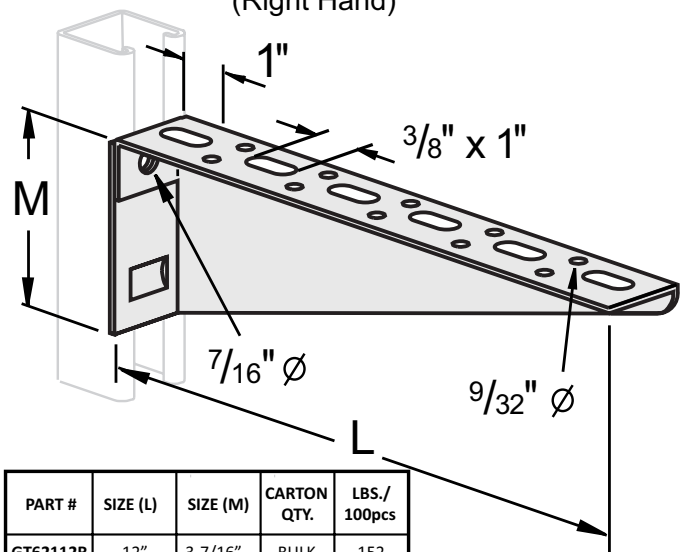
FITTINGS & ACCESSORIES

12 GAUGE SHELF BRACKET W/ SLOTS
(Left Hand)



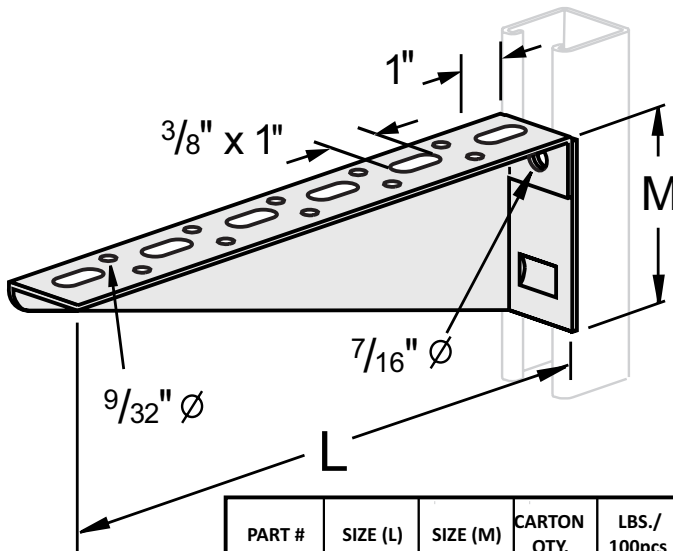
PART #	SIZE (L)	SIZE (M)	CARTON QTY.	LBS./ 100pcs
GT62112L	12"	3-7/16"	BULK	152
GT62114L	14"	3-15/16"	BULK	173
GT62116L	16"	4-7/16"	BULK	223
GT62118L	18"	4-15/16"	BULK	266
GT62120L	20"	5-7/16"	BULK	295
GT62122L	22"	5-15/16"	BULK	361

12 GAUGE SHELF BRACKET W/ SLOTS
(Right Hand)



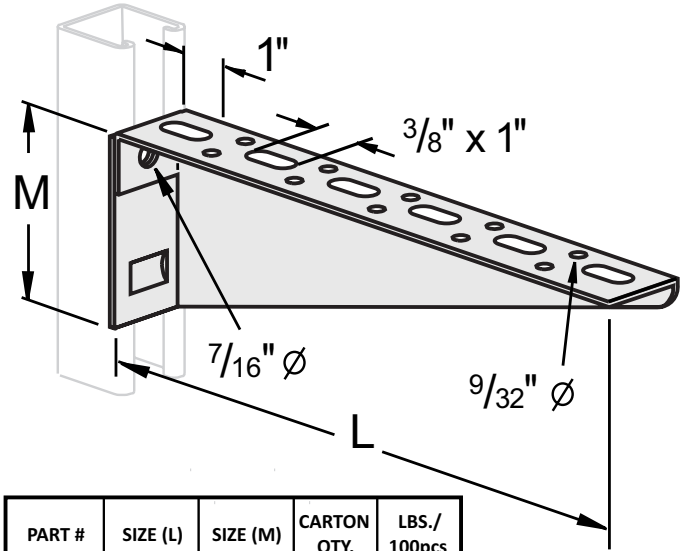
PART #	SIZE (L)	SIZE (M)	CARTON QTY.	LBS./ 100pcs
GT62112R	12"	3-7/16"	BULK	152
GT62114R	14"	3-15/16"	BULK	173
GT62116R	16"	4-7/16"	BULK	223
GT62118R	18"	4-15/16"	BULK	266
GT62120R	20"	5-7/16"	BULK	295
GT62122R	22"	5-15/16"	BULK	361

12 GAUGE SHELF BRACKET W/ SLOTS
(Left Hand)



PART #	SIZE (L)	SIZE (M)	CARTON QTY.	LBS./ 100pcs
GT62224L	24"	6-7/16"	BULK	400
GT62226L	26"	6-15/16"	BULK	456
GT62228L	28"	7-7/16"	BULK	479
GT62230L	30"	7-15/16"	BULK	544

12 GAUGE SHELF BRACKET W/ SLOTS
(Right Hand)



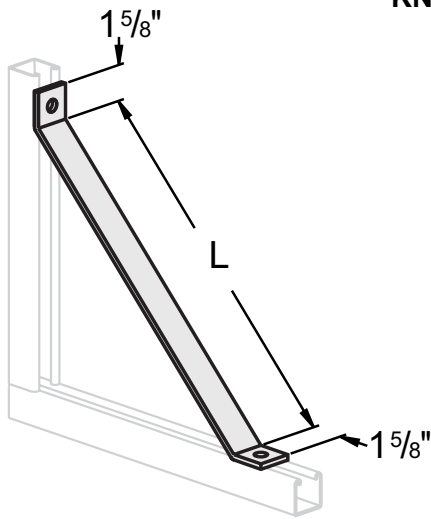
PART #	SIZE (L)	SIZE (M)	CARTON QTY.	LBS./ 100pcs
GT62224R	24"	6-7/16"	BULK	400
GT62226R	26"	6-15/16"	BULK	456
GT62228R	28"	7-7/16"	BULK	479
GT62230R	30"	7-15/16"	BULK	544

* FINISH: ELECTRO-GALVANIZED * ALSO AVAILABLE IN STAINLESS STEEL & HOT DIP GALVANIZED *

BRACE FITTINGS

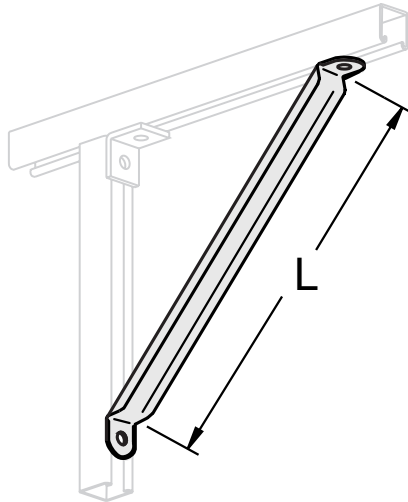
FITTINGS & ACCESSORIES

KNEE BRACE



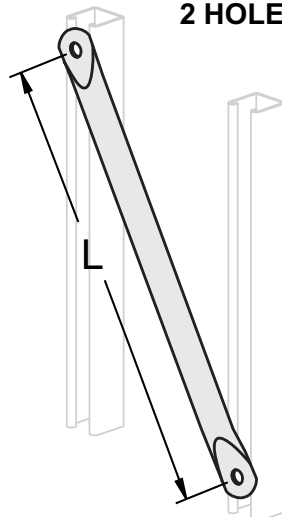
PART #	SIZE (L)	CARTON QTY.	LBS./100pcs
G603	18"	BULK	238
G6031	16-5/8"	BULK	230
G6032	12"	15	168
G6033	24"	BULK	280

2 HOLE TUBING BRACE



PART #	SIZE (L)	CARTON QTY.	LBS./100pcs
G6081	18"	BULK	145
G6082	24"	BULK	186
G6083	30"	BULK	225
G6084	36"	BULK	266
G6085	42"	BULK	307
G6086	48"	BULK	348
G6087	54"	BULK	389
G6088	60"	BULK	430

2 HOLE STRAIGHT TUBING BRACE

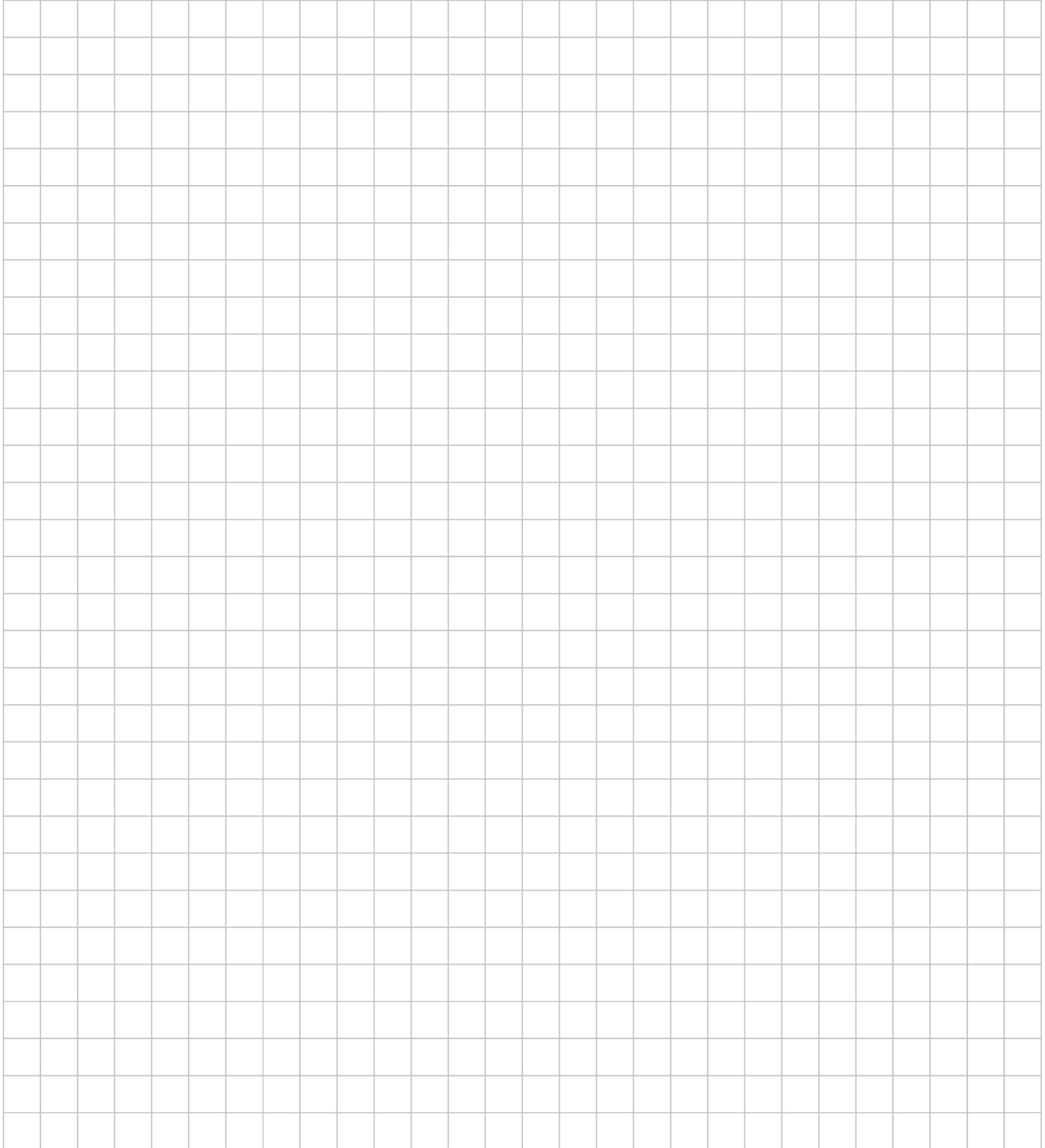


PART #	SIZE (L)	CARTON QTY.	LBS./100pcs
GTB6081	18"	BULK	133
GTB6082	24"	BULK	174
GTB6083	30"	BULK	215
GTB6084	36"	BULK	205
GTB6085	42"	BULK	235
GTB6086	48"	BULK	270
GTB6087	54"	BULK	300
GTB6088	60"	BULK	335
GTB6089	72"	BULK	400
GTB60810	84"	BULK	585
GTB60811	96"	BULK	670

* FINISH: ELECTRO-GALVANIZED • ALSO AVAILABLE IN STAINLESS STEEL & HOT DIP GALVANIZED *

Notes

G-STRUT



SECTION 4

G-STRUT® Clamps

General:

G-STRUT® Clamps are inserted at any point along the open slot of strut products and bolted closed over the conduit, pipe or tubing. This allows for easy alignment and adjustment of multiple runs and secure mounting.

Material:

G-STRUT® Clamps are formed in punch presses and made from hot rolled steel conforming to ASTM standards A-366, A-570 and A-576.

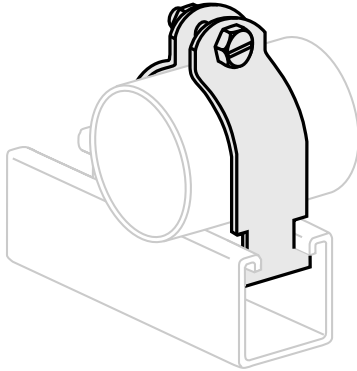
Finishes:

Standard finish is electro-plated. Also available in custom finishes, hot-dip galvanized, stainless, copper plated, aluminum, and yellow zinc. Consult factory for other finishes.



CONDUIT CLAMPS

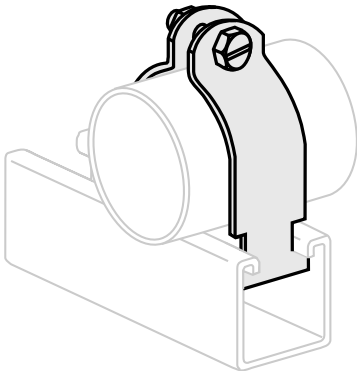
CONDUIT CLAMPS - EMT ASSEMBLED



PART #	PIPE SIZE	CARTON QTY.	LBS./ 100pcs
GC110050ASMBL	1/2"	100	11
GC110075ASMBL	3/4"	100	12
GC110100ASMBL	1"	100	15
GC110125ASMBL	1-1/4"	100	18
GC110150ASMBL	1-1/2"	50	29
GC110200ASMBL	2"	50	33

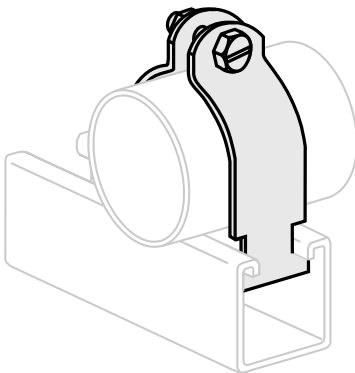
CLAMPS

CONDUIT CLAMP - RIGID ASSEMBLED



PART #	PIPE SIZE	CARTON QTY.	LBS./ 100pcs	PART #	PIPE SIZE	CARTON QTY.	LBS./ 100pcs
GC112050ASMBL	1/2"	100	11	GC112300ASMBL	3"	50	47
GC112075ASMBL	3/4"	100	15	GC112350ASMBL	3-1/2"	25	62
GC112100ASMBL	1"	100	17	GC112400ASMBL	4"	25	67
GC112125ASMBL	1-1/4"	100	19	GC112500ASMBL	5"	25	80
GC112150ASMBL	1-1/2"	50	29	GC112600ASMBL	6"	25	102
GC112200ASMBL	2"	50	34	GC112800ASMBL	8"	25	130
GC112250ASMBL	2-1/2"	50	40	GC1121000ASMBL	10"	10	143

CONDUIT CLAMP - UNIVERSAL ASSEMBLED



PART #	PIPE SIZE	CARTON QTY.	LBS./ 100pcs
GC114050ASMBL	1/2"	100	12
GC114075ASMBL	3/4"	100	13
GC114100ASMBL	1"	100	17
GC114125ASMBL	1-1/4"	100	20
GC114150ASMBL	1-1/2"	50	22
GC114200ASMBL	2"	50	23

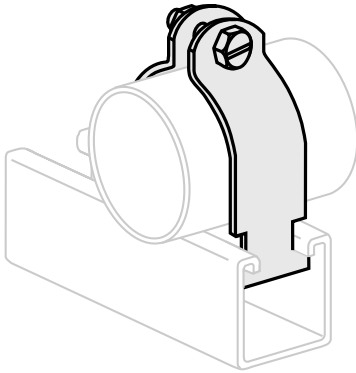
* FINISH: ELECTRO-GALVANIZED • RIGID CLAMPS ARE ALSO AVAILABLE IN STAINLESS STEEL, HOT DIP GALVANIZED, YELLOW ZINC & ALUMINUM *

CONDUIT CLAMPS

G-STRUT®

Section 4

CONDUIT CLAMPS - O.D. TUBING



PART #	O.D. SIZE	CARTON QTY.	LBS./ 100pcs
GC111025	1/4"	100	7
GC111037	3/8"	100	8
GC111050	1/2"	100	8
GC111062	5/8"	100	9
GC111075	3/4"	100	10
GC111087	7/8"	100	11
GC111100	1"	100	12
GC111112	1-1/8"	100	14
GC111125	1-1/4"	100	15
GC111137	1-3/8"	100	16
GC111150	1-1/2"	100	17
GC111162	1-5/8"	100	18
GC111175	1-3/4"	50	26
GC111187	1-7/8"	50	28
GC111200	2"	50	29
GC111212	2-1/8"	50	29
GC111225	2-1/4"	50	32
GC111237	2-3/8"	50	32
GC111250	2-1/2"	50	33
GC111262	2-5/8"	50	34
GC111275	2-3/4"	50	35
GC111287	2-7/8"	50	36

PART #	O.D. SIZE	CARTON QTY.	LBS./ 100pcs
GC111300	3"	50	37
GC111312	3-1/8"	50	38
GC111325	3-1/4"	50	40
GC111337	3-3/8"	50	42
GC111350	3-1/2"	50	45
GC111362	3-5/8"	25	54
GC111375	3-3/4"	25	56
GC111387	3-7/8"	25	57
GC111400	4"	25	58
GC111412	4-1/8"	25	60
GC111425	4-1/4"	25	61
GC111437	4-3/8"	25	62
GC111450	4-1/2"	25	63
GC111462	4-5/8"	25	64
GC111475	4-3/4"	25	65
GC111487	4-7/8"	25	66
GC111500	5"	25	67
GC111512	5-1/8"	25	69
GC111525	5-1/4"	25	70
GC111537	5-3/8"	25	74
GC111550	5-1/2"	25	76
GC111562	5-5/8"	25	83
GC111575	5-3/4"	25	87
GC111587	5-7/8"	25	88
GC111600	6"	25	90
GC111612	6-1/8"	25	91
GC111625	6-1/4"	25	92
GC111637	6-3/8"	25	93
GC111650	6-1/2"	25	94
GC111662	6-5/8"	25	96
GC111675	6-3/4"	25	97
GC111687	6-7/8"	25	98

PART #	O.D. SIZE	CARTON QTY.	LBS./ 100pcs
GC111700	7"	25	101
GC111712	7-1/8"	25	103
GC111725	7-1/4"	25	104
GC111737	7-3/8"	25	105
GC111750	7-1/2"	25	106
GC111762	7-5/8"	25	107
GC111775	7-3/4"	25	111
GC111787	7-7/8"	25	112
GC111800	8"	25	113
GC111812	8-1/8"	25	114
GC111825	8-1/4"	25	115
GC111837	8-3/8"	25	116
GC111850	8-1/2"	25	117
GC111862	8-5/8"	25	118
GC111875	8-3/4"	25	119
GC111887	8-7/8"	25	120
GC111900	9"	25	121
GC111912	9-1/8"	25	123
GC111925	9-1/4"	25	124
GC111937	9-3/8"	25	126
GC111950	9-1/2"	25	128
GC111962	9-5/8"	25	131
GC111975	9-3/4"	25	132
GC111987	9-7/8"	25	135
GC1111000	10"	25	136
GC1111012	10-1/8"	25	137
GC1111025	10-1/4"	25	138
GC1111037	10-3/8"	25	140
GC1111050	10-1/2"	25	143
GC1111062	10-5/8"	25	145
GC1111075	10-3/4"	25	146
GC1111087	10-7/8"	25	146

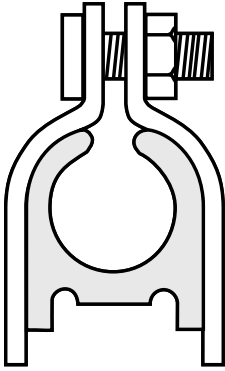
CLAMPS

* FINISH: ELECTRO-GALVANIZED • ALSO AVAILABLE IN STAINLESS STEEL & ALUMINUM *

CUSHION CLAMPS

CUSHION CLAMPS - TUBE

Finish: Yellow Zinc

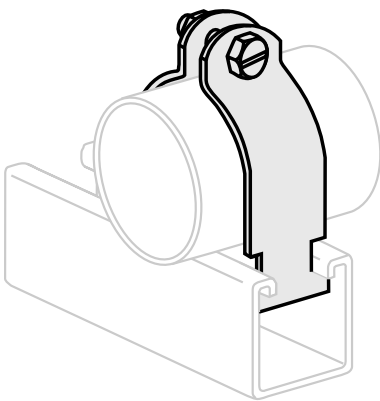


CLAMPS

PART #	O.D. SIZE	CARTON QTY.	LBS./ 100pcs	PART #	O.D. SIZE	CARTON QTY.	LBS./ 100pcs
GC1025	1/4"	25	11	GC1162	1-5/8"	10	40
GC1037	3/8"	25	12	GC1175	1-3/4"	10	42
GC1050	1/2"	25	13	GC1187	1-7/8"	10	46
GC1062	5/8"	25	15	GC1200	2"	10	46
GC1075	3/4"	25	19	GC1212	2-1/8"	10	58
GC1087	7/8"	25	21	GC1237	2-3/8"	10	58
GC1100	1"	25	25	GC1262	2-5/8"	10	58
GC1112	1-1/8"	25	29	GC1300	3"	5	59
GC1125	1-1/4"	10	29	GC1312	3-1/8"	5	69
GC1137	1-3/8"	10	38	GC1362	3-5/8"	5	75
GC1150	1-1/2"	10	38	GC1412	4-1/8"	5	90

CONDUIT CLAMP - PIPE

Finish: Yellow Zinc



PART #	PIPE SIZE	CARTON QTY.	LBS./ 100pcs
GC2025	1/4"	25	12
GC2037	3/8"	25	14
GC2050	1/2"	25	21
GC2075	3/4"	25	22
GC2100	1"	25	24
GC2125	1-1/4"	10	39
GC2150	1-1/2"	10	43
GC2200	2"	10	47
GC2250	2-1/2"	10	55
GC2300	3"	5	58
GC2350	3-1/2"	5	60
GC2400	4"	5	76
GC2500	5"	5	93
GC2600	6"	5	94

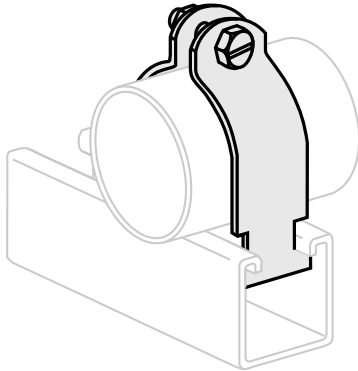
CONDUIT CLAMPS

G-STRUT®

Section 4

CONDUIT CLAMPS - O.D. TUBING

Finish: Copper Plated



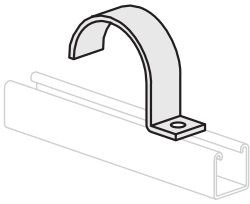
PART #	COPPER TUBE SIZE	O.D. SIZE	CARTON QTY.	LBS./100pcs
GC111037CT	1/4"	3/8"	100	8
GC111050CT	3/8"	1/2"	100	9
GC111062CT	1/2"	5/8"	100	10
GC111087CT	3/4"	7/8"	100	12
GC111112CT	1"	1-1/8"	100	15
GC111137CT	1-1/4"	1-3/8"	100	17
GC111162CT	1-1/2"	1-5/8"	100	19
GC111212CT	2-1/8"	2-1/8"	50	32
GC111262CT	2-1/2"	2-5/8"	50	37
GC111312CT	3"	3-1/8"	50	43
GC111362CT	3-1/2"	3-5/8"	25	56
GC111412CT	4"	4-1/8"	25	62
GC111512CT	5"	5-1/8"	25	76
GC111612CT	6"	6-1/8"	25	96
GC111800CT	8"	8-1/8"	25	123

CLAMPS

PIPE CLAMPS

1 HOLE TUBING CLAMP

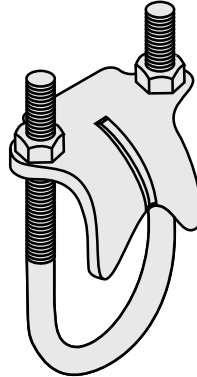
Finish: Electro-Galvanized



PART #	PIPE SIZE	CARTON QTY.	LBS./ 100pcs
G1109025	1/4"	100	3
G1109031	5/16"	100	3
G1109037	3/8"	100	4
G1109050	1/2"	100	4
G1109062	5/8"	100	5
G1109075	3/4"	100	6
G1109087	7/8"	100	6
G1109100	1"	100	7

RIGHT ANGLE CLAMP

Finish: Hot Dip Galvanized



PART #	PIPE SIZE	CARTON QTY.	LBS./ 100pcs
GRA050	1/2"	25	41
GRA075	3/4"	25	42
GRA100	1"	25	47
GRA125	1-1/4"	25	54
GRA150	1-1/2"	25	57
GRA200	2"	10	85
GRA250	2-1/2"	10	106
GRA300	3"	5	110
GRA350	3-1/2"	5	128
GRA400	4"	5	140

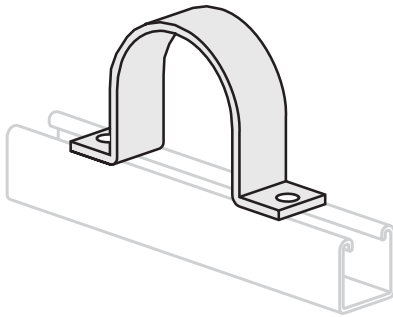
* Designate SS(316) in Part#, if 316 Stainless Steel Finish is Desired *

CLAMPS

2 HOLE PIPE STRAP

Finish: Electro-Galvanized

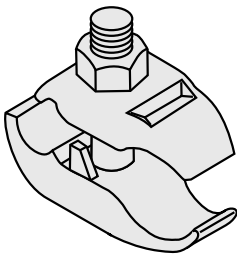
- FOR IRON PIPE & RIGID CONDUIT



PART #	PIPE SIZE	CARTON QTY.	LBS./ 100pcs	PART #	PIPE SIZE	CARTON QTY.	LBS./ 100pcs
G1108050	1/2"	25	23	G1108300	3"	10	133
G1108075	3/4"	25	26	G1108350	3-1/2"	BULK	152
G1108100	1"	25	31	G1108400	4"	BULK	176
G1108125	1-1/4"	25	35	G1108500	5"	BULK	198
G1108150	1-1/2"	25	39	G1108600	6"	BULK	225
G1108200	2"	10	94	G1108800	8"	BULK	300
G1108250	2-1/2"	10	114				

PARALLEL CLAMPS

Finish: Hot Dip Galvanized

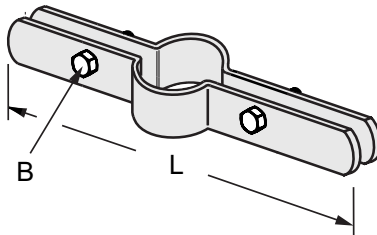


* Designate SS(316) in Part#, if 316 Stainless Steel Finish is Desired *

PART #	PIPE SIZE	CARTON QTY.	LBS./ 100pcs
G1112075	3/4"	10	64
G1112100	1"	10	70

RISER CLAMP

Finish: Plain



* Remove "PLAIN" in Part#, if Electro-Galvanized Finish is Desired *

PART #	PIPE SIZE	SIZE (L)	BOLT SIZE (B)	CARTON QTY.	LBS./ 100pcs
GRCL050PLAIN	1/2"	9"	3/8-16 x 1-1/4"	25	101
GRCL075PLAIN	3/4"	9-1/4"	3/8-16 x 1-1/4"	25	105
GRCL100PLAIN	1"	9-9/16"	3/8-16 x 1-1/4"	25	109
GRCL125PLAIN	1-1/4"	10"	3/8-16 x 1-1/4"	100	112
GRCL150PLAIN	1-1/2"	10-1/4"	3/8-16 x 1-1/2"	20	113
GRCL200PLAIN	2"	10-3/4"	3/8-16 x 1-1/2"	20	165
GRCL250PLAIN	2-1/2"	11-1/4"	3/8-16 x 1-1/2"	25	180
GRCL300PLAIN	3"	11-5/16"	3/8-16 x 1-1/2"	25	195
GRCL350PLAIN	3-1/2"	12-3/8"	1/2-13 x 1-3/4"	20	217
GRCL400PLAIN	4"	12-7/8"	1/2-13 x 1-3/4"	20	228
GRCL500PLAIN	5"	14"	1/2-13 x 1-3/4"	100	480
GRCL600PLAIN	6"	15-3/16"	1/2-13 x 2"	100	526

SECTION 5

G-STRUT® Concrete Inserts & Endcaps

General:

Concrete inserts are available with Styrofoam strip inserts.

Length:

Inserts are available in 10' and 20' lengths. Consult factory for custom lengths.

Finishes:

Inserts and end caps are available in pre-galvanized and plain. End caps also available in plastic.

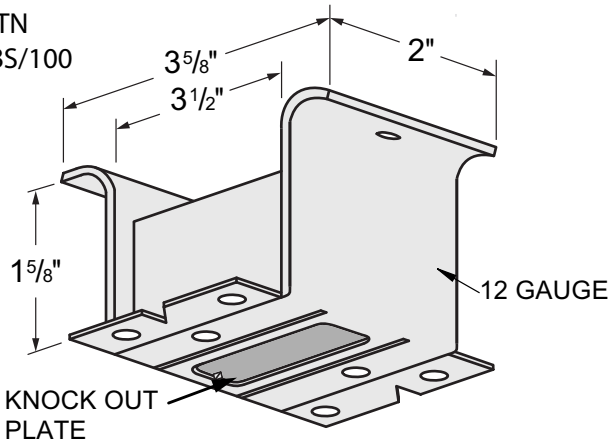


CONCRETE INSERTS

SPOT CONCRETE INSERT

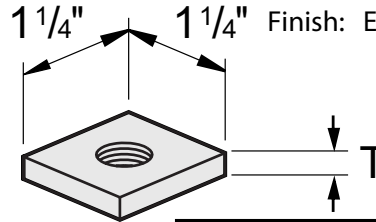
Finish: Electro-Galvanized

GSPCI
50/CTN
50 LBS/100



SQUARE SPOT INSERT NUT

Finish: Electro-Galvanized



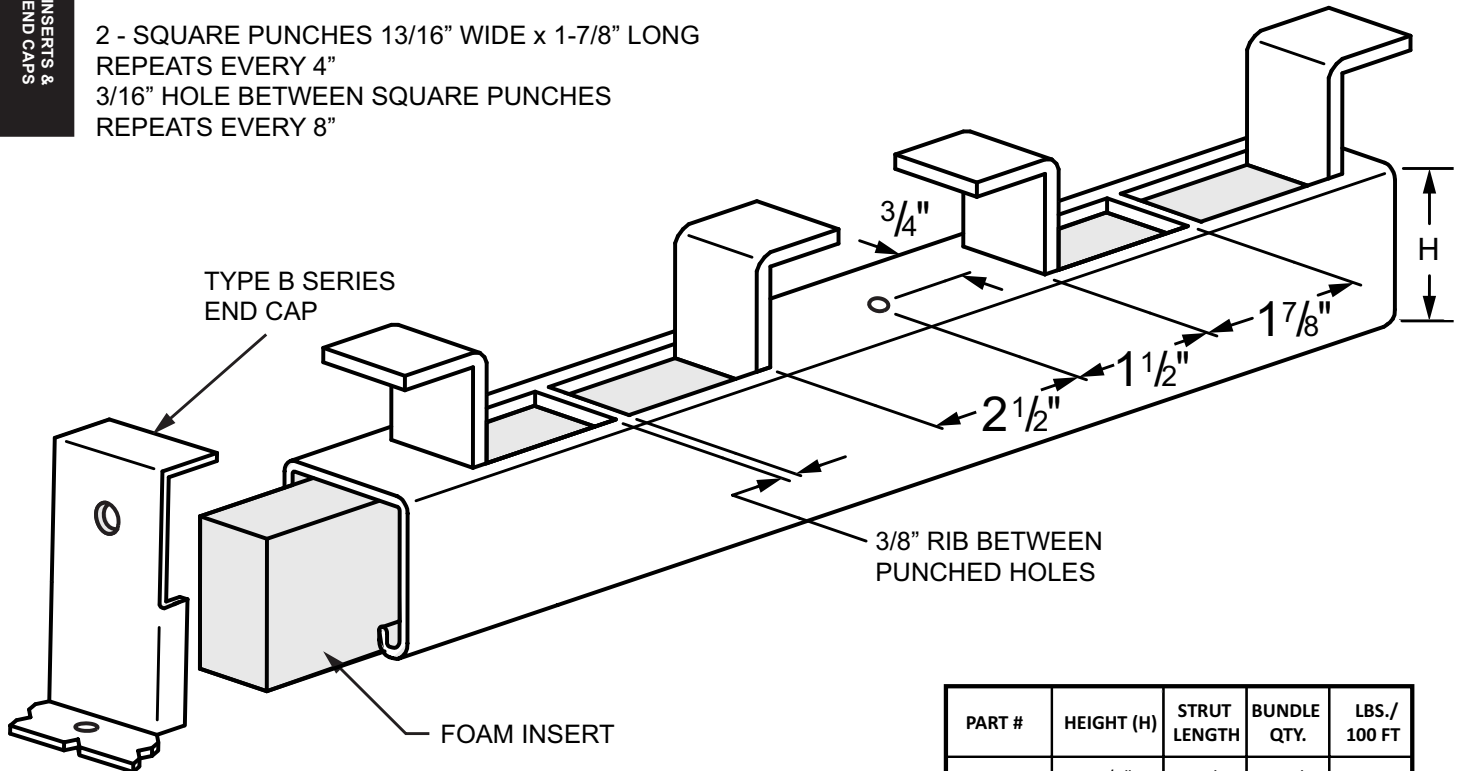
PART #	THREAD SIZE	THICK (T)	CARTON QTY.	LBS./ 100pcs
GSS1/4	1/4-20	1/4"	100	10
GSS3/8	3/8-16	3/8"	100	15
GSS1/2	1/2-13	1/2"	100	18
GSS5/8	5/8-11	1/2"	100	17
GSS3/4	3/4-10	1/2"	100	15

CONTINUOUS CONCRETE INSERT

Finish: Pre-Galvanized

2 - SQUARE PUNCHES 13/16" WIDE x 1-7/8" LONG
REPEATS EVERY 4"
3/16" HOLE BETWEEN SQUARE PUNCHES
REPEATS EVERY 8"

TYPE B SERIES
END CAP

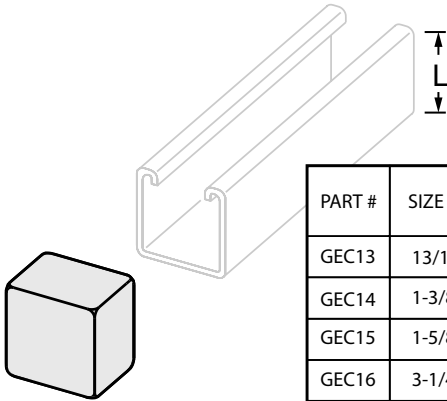


PART #	HEIGHT (H)	STRUT LENGTH	BUNDLE QTY.	LBS./ 100 FT
G382IN1	1-3/8"	10'	240'	179
G382IN2	1-3/8"	20'	480'	179
G132IN1	13/16"	10'	240'	135
G132IN2	13/16"	20'	480'	135
G582IN1	1-5/8"	10'	240'	199
G582IN2	1-5/8"	20'	480'	199

END CAPS & CLOSURE STRIPS

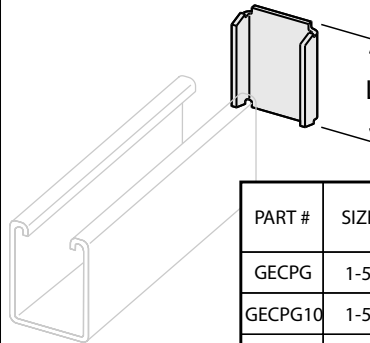
STRUT SAFETY END CAP

Material: White Color PVC
*** Consult Factory for Custom Colors ***



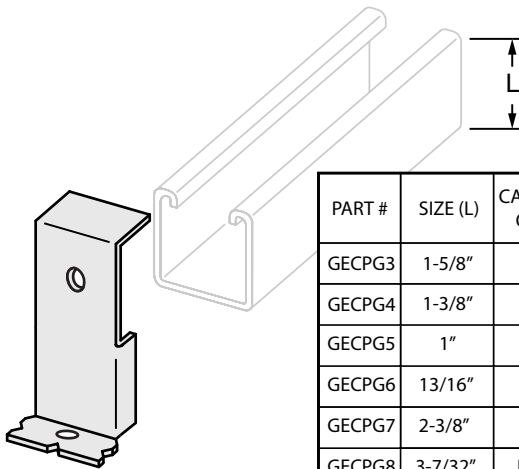
PART #	SIZE (L)	CARTON QTY.	LBS./ 100pcs
GEC13	13/16"	100	2.5
GEC14	1-3/8"	100	2.5
GEC15	1-5/8"	100	4.2
GEC16	3-1/4"	100	7.3

TYPE A END CAP



PART #	SIZE (L)	CHANNEL GAGE	CARTON QTY.	LBS./ 100pcs
GECPG	1-5/8"	12ga	100	10
GECPG10	1-5/8"	14ga	100	8
GECPG0	1-3/8"	12ga	100	15
GECPG1	2-7/16"	12ga	100	4
GECPG2	13/16"	12ga	100	6
GECPG9	3-1/4"	12ga	100	16

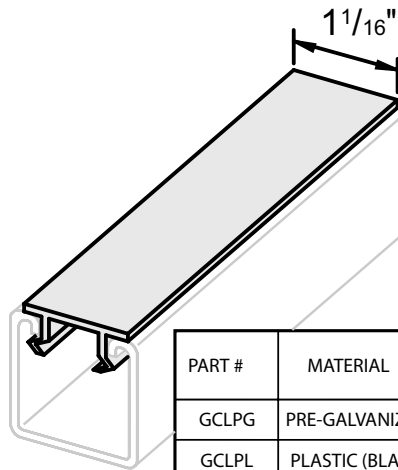
TYPE B END CAP



PART #	SIZE (L)	CARTON QTY.	LBS./ 100pcs
GECPG3	1-5/8"	100	11
GECPG4	1-3/8"	100	22
GECPG5	1"	100	5
GECPG6	13/16"	100	18
GECPG7	2-3/8"	100	12
GECPG8	3-7/32"	BULK	18

CLOSURE STRIP

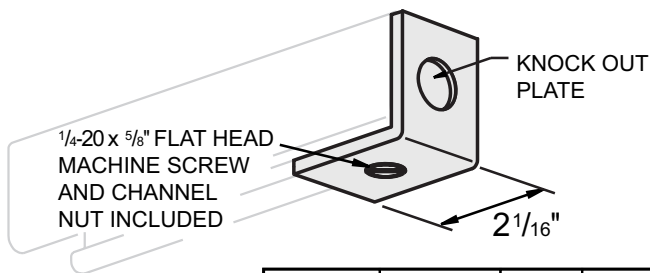
*** Consult Factory for Other Colors & Finishes ***



PART #	MATERIAL	STRUT LENGTH	BUNDLE QTY.	LBS./ 100 FT
GCLPG	PRE-GALVANIZED	10'	500'	450
GCLPL	PLASTIC (BLACK)	10'	500'	48

RACEWAY END CAP

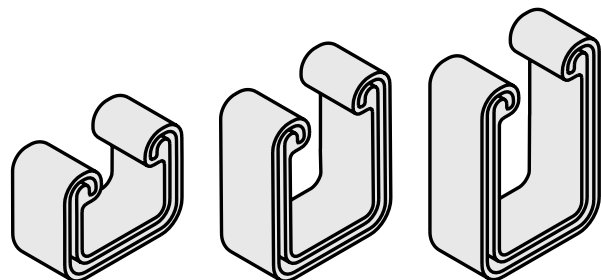
- For 1-5/8" Channel



PART #	KNOCKOUT HOLE	CARTON QTY.	LBS./ 100pcs
G910	1/2"	50	21
G9101	3/4"	50	21

OPEN SAFETY END CAP

Material: Grey Color PVC
*** Consult Factory for Custom Colors ***



GOEC17
13/16 CHANNEL
100 PCS/CTN
3.5 LBS/100 PCS

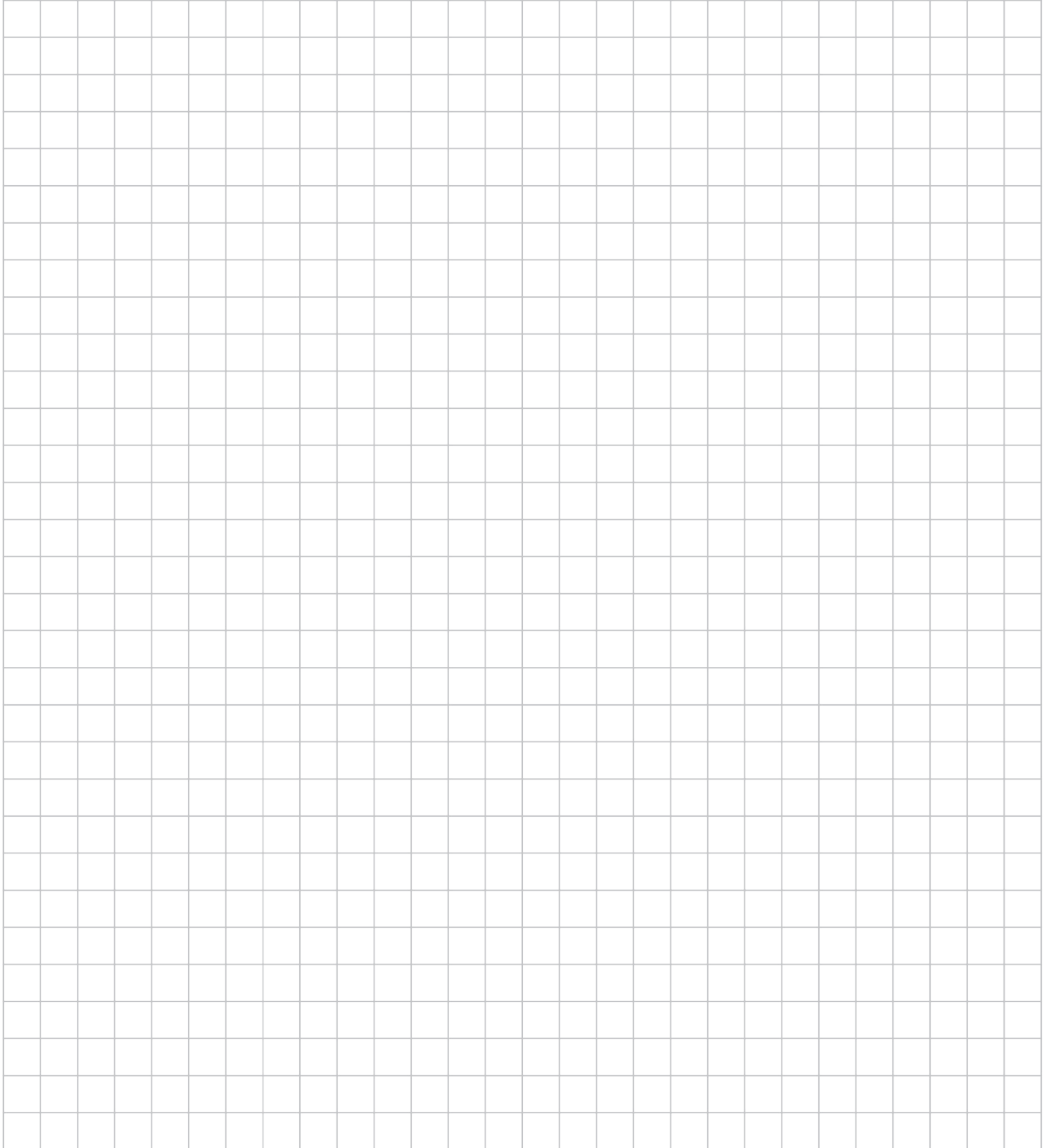
GOEC18
1-5/8 CHANNEL
100 PCS/CTN
4.1 LBS/100 PCS

GOEC19
3-1/4 CHANNEL
50 PCS/CTN
5.6 LBS/100 PCS

STANDARD FINISH : ELECTRO-GALVANIZED FOR METAL ENDCAPS

Notes

G-STRUT



SECTION 6A

G-STRUT® Slotted Angle

General:

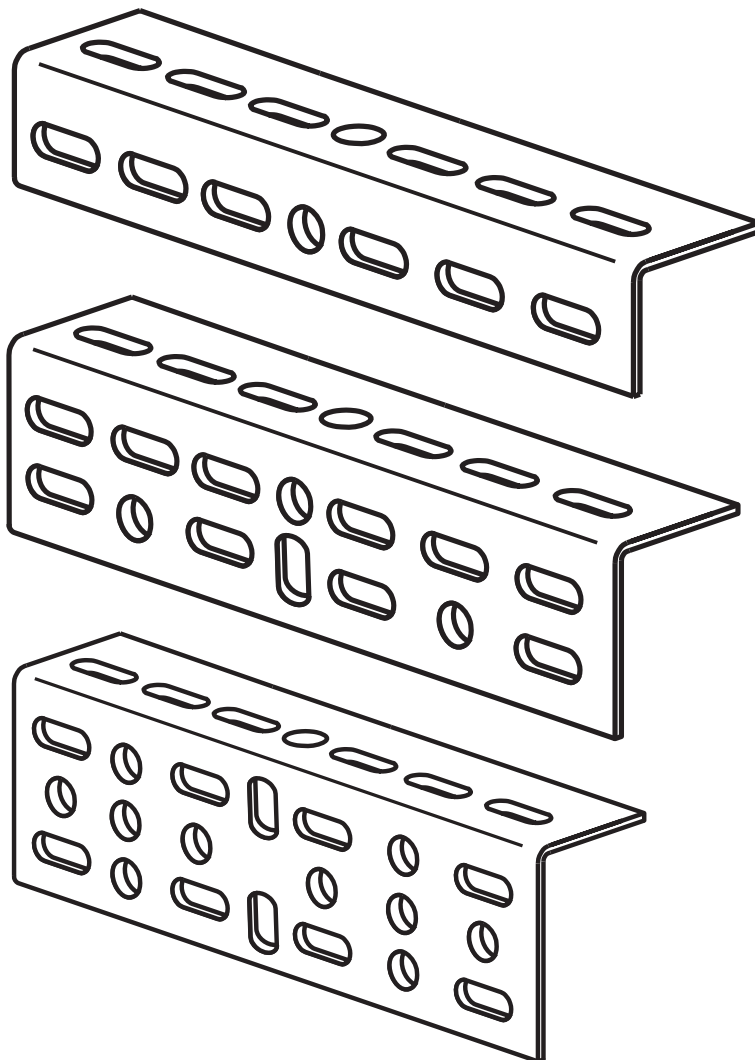
Slotted Angle Strut is available in three different slot configurations.

Length:

Slotted Angle Strut is available in 10' and 12' lengths. Consult factory for custom lengths.

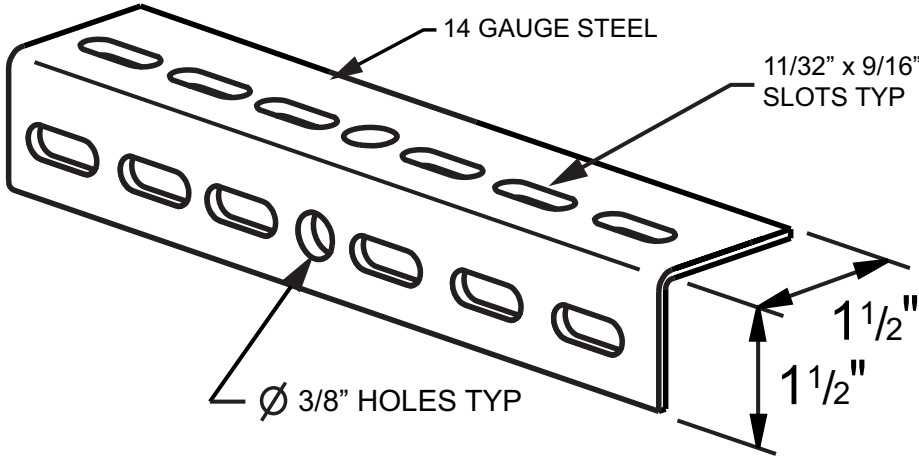
Finishes:

Slotted Angle Strut is pre-galvanized.



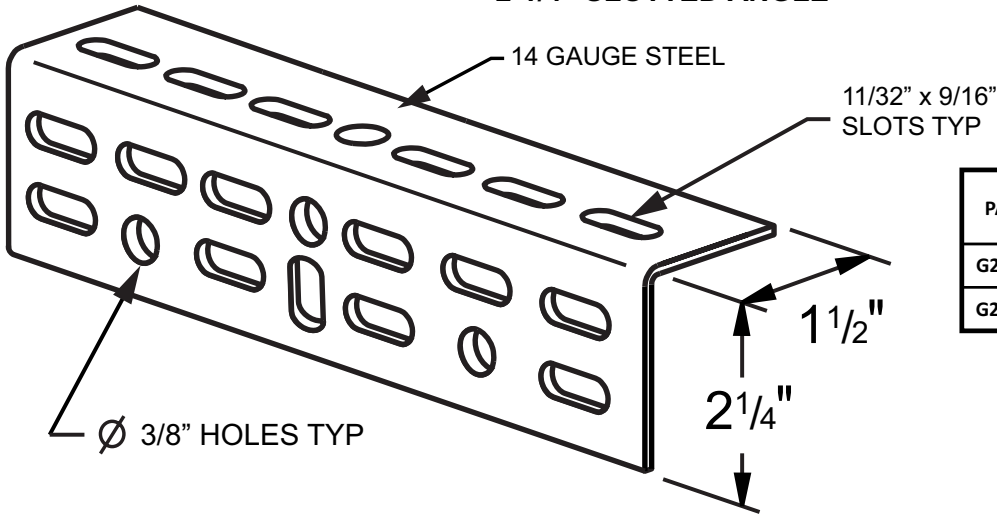
SLOTTED ANGLE

1-1/2" SLOTTED ANGLE



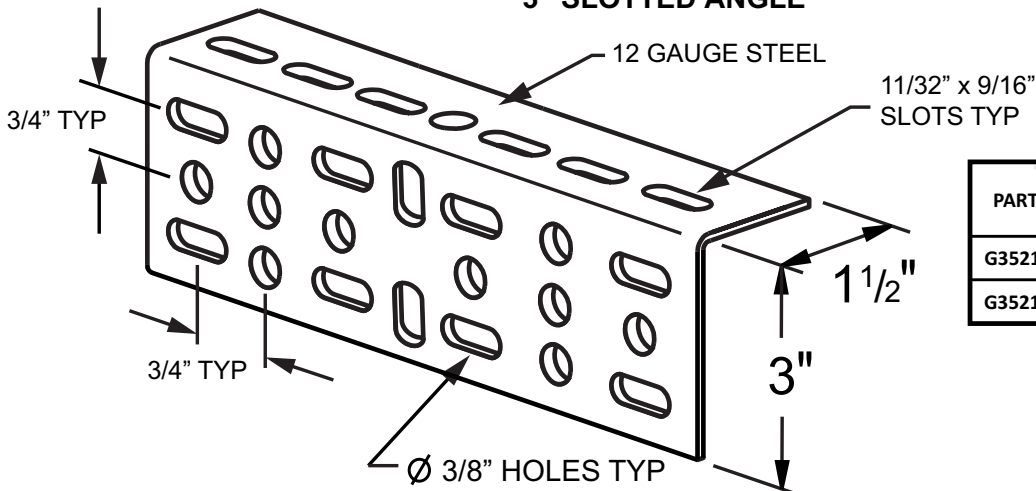
PART #	LENGTH	BUNDLE QTY.	LBS./ 100 FT
G15410GL	10'	100'	80
G15412GL	12'	120'	80

2-1/4" SLOTTED ANGLE



PART #	LENGTH	BUNDLE QTY.	LBS./ 100 FT
G25410GL	10'	100'	95
G25412GL	12'	120'	95

3" SLOTTED ANGLE



PART #	LENGTH	BUNDLE QTY.	LBS./ 100 FT
G35210GL	10'	100'	135
G35212GL	12'	120'	135

* PACKAGES CONTAIN 10 LENGTHS OF ANGLE AND 75 NUTS AND BOLTS • CUSTOM LENGTHS AVAILABLE *

SLOTTED ANGLE & SUPPORT SYSTEMS

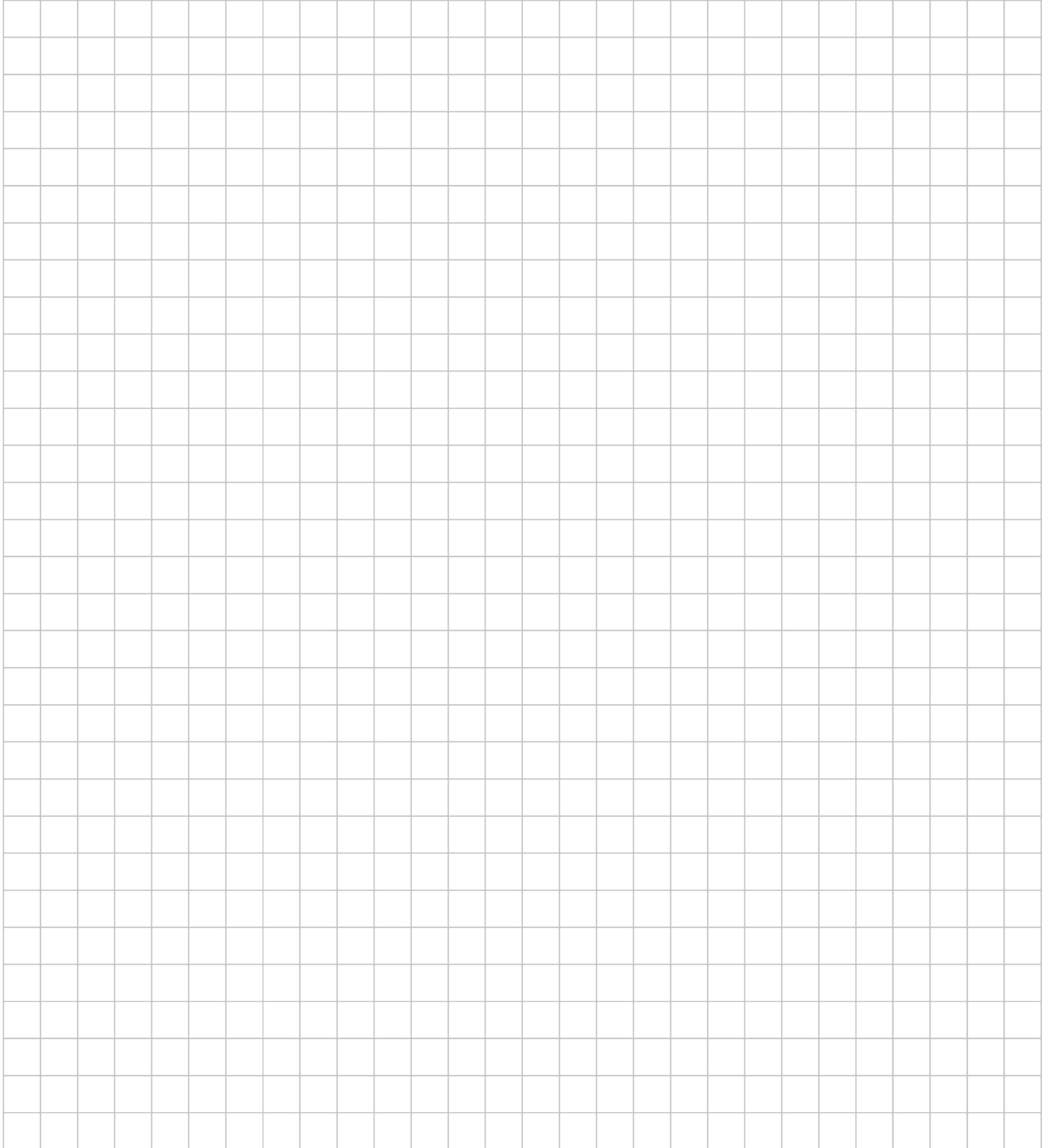
SECTION 6B

G-STRUT® Rooftop Support Blocks

- Made from 100% post-consumer American recycled products
- Leed's credit qualifying
- "Buy American"/ARRA Compliance
- For page numbers, specifications and engineering data, please see supplemental G-STRUT® Rooftop Support Catalog

Notes

G-STRUT



SECTION 7

Engineering Data

Mill certification physical/mechanical properties, specification and engineering data for G-STRUT® Standard carbon steel channel are as follows:

PRODUCT(S) PROFILE TYPES	MIN. YIELD STRENGTH	MIN. TENSILE STRENGTH	MIN. ELONGATION
ALL 1-5/8 industry standard strut profiles in sizes inclusive from 13/16" through 3-1/4"	42,700 33,500	45,000	20%

G-STRUT® Metal Framing Channel is interchangeable with industry-standard 1-5/8" strut profiles.

G-STRUT® is cold roll-formed, structural grade carbon steel.

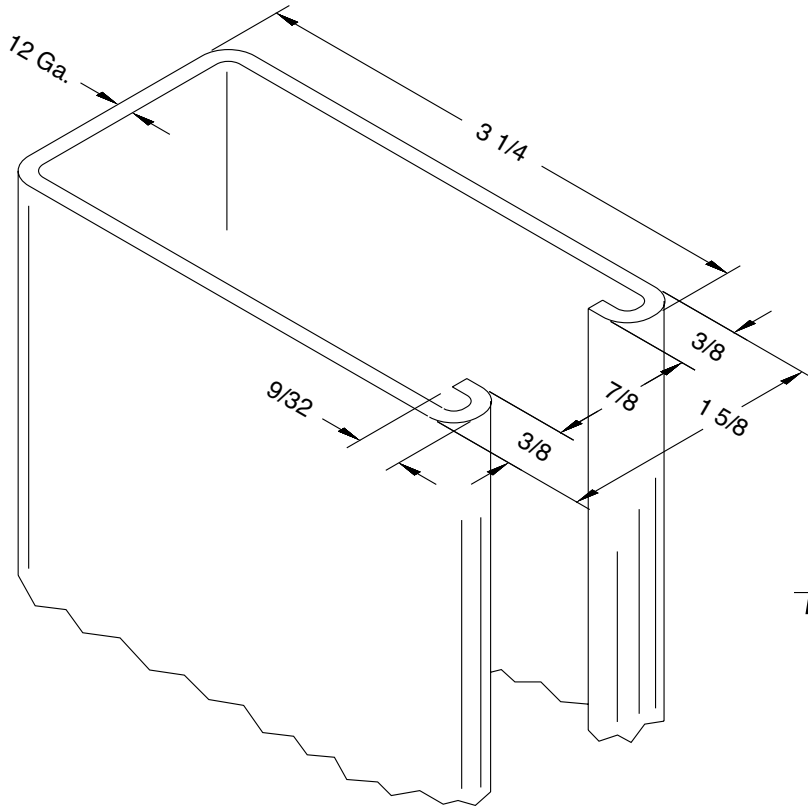
G-STRUT® conforms to ASTM 1011 for hot rolled steel, ASTM 653 for continuous pre-galvanized steel, and ASTM 123 for HDG hot dip after-fabrication galvanized.

Standard finishes include pre-galvanized (G-90 coating weight), painted, galvanized, pickle & oil plain, and hot dip galvanized.

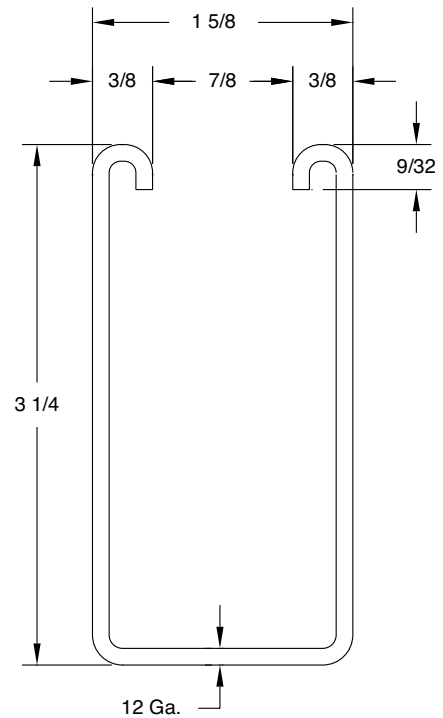
Painted (Channel Green Standard) available in polyester urethane powder coat finish or electro deposition cathodic epoxy e-coating.

Special Channel finishes or substrates include: aluminum, yellow zinc electrocoat, fiberglass, PVC coated, custom colors, stainless steel (grade 304 or 316).

Engineering/Load factors (see following pages by channel part number)



	G812OS [Oval-Slot]
	9/16" x 1-1/8" - 2" ON CTR
	G812LS [Long-Slot]
	13/32" x 3" - 4" ON CTR
	G812H [Holes]
	9/16" DIAM. - 1-7/8" ON CTR
	G812A [Back-to-Back]
	WELDED
	G812AOS [Back-to-Back]
	WELDED Oval Slot
	G812KO [Knock-Out]
	7/8" DIAM. - 6" ON CTR



THIS DRAWING IS THE PROPERTY OF GREGORY STRUT PROD. AND IS LOANED TO YOU FOR YOUR INFORMATION ONLY. IT IS NOT TO BE REPRODUCED, COPIED, OR OTHERWISE DISSEMINATED OR USED IN ANY MANNER WITHOUT THE WRITTEN PERMISSION OF GREGORY STRUT PRODUCTS. ANY INFORMATION FOR THE MAKING OF DRAWINGS, PRINTS, APPARATUS OR PARTS THEREOF, THIS DRAWING SHALL BE RETURNED TO GREGORY STRUT PROD. UPON REQUEST. THE ACCEPTANCE OF THIS DRAWING WILL BE CONSIDERED AS AN ACCEPTANCE OF THE FOREGOING CONDITIONS AND AN ADMISSION OF THE EXCLUSIVE OWNERSHIP IN AND TO THE DRAWING OF GREGORY STRUT PRODUCTS.

ITEM	QNT'Y	DESCRIPTION	MATERIAL
		ROLLFORM TOLERANCES	
SCALE	FULL	CHK'D BY	LENGTH ± 0.125"
DWN BY	IDI	02-02-02	APP'D BY
G-STRUT CHANNEL, PART # G812			
CAD FILENAME: G812		GREGORY STRUT PRODUCTS Division of Gregory Industries 4100 13th Street SW; Canton, OH 44710 PH: 330-477-4800 FX: 330-477-0626	
LAST PLOT DATE: 02-02-02			
		G812	

G-STRUT® Channel – G812 / G812A

1-5/8" x 3-1/4" (1.625" x 3.25")

12 gauge (0.102" thick)

Elements of Section

Strut Section Number	Weight/ Foot lbs.	Area of Section in. ²	XX-AXIS			YY-AXIS		
			Moment of Inertia in. ⁴	Section Modulus in. ³	Radius of Gyration in.	Moment of Inertia in. ⁴	Section Modulus in. ³	Radius of Gyration in.
G812	2.957	0.869	1.061	0.605	1.105	0.422	0.519	0.697
G812A	5.914	1.738	6.006	1.848	1.859	0.844	1.039	0.697

Beam & Column Loads

Strut Section Number	Beam Span or Column Height	Maximum Column Load	Total Uniform Load at 25,000 PSI	Deflection at 25,000 PSI	Uniform Load at 1/240 Span Deflection
	in.	lbs.	lbs.	in.	lbs.
G812	12	19540	10080	0	-
	18	19300	6720	0.01	-
	24	19030	5040	0.02	-
	30	18740	4030	0.04	-
	36	18420	3360	0.06	-
	42	18080	2880	0.09	-
	48	17730	2520	0.11	-
	54	17200	2240	0.14	-
	60	16390	2010	0.18	-
	66	15530	1830	0.22	-
	72	14640	1680	0.26	-
	84	12710	1440	0.36	1390
	96	10590	1260	0.47	1060
	108	8440	1120	0.59	840
	120	6840	1000	0.73	680
	132	5650	910	0.88	560
	144	4750	840	1.06	470
	156	4040	770	1.23	400
	168	3490	720	1.44	340
	180	-	670	1.65	300
192	-	630	1.88	260	
204	-	590	2.11	230	
216	-	560	2.38	210	
228	-	530	2.65	180	
240	-	500	2.92	170	

(Continued on next page.)

G-STRUT® Channel – G812 / G812A *(Continued from previous page.)***Beam & Column Loads**

Strut Section Number	Beam Span or Column Height	Maximum Column Load	Total Uniform Load at 25,000 PSI	Deflection at 25,000 PSI	Uniform Load at 1/240 Span Deflection
	in.	lbs.	lbs.	in.	lbs.
G812A	12	39500	30800	0	-
	18	39270	20530	0	-
	24	39030	15400	0.01	-
	30	38770	12320	0.02	-
	36	38500	10260	0.03	-
	42	37360	8800	0.04	-
	48	35930	7700	0.06	-
	54	34400	6840	0.08	-
	60	32780	6160	0.09	-
	66	31070	5600	0.12	-
	72	29280	5130	0.14	-
	84	25420	4400	0.19	-
	96	21190	3850	0.25	-
	108	16890	3420	0.32	-
	120	13680	3080	0.39	-
	132	11300	2800	0.48	-
	144	9500	2560	0.57	-
	156	8090	2360	0.66	2290
	168	6980	2200	0.77	1970
	180	-	2050	0.89	1720
	192	-	1920	1.01	1510
	204	-	1810	1.14	1330
	216	-	1710	1.28	1190
	228	-	1620	1.43	1070
	240	-	1540	1.59	960

(Continued on next page.)

G-STRUT® Channel – G812 / G812A *(Continued from previous page.)*

For perforated channels, reduce total beam load values as follows:

G812 / G812A	OS	20%
G812 / G812A	LS	33%
G812 / G812A	H	12%
G812 / G812A	KO	5%

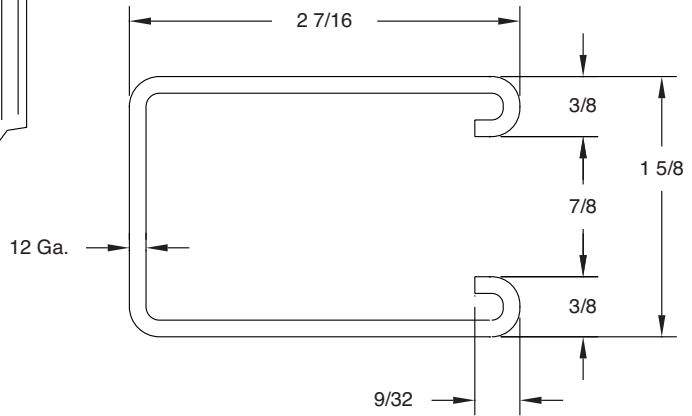
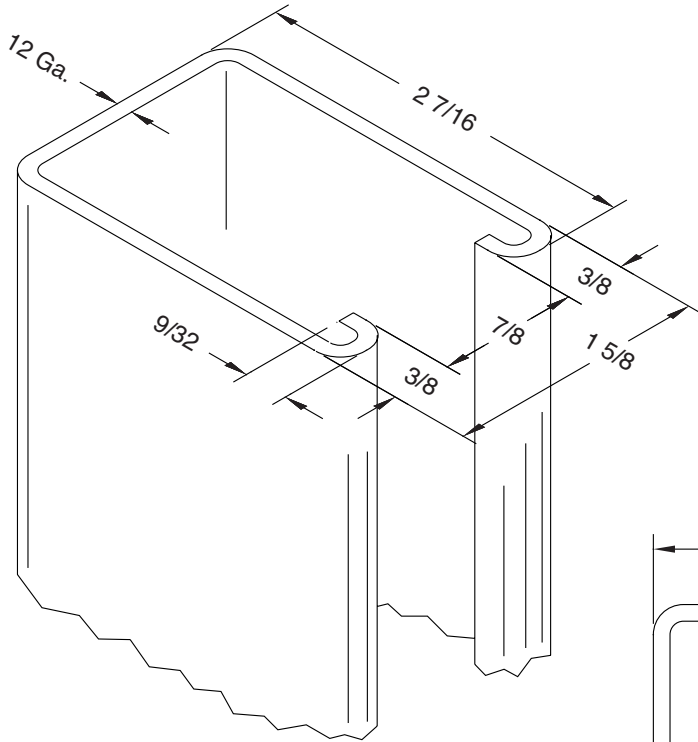
$E = 29000$; $F_y = 42700$; $K = 0.8$

BEAM LOADS

Loads listed are distributed uniformly. For loads concentrated at center of span, multiply uniform load by 0.5 and deflection by 0.8. Where deflection is not a factor, use stress of 25,000 PSI. When deflection is a factor, use deflection of 1/240 span.

COLUMN LOADS

Column loads are for allowable axial loads for the unsupported heights listed (including a K value of 0.80). Column loads must be reduced for eccentric loading.



	G712OS [Oval-Slot]
	9/16" x 1-1/8" - 2" ON CTR
	G712LS [Long-Slot]
	13/32" x 3" - 4" ON CTR
	G712H [Holes]
	9/16" DIAM. - 1-7/8" ON CTR
	G712A [Back-to-Back]
	WELDED
	G712AOS [Back-to-Back]
	WELDED Oval-Slot
	G712KO [Knock-Out]
	7/8" DIAM. - 6" ON CTR

THIS DRAWING IS THE PROPERTY OF GREGORY STRUT PRODUCTS AND IS LOANED TO YOU FOR YOUR CONSIDERATION ONLY. IT IS NOT TO BE REPRODUCED OR OTHERWISE DISCLOSED TO ANY OTHER PARTY WITHOUT THE WRITTEN PERMISSION OF GREGORY STRUT PRODUCTS. ANY INFORMATION FOR THE MAKING OF DRAWINGS, PRINTS, APPARATUS OR PARTS THEREOF, THIS DRAWING SHALL BE RETURNED TO GREGORY STRUT PRODUCTS UPON REQUEST. THE ACCEPTANCE OF THIS DRAWING WILL BE CONSIDERED AS AN ACCEPTANCE OF THE FOREGOING CONDITIONS AND AS AN ADMISSION OF THE EXCLUSIVE OWNERSHIP IN AND TO THE DRAWING OF GREGORY STRUT PRODUCTS.

ITEM	QNT'Y	DESCRIPTION	MATERIAL
		ROLLFORM TOLERANCES	
SCALE FULL		CHK'D BY	LENGTH ± 0.125"
DWN BY IDI 02-02-02		APP'D BY	ALL OTHER DIMENSIONS ± 0.020"
G-STRUT CHANNEL, PART # G712			
CAD FILENAME: G712		GREGORY STRUT PRODUCTS Division of Gregory Industries 4100 13th Street SW; Canton, OH 44710 PH: 330-477-4800 FX: 330-477-0626	REF. No.
LAST PLOT DATE: 02-02-02			DRWG No.
			G712

G-STRUT® Channel – G712 / G712A

1-5/8" x 2-7/16" (1.625" x 2.4375")

12 gauge (0.102" thick)

Elements of Section

Strut Section Number	Weight/ Foot lbs.	Area of Section in. ²	XX-AXIS			YY-AXIS		
			Moment of Inertia in. ⁴	Section Modulus in. ³	Radius of Gyration in.	Moment of Inertia in. ⁴	Section Modulus in. ³	Radius of Gyration in.
G712	2.392	0.703	0.503	0.376	0.846	0.326	0.401	0.681
G712A	4.784	1.406	2.701	1.108	1.386	0.652	0.802	0.681

Beam & Column Loads

Strut Section Number	Beam Span or Column Height	Maximum Column Load	Total Uniform Load at 25,000 PSI	Deflection at 25,000 PSI	Uniform Load at 1/240 Span Deflection
	in.	lbs.	lbs.	in.	lbs.
G712	12	15280	6260	0	
	18	15010	4170	0.02	
	24	14710	3130	0.03	
	30	14370	2500	0.06	
	36	14010	2080	0.08	
	42	13620	1790	0.11	
	48	13200	1560	0.15	
	54	12760	1390	0.19	
	60	12290	1250	0.24	
	66	11800	1130	0.28	1070
	72	11290	1040	0.34	900
	84	10010	890	0.47	660
	96	8230	780	0.61	500
	108	6520	690	0.77	400
	120	5280	620	0.95	320
	132	4360	560	1.14	260
	144	3660	520	1.38	220
	156	3120	480	1.62	190
	168	2690	440	1.86	160
	180	-	410	2.13	140
	192	-	2,390	2.46	120
	204	-	390	2.46	120
	216	-	340	3.05	100
	228	-	320	3.38	80
	240	-	310	3.82	80

(Continued on next page.)

G-STRUT® Channel – G712 / G712A *(Continued from previous page.)***Beam & Column Loads**

Strut Section Number	Beam Span or Column Height	Maximum Column Load	Total Uniform Load at 25,000 PSI	Deflection at 25,000 PSI	Uniform Load at 1/240 Span Deflection
	in.	lbs.	lbs.	in.	lbs.
G712A	12	31020	18460	0	-
	18	30770	12310	0.01	-
	24	30500	9230	0.02	-
	30	210	7380	0.03	-
	36	2990	6150	0.04	-
	42	29570	5270	0.06	-
	48	28830	4610	0.08	-
	54	27440	4100	0.1	-
	60	26200	3690	0.13	-
	66	24770	3350	0.16	-
	72	23260	3070	0.19	-
	84	20020	2630	0.25	-
	96	16460	2300	0.33	-
	108	13040	2050	0.42	-
	120	10560	1840	0.52	1740
	132	8730	1670	0.63	1430
	144	7330	1530	0.75	1200
	156	6250	1420	0.89	1020
	168	5390	1310	1.03	880
	180	-	1230	1.19	770
	192	-	1150	1.35	670
	204	-	1080	1.52	600
	216	-	1020	1.7	530
	228	-	970	1.91	480
	240	-	920	2.11	430

(Continued on next page.)

G-STRUT® Channel – G712 / G712A *(Continued from previous page.)*

For perforated channels, reduce total beam load values as follows:

G712 / G712A	OS	20%
G712 / G712A	LS	33%
G712 / G712A	H	12%
G712 / G712A	KO	5%

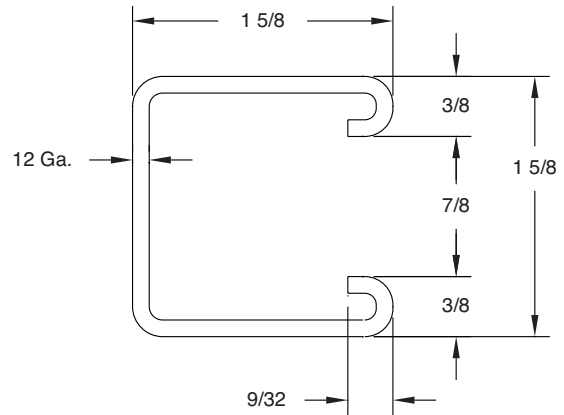
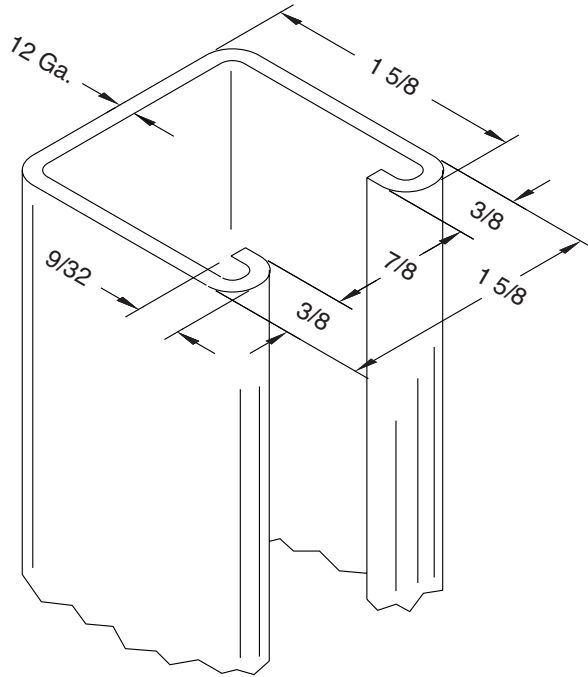
$E = 29000$; $F_y = 42700$; $K = 0.8$

BEAM LOADS

Loads listed are distributed uniformly. For loads concentrated at center of span, multiply uniform load by 0.5 and deflection by 0.8. Where deflection is not a factor, use stress of 25,000 PSI. When deflection is a factor, use deflection of 1/240 span.

COLUMN LOADS

Column loads are for allowable axial loads for the unsupported heights listed (including a K value of 0.80). Column loads must be reduced for eccentric loading.



	G582OS	[Oval-Slot]
	9/16" x 1-18" - 2" ON CTR	
	G582LS	[Long-Slot]
	13/32" x 3" - 4" ON CTR	
	G582H	[Holes]
	9/16" DIAM. - 1-7/8" ON CTR	
	G582A	[Back-to-Back]
	WELDED	
	G582AOS	[Back-to-Back Oval-Slot]
	WELDED	
	G582KO	[Knock-Out]
	7/8" DIAM. - 6" ON CTR	

ENGINEERING DATA

THIS DRAWING IS THE PROPERTY OF GREGORY STRUT PRODUCT AND IS LOANED TO THE USER FOR THE EXCLUSIVE USE OF THE USER. IT IS NOT TO BE REPRODUCED OR COPIED IN ANY MANNER OR FOR ANY PURPOSE AND IS NOT TO BE USED IN WHOLE OR IN PART TO ASSIST IN MAKING OR TO REPRODUCE ANY PARTS OR COMPONENTS OF ANY MACHINE OR EQUIPMENT. ANY INFORMATION FOR THE MAKING OF DRAWINGS, PRINTS, APPARATUS OR PARTS THEREOF, THIS DRAWING SHALL BE RETURNED TO GREGORY STRUT PRODUCT UPON REQUEST. THE ACCEPTANCE OF THIS DRAWING WILL BE CONSIDERED AS AN ACCEPTANCE OF THE FOREGOING CONDITIONS AND AS AN ADMISSION OF THE EXCLUSIVE OWNERSHIP IN AND TO THE DRAWING OF GREGORY STRUT PRODUCTS.

ITEM	QNT'Y	DESCRIPTION	MATERIAL
		ROLLFORM TOLERANCES	
SCALE FULL		CHK'D BY	LENGTH ± 0.125"
DWN BY IDI 02-02-02		APP'D BY	ALL OTHER DIMENSIONS ± 0.020"
G-STRUT CHANNEL, PART # G582			
CAD FILENAME: G582		GREGORY STRUT PRODUCTS Division of Gregory Industries 4100 13th Street SW; Canton, OH 44710 PH: 330-477-4800 FX: 330-477-0626	REF. No.
LAST PLOT DATE: 02-02-02			DRWG No. G582

G-STRUT® Channel – G582 / G582A

1-5/8" x 1-5/8" (1.625" x 1.625")

12 gauge (0.102" thick)

Elements of Section

Strut Section Number	Weight/ Foot lbs.	Area of Section in. ²	XX-AXIS			YY-AXIS		
			Moment of Inertia in. ⁴	Section Modulus in. ³	Radius of Gyration in.	Moment of Inertia in. ⁴	Section Modulus in. ³	Radius of Gyration in.
G582	1.827	0.537	0.178	0.194	0.576	0.230	0.283	0.654
G582A	3.655	1.074	0.891	0.548	0.911	0.460	0.566	0.654

Beam & Column Loads

Strut Section Number	Beam Span or Column Height	Maximum Column Load	Total Uniform Load at 25,000 PSI	Deflection at 25,000 PSI	Uniform Load at 1/240 Span Deflection
G582	12	10960	3230	0.01	-
	18	10630	2150	0.03	-
	24	10250	1610	0.05	-
	30	9830	1290	0.08	-
	36	9370	1070	0.12	-
	42	8870	920	0.17	-
	48	8330	800	0.22	710
	54	7750	710	0.28	560
	60	7140	640	0.34	450
	66	6490	580	0.42	370
	72	5790	530	0.49	310
	84	4360	460	0.68	230
	96	3340	400	0.89	170
	108	2640	350	1.11	140
	120	2140	320	1.39	110
	132	1760	290	1.68	90
	144	-	260	1.95	70
	156	-	240	2.29	60
	168	-	230	2.75	50
	180	-	210	3.08	50
	192	-	200	3.57	30
	204	-	190	4.06	30
	216	-	170	4.32	30
	228	-	170	5.08	30
	240	-	160	5.75	20

(Continued on next page.)

G-STRUT® Channel – G582 / G582A *(Continued from previous page.)***Beam & Column Loads**

Strut Section Number	Beam Span or Column Height	Maximum Column Load	Total Uniform Load at 25,000 PSI	Deflection at 25,000 PSI	Uniform Load at 1/240 Span Deflection
	in.	lbs.	lbs.	in.	lbs.
G582A	12	22450	9130	0.00	-
	18	22150	6080	0.01	-
	24	21820	4560	0.03	-
	30	21460	3650	0.04	-
	36	21080	3040	0.07	-
	42	20660	2600	0.09	-
	48	20220	2280	0.12	-
	54	19760	2020	0.16	-
	60	19270	1820	0.19	-
	66	18400	1660	0.24	-
	72	17180	1520	0.28	-
	84	14530	1300	0.38	1170
	96	11630	1140	0.50	890
	108	9180	1010	0.64	700
	120	7440	910	0.79	570
	132	6150	830	0.96	470
	144	5160	760	1.14	390
	156	4400	700	1.33	330
	168	-	650	1.55	290
	180	-	600	1.76	250
	192	-	570	2.03	220
	204	-	530	2.26	190
	216	-	500	2.53	170
	228	-	480	2.86	150
	240	-	450	3.13	140

(Continued on next page.)

G-STRUT® Channel – G582 / G582A *(Continued from previous page.)*

For perforated channels, reduce total beam load values as follows:

G582 / G582A	OS	21%
G582 / G582A	LS	34%
G582 / G582A	H	13%
G582 / G582A	KO	5%

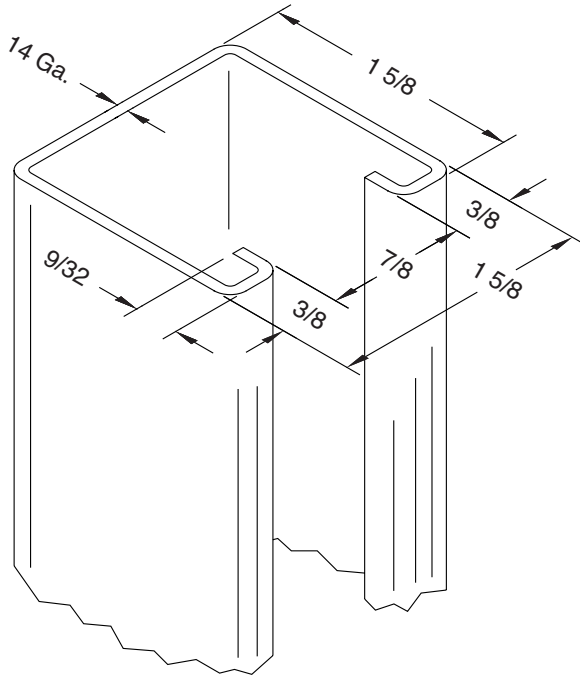
$E = 29000$; $F_y = 42700$; $K = 0.8$

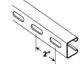
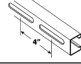
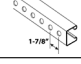
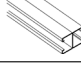
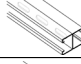

BEAM LOADS

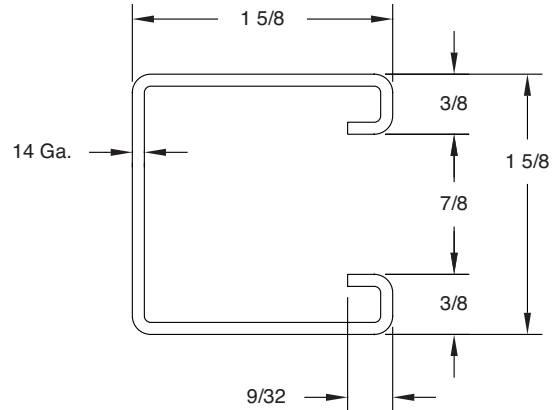
Loads listed are distributed uniformly. For loads concentrated at center of span, multiply uniform load by 0.5 and deflection by 0.8. Where deflection is not a factor, use stress of 25,000 PSI. When deflection is a factor, use deflection of 1/240 span.

COLUMN LOADS

Column loads are for allowable axial loads for the unsupported heights listed (including a K value of 0.80). Column loads must be reduced for eccentric loading.



	G584OS [Oval-Slot] 9/16" x 1-1/8" - 2" ON CTR
	G584LS [Long-Slot] 13/32" x 3" - 4" ON CTR
	G584H [Holes] 9/16" DIAM. - 1-7/8" ON CTR
	G584A [Back-to-Back] WELDED
	G584AOS [Back-to-Back] WELDED Oval-Slot
	G584KO [Knock-Out] 7/8" DIAM. - 6" ON CTR



THIS DRAWING IS THE PROPERTY OF GREGORY STRUT PROD. AND IS LOANED TO YOU FOR YOUR CONSTRUCTION PROJECT ONLY. IT IS NOT TO BE REPRODUCED, COPIED, OR TRANSMITTED IN ANY MANNER WITHOUT THE EXPRESS WRITTEN PERMISSION OF GREGORY STRUT PRODUCTS. ANY UNAUTHORIZED USE OF THIS DRAWING IS PROHIBITED. ALL RIGHTS ARE RESERVED.

ITEM	QNT'Y	DESCRIPTION	MATERIAL
		ROLLFORM TOLERANCES	
SCALE FULL		LENGTH ± 0.125	
DWN BY IDI 02-02-02		ALL OTHER DIMENSIONS ± 0.020"	
G-STRUT CHANNEL, PART # G584			
CAD FILENAME: G584		GREGORY STRUT PRODUCTS Division of Gregory Industries 4100 13th Street SW; Canton, OH 44710 PH: 330-477-4800 FX: 330-477-0626	
LAST PLOT DATE: 02-02-02			
		G584	

G-STRUT® Channel – G584 / G584A

1-5/8" x 1-5/8" (1.625" x 1.625")

14 gauge (0.077" thick)

Elements of Section

Strut Section Number	Weight/ Foot lbs.	Area of Section in. ²	XX-AXIS			YY-AXIS		
			Moment of Inertia in. ⁴	Section Modulus in. ³	Radius of Gyration in.	Moment of Inertia in. ⁴	Section Modulus in. ³	Radius of Gyration in.
G584	1.429	0.42	0.146	0.16	0.59	0.184	0.226	0.662
G584A	2.858	0.84	0.721	0.444	0.926	0.368	0.453	0.662

Beam & Column Loads

Strut Section Number	Beam Span or Column Height	Maximum Column Load	Total Uniform Load at 25,000 PSI	Deflection at 25,000 PSI	Uniform Load at 1/240 Span Deflection
G584	12	8630	2660	0.01	-
	18	8370	1770	0.03	-
	24	8090	1330	0.05	-
	30	7760	1060	0.08	-
	36	7410	880	0.12	-
	42	7030	760	0.17	-
	48	6620	660	0.22	580
	54	6190	590	0.28	460
	60	5720	530	0.35	370
	66	5230	480	0.42	310
	72	4710	440	0.5	260
	84	3590	380	0.69	190
	96	2750	330	0.89	140
	108	2170	290	1.12	110
	120	1760	260	1.38	90
	132	1450	240	1.69	70
	144	-	220	2.02	60
	156	-	200	2.33	50
	168	-	190	2.77	40
	180	-	170	3.04	40
	192	-	160	3.48	30
	204	-	150	3.91	30
	216	-	140	4.33	20
	228	-	140	5.1	20
	240	-	130	5.52	20

(Continued on next page.)

G-STRUT® Channel – G584 / G584A *(Continued from previous page.)***Beam & Column Loads**

Strut Section Number	Beam Span or Column Height	Maximum Column Load	Total Uniform Load at 25,000 PSI	Deflection at 25,000 PSI	Uniform Load at 1/240 Span Deflection
	in.	lbs.	lbs.	in.	lbs.
G584A	12	17650	7400	0	-
	18	17420	4930	0.01	-
	24	17160	3700	0.03	-
	30	16890	2960	0.04	-
	36	16590	2460	0.07	-
	42	16270	2110	0.09	-
	48	15930	1850	0.12	-
	54	15570	1640	0.16	-
	60	15200	1480	0.19	-
	66	14520	1340	0.23	-
	72	13580	1230	0.28	-
	84	11550	1050	0.38	940
	96	9320	920	0.5	720
	108	7360	820	0.64	570
	120	5960	740	0.79	460
	132	4920	670	0.95	380
	144	4140	310	1.13	320
	156	3520	560	1.32	270
	168	-	520	1.53	230
	180	-	490	1.77	200
	192	-	460	2.02	180
	204	-	430	2.27	160
	216	-	410	2.57	140
	228	-	380	2.8	120
	240	-	370	3.18	110

(Continued on next page.)

G-STRUT® Channel – G584 / G584A *(Continued from previous page.)*

For perforated channels, reduce total beam load values as follows:

G584 / G584A	OS	21%
G584 / G584A	LS	34%
G584 / G584A	H	13%
G584 / G584A	KO	5%

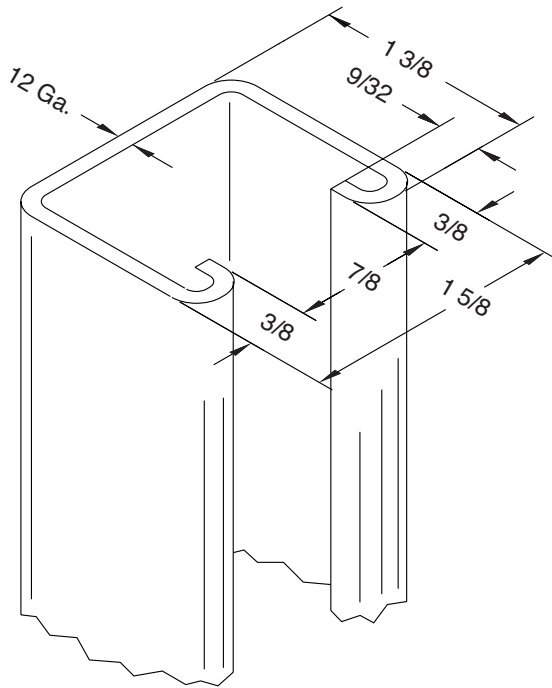
E = 29000; F_y = 42700; K = 0.8

BEAM LOADS

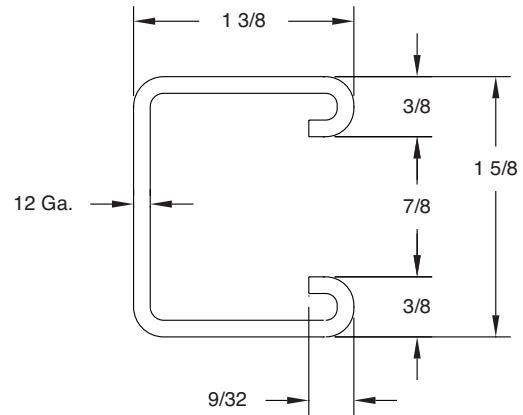
Loads listed are distributed uniformly. For loads concentrated at center of span, multiply uniform load by 0.5 and deflection by 0.8. Where deflection is not a factor, use stress of 25,000 PSI. When deflection is a factor, use deflection of 1/240 span.

COLUMN LOADS

Column loads are for allowable axial loads for the unsupported heights listed (including a K value of 0.80). Column loads must be reduced for eccentric loading.



	G382OS	[Oval-Slot]
	9/16" x 1-1/8" - 2" ON CTR	
	G382LS	[Long-Slot]
	13/32" x 3" - 4" ON CTR	
	G382H	[Holes]
	9/16" DIAM. - 1-7/8" ON CTR	
	G382A	[Back-to-Back]
	WELDED	
	G382AOS	[Back-to-Back Oval-Slot]
	WELDED	
	G382KO	[Knock-Out]
	7/8" DIAM. - 6" ON CTR	



THIS DRAWING IS THE PROPERTY OF GREGORY STRUT PROD. AND IS LOANED TO YOU FOR YOUR CONVENIENCE ONLY. IT IS NOT TO BE REPRODUCED, COPIED, OR OTHERWISE DISSEMINATED WITHOUT THE WRITTEN PERMISSION OF GREGORY STRUT PROD. ANY AND ALL RIGHTS ARE RESERVED. ANY AND ALL INFORMATION FOR THE MAKING OF DRAWINGS, PRINTS, APPARATUS OR PARTS THEREOF, THIS DRAWING SHALL BE RETURNED TO GREGORY STRUT PROD. UPON REQUEST. THE ACCEPTANCE OF THIS DRAWING WILL BE CONSIDERED AS AN ACCEPTANCE OF THE FOREGOING CONDITIONS AND AS AN ADMISSION OF THE EXCLUSIVE OWNERSHIP IN AND TO THE DRAWING OF GREGORY STRUT PRODUCTS.

ITEM	QNT'Y	DESCRIPTION	MATERIAL
		ROLLFORM TOLERANCES	
SCALE	FULL	CHK'D BY	LENGTH ± 0.125"
DWN BY	IDI	02-02-02	APP'D BY
G-STRUT CHANNEL, PART # G382			
CAD FILENAME: G382		GREGORY STRUT PRODUCTS Division of Gregory Industries 4100 13th Street SW; Canton, OH 44710 PH: 330-477-4800 FX: 330-477-0626	
LAST PLOT DATE: 02-02-02			
		G382	

G-STRUT® Channel – G382 / G382A

1-5/8" x 1-3/8" (1.625" x 1.375")

12 gauge (0.102" thick)

Elements of Section

Strut Section Number	Weight/ Foot lbs.	Area of Section in. ²	XX-AXIS			YY-AXIS		
			Moment of Inertia in. ⁴	Section Modulus in. ³	Radius of Gyration in.	Moment of Inertia in. ⁴	Section Modulus in. ³	Radius of Gyration in.
G382	1.654	0.486	0.116	0.147	0.489	0.2	0.246	0.642
G382A	3.308	0.972	0.567	0.412	0.764	0.4	0.492	0.642

Beam & Column Loads

Strut Section Number	Beam Span or Column Height	Maximum Column Load	Total Uniform Load at 25,000 PSI	Deflection at 25,000 PSI	Uniform Load at 1/240 Span Deflection
	in.	lbs.	lbs.	in.	lbs.
G382	12	9620	2450	0.01	-
	18	9250	1630	0.03	-
	24	8820	1220	0.06	-
	30	8340	980	0.1	-
	36	7820	810	0.14	-
	42	7250	700	0.2	610
	48	6630	610	0.26	460
	54	5970	540	0.32	360
	60	5260	490	0.4	290
	66	4490	440	0.48	240
	72	3780	400	0.57	200
	84	2770	350	0.8	150
	96	2120	300	1.02	110
	108	1680	270	1.31	90
	120	-	240	1.6	70
	132	-	220	1.95	60
	144	-	200	2.31	50
156	-	180	2.64	40	
168	-	170	3.12	30	
180	-	160	3.61	30	
192	-	150	4.1	20	
204	-	140	4.6	20	
216	-	130	5.07	20	
228	-	120	5.5	20	
240	-	120	6.42	10	

(Continued on next page.)

G-STRUT® Channel – G382 / G382A *(Continued from previous page.)***Beam & Column Loads**

Strut Section Number	Beam Span or Column Height	Maximum Column Load	Total Uniform Load at 25,000 PSI	Deflection at 25,000 PSI	Uniform Load at 1/240 Span Deflection
	in.	lbs.	lbs.	in.	lbs.
G584A	12	19800	6860	0	-
	18	19480	4570	0.02	-
	24	19110	3430	0.03	-
	30	18710	2740	0.05	-
	36	18280	2280	0.08	-
	42	17810	1960	0.11	-
	48	17310	1710	0.14	-
	54	16790	1520	0.18	-
	60	16230	1370	0.23	-
	66	15650	1240	0.28	1200
	72	15040	1140	0.33	1010
	84	12820	980	0.45	740
	96	10140	850	0.59	570
	108	8010	760	0.75	450
	120	6490	680	0.93	360
	132	5360	620	1.12	300
	144	4500	570	1.34	250
	156	3840	520	1.56	210
	168	-	490	1.83	180
	180	-	450	2.07	160
	192	-	420	2.35	140
	204	-	400	2.68	120
	216	-	380	3.03	110
	228	-	360	3.37	100
	240	-	340	3.72	90

(Continued on next page.)

G-STRUT® Channel – G382 / G382A *(Continued from previous page.)*

For perforated channels, reduce total beam load values as follows:

G382 / G382A	OS	21%
G382 / G382A	LS	34%
G382 / G382A	H	13%
G382 / G382A	KO	6%

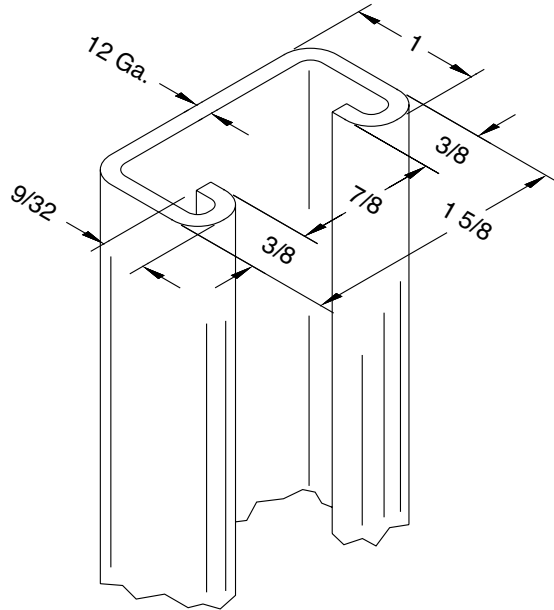
$E = 29000$; $F_y = 42700$; $K = 0.8$

BEAM LOADS

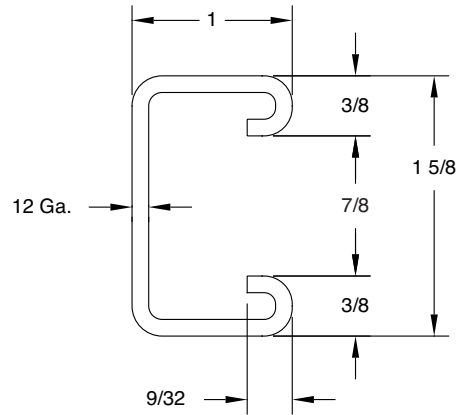
Loads listed are distributed uniformly. For loads concentrated at center of span, multiply uniform load by 0.5 and deflection by 0.8. Where deflection is not a factor, use stress of 25,000 PSI. When deflection is a factor, use deflection of 1/240 span.

COLUMN LOADS

Column loads are for allowable axial loads for the unsupported heights listed (including a K value of 0.80). Column loads must be reduced for eccentric loading.



	G102OS [Oval-Slot]
	9/16" x 1-1/8" - 2" ON CTR
	G102LS [Long-Slot]
	13/32" x 3" - 4" ON CTR
	G102H [Holes]
	9/16" DIAM. - 1-7/8" ON CTR
	G102A [Back-to-Back]
	WELDED
	G102AOS [Back-to-Back]
	WELDED Oval-Slot]
	G102KO [Knock-Out]
	7/8" DIAM. - 6" ON CTR



THIS DRAWING IS THE PROPERTY OF GREGORY FENCE PRODUCTS AND IS LOANED TO YOU FOR YOUR CONSIDERATION ONLY. IT IS NOT TO BE REPRODUCED OR OTHERWISE DISSEMINATED WITHOUT THE WRITTEN CONSENT OF GREGORY FENCE PRODUCTS. ANY INFORMATION FOR THE MAKING OF DRAWINGS, PARTS, APPARATUS OR PARTS THEREOF SHALL BE RETURNED TO GREGORY FENCE PRODUCTS UPON REQUEST. THE ACCEPTANCE OF THIS DRAWING WILL BE CONSTRUED AS AN ACCEPTANCE OF THE FOREGOING CONDITIONS AND AS AN ADMISSION OF THE EXCLUSIVE OWNERSHIP IN AND TO THE DRAWING OF GREGORY FENCE PRODUCTS.

ITEM	QNT'Y	DESCRIPTION	MATERIAL
		ROLLFORM TOLERANCES	
SCALE FULL		CHK'D BY	LENGTH ± 0.125"
DWN BY	IDI 02-02-02	APP'D BY	ALL OTHER DIMENSIONS ± 0.020"
G-STRUT CHANNEL, PART #G102			
CAD FILENAME: G102		GREGORY STRUT PRODUCTS Division of Gregory Industries 4100 13th Street SW; Canton, OH 44710 PH: 330-477-4800 FX: 330-477-0626	REF. No.
LAST PLOT DATE: 02-02-02			DRWG No. G102

G-STRUT® Channel – G102 / G102A

1-5/8" x 1" (1.625" x 1.00")

12 gauge (0.102" thick)

Elements of Section

Strut Section Number	Weight/ Foot lbs.	Area of Section in. ²	XX-AXIS			YY-AXIS		
			Moment of Inertia in. ⁴	Section Modulus in. ³	Radius of Gyration in.	Moment of Inertia in. ⁴	Section Modulus in. ³	Radius of Gyration in.
G102	1.395	0.41	0.051	0.087	0.353	0.156	0.192	0.617
G102A	2.79	0.82	0.241	0.241	0.542	0.312	0.384	0.617

Beam & Column Loads

Strut Section Number	Beam Span or Column Height	Maximum Column Load	Total Uniform Load at 25,000 PSI	Deflection at 25,000 PSI	Uniform Load at 1/240 Span Deflection
	in.	lbs.	lbs.	in.	lbs.
G102	12	7530	1450	0.02	-
	18	7060	960	0.04	-
	24	6520	720	0.08	-
	30	5910	580	0.13	520
	36	5220	480	0.19	360
	42	4460	410	0.26	260
	48	3630	360	0.35	200
	54	2870	320	0.44	160
	60	2320	290	0.55	130
	66	1920	260	0.65	100
	72	1610	240	0.78	90
	84	-	200	1.04	60
	96	-	180	1.4	50
	108	-	160	1.77	40
	120	-	140	2.12	30
	132	-	130	2.63	20
	144	-	120	3.15	20
	156	-	110	3.67	10
	168	-	100	4.17	10
	180	-	90	4.62	10
192	-	90	5.6	10	
204	-	80	5.97	10	
216	-	80	7.09	10	
228	-	70	7.3	0	
240	-	70	8.51	0	

(Continued on next page.)

G-STRUT® Channel – G102 / G102A *(Continued from previous page.)***Beam & Column Loads**

Strut Section Number	Beam Span or Column Height	Maximum Column Load	Total Uniform Load at 25,000 PSI	Deflection at 25,000 PSI	Uniform Load at 1/240 Span Deflection
	in.	lbs.	lbs.	in.	lbs.
G102A	12	15760	4010	0.01	-
	18	15360	2670	0.02	-
	24	14900	2000	0.05	-
	30	14400	1600	0.08	-
	36	13840	1330	0.11	-
	42	13240	1140	0.15	-
	48	12600	1000	0.2	-
	54	11910	890	0.26	760
	60	11190	800	0.32	620
	66	10420	730	0.39	510
	72	9600	660	0.45	430
	84	7850	570	0.62	310
	96	6060	500	0.82	240
	108	4790	440	1.03	190
	120	3880	400	1.28	150
	132	3210	360	1.54	120
	144	-	330	1.83	100
	156	-	300	2.12	90
	168	-	280	2.47	70
	180	-	260	2.82	60
	192	-	250	3.29	60
	204	-	230	3.63	50
	216	-	220	4.13	40
	228	-	210	4.63	40
	240	-	200	5.15	30

(Continued on next page.)

G-STRUT® Channel – G102 / G102A *(Continued from previous page.)*

For perforated channels, reduce total beam load values as follows:

G102 / G102A	OS	22%
G102 / G102A	LS	35%
G102 / G102A	H	13%
G102 / G102A	KO	6%

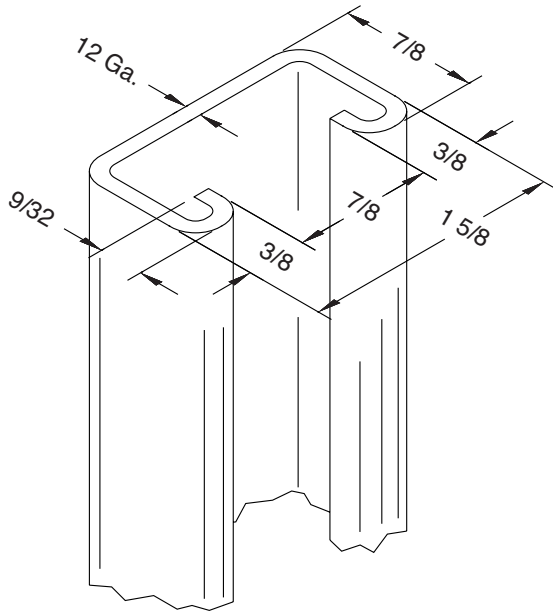
$E = 29000$; $F_y = 42700$; $K = 0.8$

BEAM LOADS

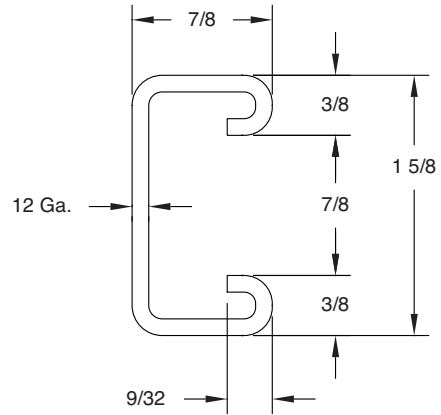
Loads listed are distributed uniformly. For loads concentrated at center of span, multiply uniform load by 0.5 and deflection by 0.8. Where deflection is not a factor, use stress of 25,000 PSI. When deflection is a factor, use deflection of 1/240 span.

COLUMN LOADS

Column loads are for allowable axial loads for the unsupported heights listed (including a K value of 0.80). Column loads must be reduced for eccentric loading.



	G782OS	[Oval-Slot]
	9/16" x 1-1/8" – 2" ON CTR	
	G782LS	[Long-Slot]
	13/32" x 3" – 4" ON CTR	
	G782H	[Holes]
	9/16" DIAM. – 1-7/8" ON CTR	
	G782A	[Back-to-Back]
	WELDED	
	G782AOS	[Back-to-Back Oval-Slot]
	WELDED	
	G782KO	[Knock-Out]
	7/8" DIAM. – 6" ON CTR	



ENGINEERING DATA

ITEM	QNT'Y	DESCRIPTION	MATERIAL
		ROLLFORM TOLERANCES	
SCALE FULL		CHK'D BY	LENGTH ± 0.125"
DWN BY	IDI 02-02-02	APP'D BY	ALL OTHER DIMENSIONS ± 0.020"
G-STRUT CHANNEL, PART :G782			
CAD FILENAME: G782		GREGORY STRUT PRODUCTS Division of Gregory Industries 4100 13th Street SW; Canton, OH 44710 PH: 330-477-4800 FX: 330-477-0626	REF. No.
LAST PLOT DATE: 02-02-02			DRWG No. G782

THIS DRAWING IS THE PROPERTY OF GREGORY STRUT PRODUCT AND IS LOANED TO YOU FOR YOUR CONSIDERATION ONLY. IT IS NOT TO BE REPRODUCED OR OTHERWISE DISPOSED OF DIRECTLY OR INDIRECTLY AND IS NOT TO BE USED IN WHOLE OR IN PART TO ASSIST IN MAKING OR TO PERFORM ANY INFORMATION FOR THE MAKING OF DRAWINGS, PRINTS, APPARATUS OR PARTS THEREOF. THIS DRAWING SHALL BE RETURNED TO GREGORY STRUT PRODUCT UPON REQUEST. THE ACCEPTANCE OF THIS DRAWING WILL BE CONSTRUED AS AN ACCEPTANCE OF THE FOREGOING CONDITIONS AND AN ADMISSION OF THE EXCLUSIVE OWNERSHIP IN AND TO THE DRAWING OF GREGORY STRUT PRODUCTS.

G-STRUT® Channel – G782 / G782A

1-5/8" x 7/8" (1.625" x 0.875")

12 gauge (0.102" thick)

Elements of Section

Strut Section Number	Weight/ Foot lbs.	Area of Section in. ²	XX-AXIS			YY-AXIS		
			Moment of Inertia in. ⁴	Section Modulus in. ³	Radius of Gyration in.	Moment of Inertia in. ⁴	Section Modulus in. ³	Radius of Gyration in.
G782	1.307	0.384	0.037	0.069	0.306	0.141	0.174	0.606
G782A	2.613	0.768	0.168	0.192	0.468	0.282	0.347	0.606

Beam & Column Loads

Strut Section Number	Beam Span or Column Height	Maximum Column Load	Total Uniform Load at 25,000 PSI	Deflection at 25,000 PSI	Uniform Load at 1/240 Span Deflection
	in.	lbs.	lbs.	in.	lbs.
G782	12	6820	1150	0.02	-
	18	6290	760	0.05	-
	24	5680	570	0.09	-
	30	4970	460	0.15	370
	36	4180	380	0.22	250
	42	3300	320	0.29	180
	48	2520	280	0.38	140
	54	1990	250	0.49	110
	60	1610	230	0.61	90
	66	1330	200	0.71	70
	72	1120	190	0.88	60
	84	-	160	1.18	40
	96	-	140	1.54	30
	108	-	120	1.88	20
	120	-	110	2.37	20
	132	-	100	2.86	10
	144	-	90	3.35	10
	156	-	80	3.78	10
	168	-	80	4.73	10
	180	-	70	5.09	10
	192	-	70	6.17	0
	204	-	60	6.35	0
	216	-	60	7.54	0
	228	-	60	8.86	0
	240	-	50	8.63	0

(Continued on next page.)

G-STRUT® Channel – G782 / G782A *(Continued from previous page.)***Beam & Column Loads**

Strut Section Number	Beam Span or Column Height	Maximum Column Load	Total Uniform Load at 25,000 PSI	Deflection at 25,000 PSI	Uniform Load at 1/240 Span Deflection
	in.	lbs.	lbs.	in.	lbs.
G782A	12	14430	3200	0.01	-
	18	13980	2130	0.03	-
	24	13460	1600	0.05	-
	30	12890	1280	0.09	-
	36	12260	1060	0.13	-
	42	11580	910	0.18	880
	48	10850	800	0.23	670
	54	10060	710	0.29	530
	60	9230	640	0.36	430
	66	8340	580	0.44	350
	72	7400	530	0.52	300
	84	5510	450	0.71	220
	96	4220	400	0.94	160
	108	3330	350	1.17	130
	120	-	320	1.47	100
	132	-	290	1.78	80
	144	-	260	2.07	70
	156	-	240	2.43	60
	168	-	220	2.78	50
	180	-	210	3.27	40
	192	-	200	3.78	40
	204	-	180	4.08	30
	216	-	170	4.57	30
	228	-	160	5.06	20
	240	-	160	5.91	20

(Continued on next page.)

G-STRUT® Channel – G782 / G782A *(Continued from previous page.)*

For perforated channels, reduce total beam load values as follows:

G782 / G782A	OS	22%
G782 / G782A	LS	46%
G782 / G782A	H	20%
G782 / G782A	KO	11%

E = 29000; F_y = 42700; K = 0.8

BEAM LOADS

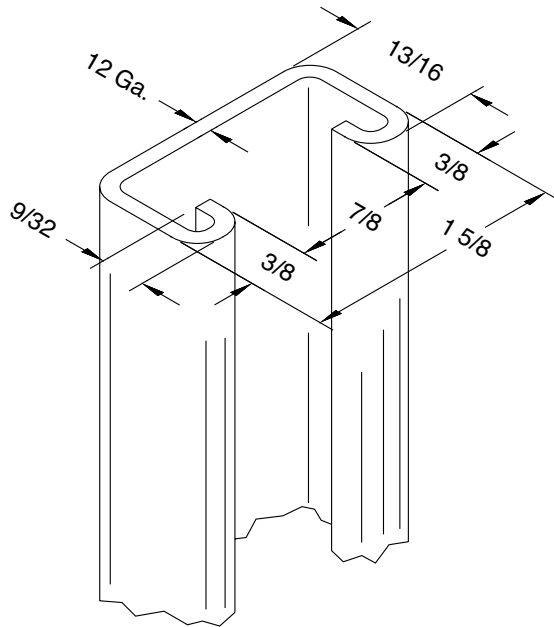
Loads listed are distributed uniformly. For loads concentrated at center of span, multiply uniform load by 0.5 and deflection by 0.8. Where deflection is not a factor, use stress of 25,000 PSI. When deflection is a factor, use deflection of 1/240 span.

COLUMN LOADS

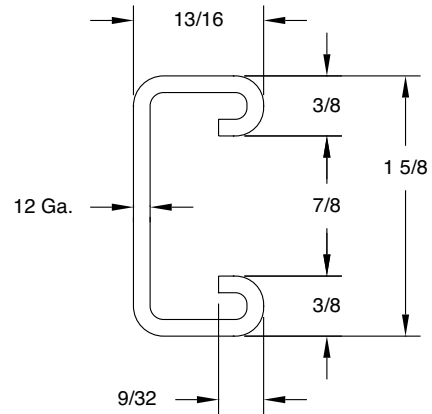
Column loads are for allowable axial loads for the unsupported heights listed (including a K value of 0.80). Column loads must be reduced for eccentric loading.

G-STRUT®

Section 7



	G132OS [Oval-Slot]
	9/16" x 1-1/8" - 2" ON CTR
	G132LS [Long-Slot]
	13/32" x 3" - 4" ON CTR
	G132H [Holes]
	9/16" DIAM. - 1-7/8" ON CTR
	G132A [Back-to-Back]
	WELDED
	G132AOS [Back-to-Back]
	WELDED Oval-Slot]
	G132KO [Knock-Out]
	7/8" DIAM. - 6" ON CTR



THIS DRAWING IS THE PROPERTY OF GREGORY STRUT PRODUCTS AND IS LOANED TO YOU WITHOUT OTHER CONSIDERATION THAN THE AGREEMENT AND CONDITION THAT IT IS NOT TO BE REPRODUCED OR OTHERWISE DISPOSED OF DIRECTLY OR INDIRECTLY AND IS NOT TO BE USED IN WHOLE OR IN PART TO ASSIST IN MAKING OR TO FURNISH ANY INFORMATION FOR THE MAKING OF DRAWINGS, PRINTS, APPARATUS OR PARTS THEREOF. THIS DRAWING SHALL BE RETURNED TO GREGORY STRUT PRODUCTS UPON REQUEST. THE ACCEPTANCE OF THIS DRAWING WILL BE CONSTRUED AS AN ACCEPTANCE OF THE FOREGOING CONDITIONS AND AS AN ADMISSION OF THE EXCLUSIVE OWNERSHIP IN AND TO THE DRAWING OF GREGORY STRUT PRODUCTS.

ITEM	QNT'Y	DESCRIPTION	MATERIAL
		ROLLFORM TOLERANCES	
SCALE	FULL	CHK'D BY	LENGTH ± 0.125"
DWN BY	IDI 02-02-02	APP'D BY	ALL OTHER DIMENSIONS ± 0.020"
G-STRUT CHANNEL, PART #G132			
CAD FILENAME: G132		GREGORY STRUT PRODUCTS Division of Gregory Industries 4100 13th Street SW; Canton, OH 44710 PH: 330-477-4800 FX: 330-477-0626	REF. No.
LAST PLOT DATE: 02-02-02			DRWG No. G132

G-STRUT® Channel – G132 / G132A

1-5/8" x 13/16" (1.625" x 0.8125")

12 gauge (0.102" thick)

Elements of Section

Strut Section Number	Weight/ Foot lbs.	Area of Section in. ²	XX-AXIS			YY-AXIS		
			Moment of Inertia in. ⁴	Section Modulus in. ³	Radius of Gyration in.	Moment of Inertia in. ⁴	Section Modulus in. ³	Radius of Gyration in.
G132	1.262	0.371	0.029	0.06	0.28	0.134	0.165	0.601
G132A	2.525	0.742	0.137	0.169	0.43	0.268	0.33	0.601

Beam & Column Loads

Strut Section Number	Beam Span or Column Height	Maximum Column Load	Total Uniform Load at 25,000 PSI	Deflection at 25,000 PSI	Uniform Load at 1/240 Span Deflection
	in.	lbs.	lbs.	in.	lbs.
G132	12	6430	1000	0.02	-
	18	5860	660	0.05	-
	24	5180	500	0.1	-
	30	4410	400	0.16	290
	36	3530	330	0.23	200
	42	2630	280	0.32	150
	48	2020	250	0.42	110
	54	1590	220	0.53	90
	60	1290	200	0.66	70
	66	1060	180	0.8	60
	72	-	160	0.92	50
	84	-	140	1.28	30
	96	-	120	1.64	20
	108	-	110	2.14	20
	120	-	100	2.67	10
	132	-	90	3.2	10
	144	-	80	3.69	10
	156	-	70	4.11	10
	168	-	70	5.13	0
	180	-	60	5.41	0
	192	-	60	6.57	0
	204	-	50	6.57	0
	216	-	50	7.8	0
	228	-	50	9.17	0
	240	-	50	10.7	0

(Continued on next page.)

G-STRUT® Channel – G132 / G132A *(Continued from previous page.)***Beam & Column Loads**

Strut Section Number	Beam Span or Column Height	Maximum Column Load	Total Uniform Load at 25,000 PSI	Deflection at 25,000 PSI	Uniform Load at 1/240 Span Deflection
	in.	lbs.	lbs.	in.	lbs.
G132A	12	13720	2810	0.01	-
	18	13240	1870	0.03	-
	24	12690	1400	0.06	-
	30	12080	1120	0.09	-
	36	11400	930	0.14	-
	42	10670	800	0.19	720
	48	9880	700	0.25	550
	54	9030	620	0.31	430
	60	8120	560	0.39	350
	66	7150	510	0.48	290
	72	6110	460	0.56	240
	84	4490	400	0.77	180
	96	3440	350	1.01	130
	108	-	310	1.27	100
	120	-	280	1.58	80
	132	-	250	1.88	70
	144	-	230	2.25	60
	156	-	210	2.61	50
	168	-	200	3.1	40
	180	-	180	3.44	30
	192	-	170	3.94	30
	204	-	160	4.45	30
	216	-	150	4.95	20
	228	-	140	5.43	20
	240	-	140	6.34	20

(Continued on next page.)

G-STRUT® Channel – G132 / G132A *(Continued from previous page.)*

For perforated channels, reduce total beam load values as follows:

G132 / G132A	OS	22%
G132 / G132A	LS	35%
G132 / G132A	H	14%
G132 / G132A	KO	6%

$E = 29000$; $F_y = 42700$; $K = 0.8$

BEAM LOADS

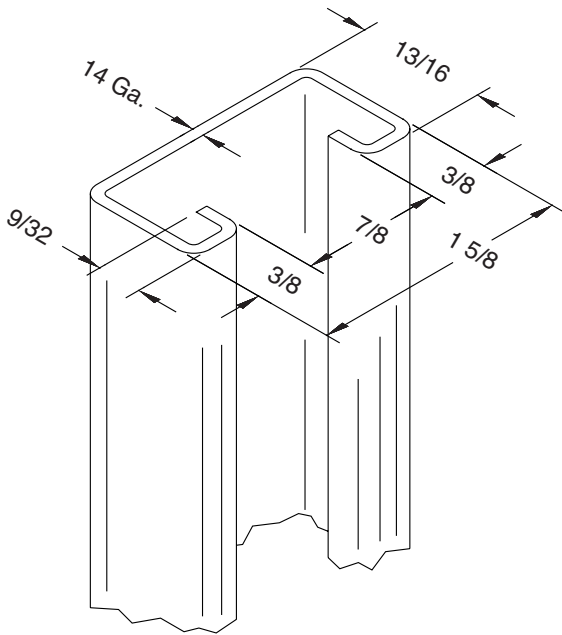
Loads listed are distributed uniformly. For loads concentrated at center of span, multiply uniform load by 0.5 and deflection by 0.8. Where deflection is not a factor, use stress of 25,000 PSI. When deflection is a factor, use deflection of 1/240 span.

COLUMN LOADS

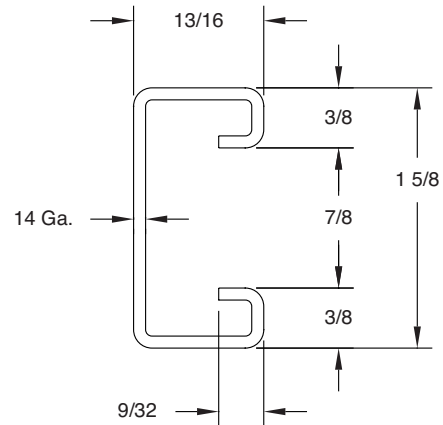
Column loads are for allowable axial loads for the unsupported heights listed (including a K value of 0.80). Column loads must be reduced for eccentric loading.

G-STRUT®

Section 7



	G134OS [Oval-Slot] 9/16" x 1-1/8" - 2" ON CTR
	G134LS [Long-Slot] 13/32" x 3" - 4" ON CTR
	G134H [Holes] 9/16" DIAM. - 1-7/8" ON CTR
	G134A [Back-to-Back] WELDED
	G134AOS [Back-to-Back] WELDED Oval Slot
	G134KO [Knock-Out] 7/8" DIAM. - 6" ON CTR



THIS DRAWING IS THE PROPERTY OF GREGORY STRUT PROD. AND IS LOANED TO THE USER FOR THE EXCLUSIVE PURPOSE OF THE PROJECT SPECIFIED HEREIN. IT IS NOT TO BE REPRODUCED OR OTHERWISE DISSEMINATED WITHOUT THE WRITTEN CONSENT OF GREGORY STRUT PRODUCTS. ANY REPRODUCTION OR DISSEMINATION WITHOUT SUCH CONSENT IS STRICTLY PROHIBITED. THE USER SHALL BE RESPONSIBLE FOR OBTAINING ALL NECESSARY PERMITS AND APPROVALS FOR THE USE OF THIS DRAWING. THE USER SHALL BE RESPONSIBLE FOR OBTAINING ALL NECESSARY PERMITS AND APPROVALS FOR THE USE OF THIS DRAWING. THE USER SHALL BE RESPONSIBLE FOR OBTAINING ALL NECESSARY PERMITS AND APPROVALS FOR THE USE OF THIS DRAWING.

ITEM	QNT'Y	DESCRIPTION	MATERIAL
		ROLLFORM TOLERANCES	
SCALE FULL		CHK'D BY	LENGTH ± 0.125"
DWN BY	IDI	02-02-02	APP'D BY
G-STRUT CHANNEL, PART G134			
CAD FILENAME: G134		GREGORY STRUT PRODUCTS Division of Gregory Industries 4100 13th Street SW; Canton, OH 44710 PH: 330-477-4800 FX: 330-477-0626	REF. No.
LAST PLOT DATE: 02-02-02			DRWG No.
			G134

G-STRUT® Channel – G134 / G134A

1-5/8" x 13/16" (1.625" x 0.8125")

14 gauge (0.077" thick)

Elements of Section

Strut Section Number	Weight/ Foot lbs.	Area of Section in. ²	XX-AXIS			YY-AXIS		
			Moment of Inertia in. ⁴	Section Modulus in. ³	Radius of Gyration in.	Moment of Inertia in. ⁴	Section Modulus in. ³	Radius of Gyration in.
G134	1.000	0.294	0.025	0.052	0.292	0.109	0.134	0.609
G134A	2.001	0.588	0.115	0.142	0.442	0.218	0.268	0.609

Beam & Column Loads

Strut Section Number	Beam Span or Column Height	Maximum Column Load	Total Uniform Load at 25,000 PSI	Deflection at 25,000 PSI	Uniform Load at 1/240 Span Deflection
	in.	lbs.	lbs.	in.	lbs.
G134	12	5220	860	0.02	-
	18	4800	570	0.05	-
	24	4300	430	0.1	-
	30	3730	340	0.16	250
	36	3090	280	0.23	170
	42	2380	240	0.31	130
	48	1820	210	0.41	100
	54	1440	190	0.53	70
	60	1170	170	0.65	60
	66	960	150	0.77	50
	72	-	140	0.93	40
	84	-	120	1.27	30
	96	-	100	1.58	20
	108	-	90	2.03	10
	120	-	80	2.48	10
	132	-	70	2.89	10
	144	-	70	3.75	10
	156	-	60	4.09	0
	168	-	60	5.1	0
	180	-	50	5.23	0
	192	-	50	6.35	0
	204	-	50	7.62	0
	216	-	40	7.23	0
	228	-	40	8.51	0
	240	-	40	9.93	0

(Continued on next page.)

G-STRUT® Channel – G134 / G134A *(Continued from previous page.)***Beam & Column Loads**

Strut Section Number	Beam Span or Column Height	Maximum Column Load	Total Uniform Load at 25,000 PSI	Deflection at 25,000 PSI	Uniform Load at 1/240 Span Deflection
	in.	lbs.	lbs.	in.	lbs.
G134A	12	11060	2360	0.01	-
	18	10690	1570	0.03	-
	24	10270	1180	0.06	-
	30	9790	940	0.09	-
	36	9270	780	0.14	-
	42	8700	670	0.19	600
	48	8090	590	0.25	460
	54	7440	520	0.31	360
	60	6740	470	0.39	290
	66	6000	430	0.48	240
	72	5170	390	0.56	200
	84	3790	330	0.76	150
	96	2900	290	1	110
	108	2290	260	1.27	90
	120	-	230	1.55	70
	132	-	210	1.88	60
	144	-	190	2.21	50
	156	-	180	2.66	40
	168	-	160	2.96	30
	180	-	150	3.41	30
	192	-	140	3.86	20
	204	-	130	4.3	20
	216	-	130	5.11	20
	228	-	120	5.55	20
	240	-	110	5.93	10

(Continued on next page.)

G-STRUT® Channel – G134 / G134A *(Continued from previous page.)*

For perforated channels, reduce total beam load values as follows:

G134 / G134A	OS	22%
G134 / G134A	LS	35%
G134 / G134A	H	14%
G134 / G134A	KO	6%

$E = 29000$; $F_y = 42700$; $K = 0.8$

BEAM LOADS

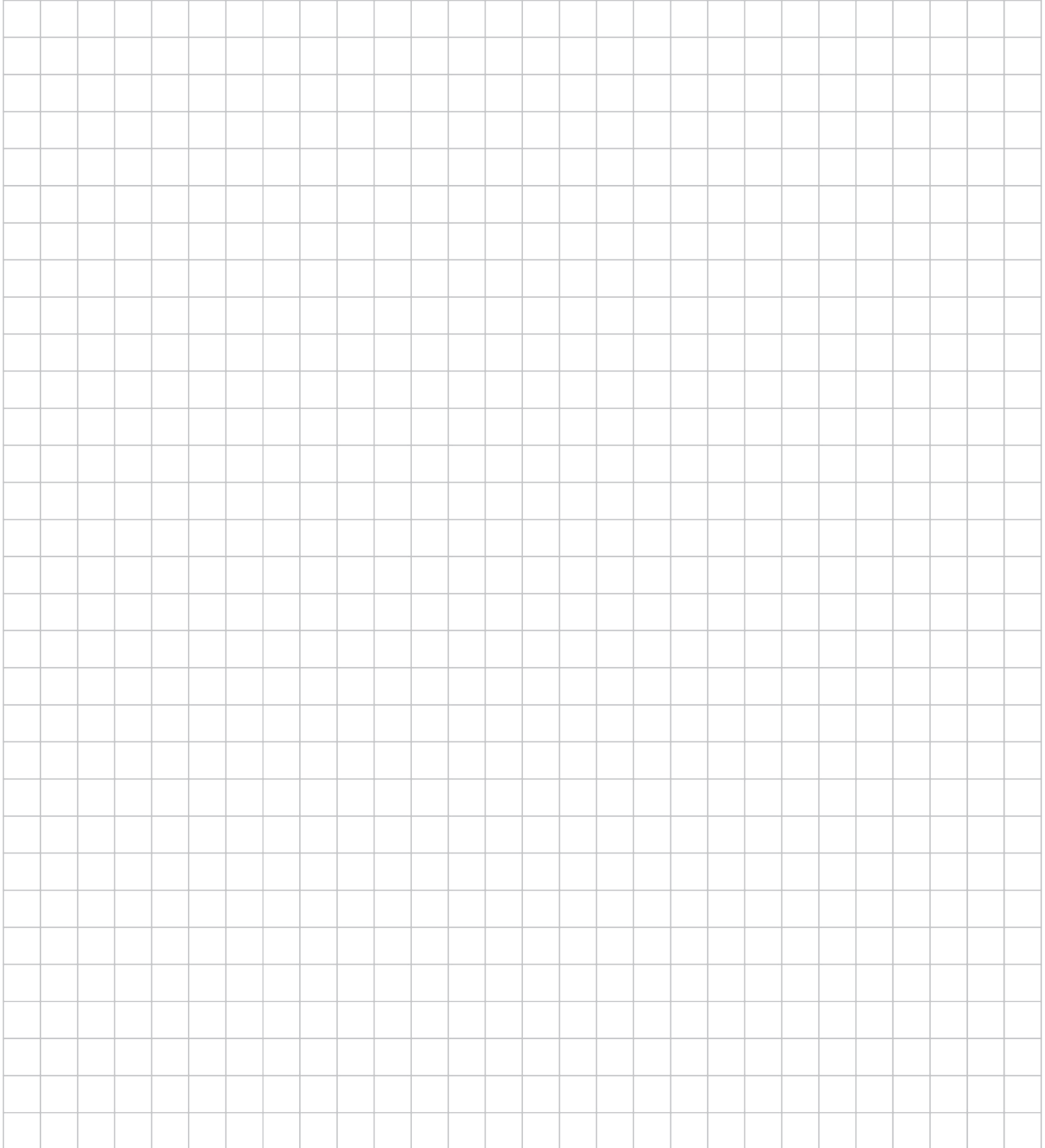
Loads listed are distributed uniformly. For loads concentrated at center of span, multiply uniform load by 0.5 and deflection by 0.8. Where deflection is not a factor, use stress of 25,000 PSI. When deflection is a factor, use deflection of 1/240 span.

COLUMN LOADS

Column loads are for allowable axial loads for the unsupported heights listed (including a K value of 0.80). Column loads must be reduced for eccentric loading.

Notes

G-STRUT



SECTION 8

Cross Reference By Product Code

A listing of comparative product part numbers is supplied for your convenience. The codes listed are for comparison only, and products may not be completely identical. Any part not identified in the G-STRUT® catalog is available by referring to other manufacturers' product numbers. Parts may also be ordered for manufacturers who are not included in this catalog. Consult factory or your sales representative.

G-STRUT® (GREGORY IND.)	ANVIL-STRUT (ANVIL INTERNATIONAL)	B-LINE (EATON)	ELITE STRUT (ELITE COMPONENTS)	ERICO/ERISTRUT (NVENT)	FLEX-STRUT (FLEX STRUT)	FLORIDA STRUT (ZSI-FOSTER)	H-STRUT (HAYDON CORP.)	PHD (PHD MFG.)
Pre-Galvanized - G-812 - 3-1/4" x 1-5/8"								
G8121	AS 100-PG 10	B11 GALV 120	N/A	E12PG10	FS-100-PG-10		H-112 PG X 10	1501 PG (10)
G8122	AS 100-PG 20	B11 GALV 240	N/A	E12PG20	FS-100-PG-20		H-112 PG X 20	1502 PG (20)
G812H1	AS 100H-PG 10	B11 H1/78 GALV 120	N/A		FS-100-H-PG-10		H-112-RS-PG X 10	1521 PG (10)
G812H2	AS 100H-PG 20	B11 H1/78 GALV 240	N/A		FS-100-H-PG-20		H-112-RS-PG X 20	1522 PG (20)
G812OS1	AS 100EH-PG 10	B11 SH GALV 120	ES E12 UST029	E12HS1000PG	FS-100-SS-PG-10	FS12314-10-PRE-GALV	H-112-OS-PG X 10	1511 PG (10)
G812OS2	AS 100EH-PG 20	B11 SH GALV 240	ES E12 UST030	E12HS2000PG	FS-100-SS-PG-20	FS12314-20-PRE-GALV	H-112-OS-PG X 20	1512 PG (20)
G812LS1	AS 100S-PG 10	B11 S GALV 120	N/A		FS-100-SL-PG-10		H-112-OS3-PG X 10	1531 PG (10)
G812LS2	AS 100S-PG 20	B11 S GALV 240	N/A		FS-100-SL-PG-20		H-112-OS3-PG X 20	1532 PG (20)
G812A1	AS 100BTB-PG 10	B11A GALV 120	N/A		FS-101-PG-10		H-132-A-PG X 10	1501A PG (10)
G812A2	AS 100BTB-PG 20	B11A GALV 240	N/A		FS-101-PG-20		H-132-A-PG X 20	1502A PG (20)
G812AOS1			N/A			FS12314BB-10-PRE-GALV		1511A PG (10)
G812A-OS2			N/A			FS12314BB-20-PRE-GALV		1512A PG (20)
G812K01	AS 100KO-PG 10	B11 K06 GALV 120	N/A		FS-100-KO-PG-10		H-112-KO-PG X 10	1541 PG (10)
G812K02	AS 100KO-PG 20	B11 K06 GALV 240	N/A		FS-100-KO-PG-20		H-112-KO-PG X 20	1542 PG (20)
Green								
G8121POP	AS 100-GR 10	B11 GRN 120	ES E12 UST031	E121000GN	FS-100-GR-10	N/A	H-112 GR X 10	N/A
G8122POP	AS 100-GR 20	B11 GRN 240	ES E12 UST032	E122000GN	FS-100-GR-20	N/A	H-112 GR X 20	N/A
G812H1POP	AS 100H-GR 10	B11 H1/78 GRN 120	N/A		FS-100-H-GR-10	N/A	H-112-RS-GR X 10	N/A
G812H2POP	AS 100H-GR 20	B11 H1/78 GRN 240	N/A		FS-100-H-GR-20	N/A	H-112-RS-GR X 20	N/A
G812OS1POP	AS 100EH-GR 10	B11 SH GRN 120	N/A	E12HS1000GN	FS-100-SS-GR-10	N/A	H-112-OS-GR X 10	N/A
G812OS2POP	AS 100EH-GR 20	B11 SH GRN 240	N/A	E12HS2000GN	FS-100-SS-GR-20	N/A	H-112-OS-GR X 20	N/A
G812LS1POP	AS 100S-GR 10	B11 S GRN 120	N/A		FS-100-SL-GR-10	N/A	H-112-OS3-GR X 10	N/A
G812LS2POP	AS 100S-GR 20	B11 S GRN 240	N/A		FS-100-SL-GR-20	N/A	H-112-OS3-GR X 20	N/A
G812A1POP	AS 100BTB-GR 10	B11A GRN 120	N/A		FS-101-GR-10	N/A	H-112-A-GR X 10	N/A
G812A2POP	AS 100BTB-GR 20	B11A GRN 240	N/A		FS-101-GR-20	N/A	H-112-A-GR X 20	N/A
G812AOS1POP			N/A			N/A		N/A
G812AOS2POP			N/A			N/A		N/A
G812K01POP	AS 100KO-GR 10	B11 K06 GRN 120	N/A		FS-100-KO-GR-10	N/A	H-112-KO-GR X 10	N/A
G812K02POP	AS 100KO-GR 20	B11 K06 GRN 240	N/A		FS-100-KO-GR-20	N/A	H-112-KO-GR X 20	N/A
Yellow Zinc Dichromate								
G8121YZ			N/A	N/A	N/A	N/A		N/A
G8122YZ			N/A	N/A	N/A	N/A		N/A
G812H1YZ			N/A	N/A	N/A	N/A		N/A
G812H2YZ			N/A	N/A	N/A	N/A		N/A
G812OS1YZ			N/A	N/A	N/A	N/A		N/A
G812OS2YZ			N/A	N/A	N/A	N/A		N/A
G812LS1YZ			N/A	N/A	N/A	N/A		N/A
G812LS2YZ			N/A	N/A	N/A	N/A		N/A
G812A1YZ			N/A	N/A	N/A	N/A		N/A
G812A2YZ			N/A	N/A	N/A	N/A		N/A
G812AOS1YZ			N/A	N/A	N/A	N/A		N/A
G812AOS2YZ			N/A	N/A	N/A	N/A		N/A
G812K01YZ			N/A	N/A	N/A	N/A		N/A
G812K02YZ			N/A	N/A	N/A	N/A		N/A
Plain, Pickled, & Oiled								
G8121PO	AS 100-PL 10	B11 PL 120	N/A	N/A	FS-100-PL-10		H-112 PL X 10	1501 PL (10)
G8122PO	AS 100-PL 20	B11 PL 240	N/A	N/A	FS-100-PL-20		H-112-PL X 20	1502 PL (20)
G812H1PO	AS 100H-PL 10	B11 H1/78 PL 120	N/A	N/A	FS-100-H-PL-10		H-112-RS-PL X 10	1521 PL (10)
G812H2PO	AS 100H-PL 20	B11 H1/78 PL 240	N/A	N/A	FS-100-H-PL-20		H-112-RS-PL X 20	1522 PL (20)
G812OS1PO	AS 100EH-PL 10	B11 SH PL 120	N/A	N/A	FS-100-SS-PL-10	FS12314-10-PL	H-112-OS-PL X 10	1511 PL (10)
G812OS2PO	AS 100EH-PL 20	B11 SH PL 240	N/A	N/A	FS-100-SS-PL-20	FS12314-20-PL	H-112-OS-PL X 20	1512 PL (20)
G812LS1PO	AS 100S-PL 10	B11 S PL 120	N/A	N/A	FS-100-SL-PL-10		H-112-OS3-PL X 10	1531 PL (10)
G812LS2PO	AS 100S-PL 20	B11 S PL 240	N/A	N/A	FS-100-SL-PL-20		H-112-OS3-PL X 20	1532 PL (20)
G812A1PO	AS 100BTB-PL 10	B11A PL 120	N/A	N/A	FS-101-PL-10		H-132-A-PL X 10	1501A PL (10)
G812A2PO	AS 100BTB-PL 20	B11A PL 240	N/A	N/A	FS-101-PL-20		H-132-A-PL X 20	1502A PL (20)
G812AOS1PO			N/A	N/A		FS12314BB-10-PL		1511A PL (10)
G812AOS2PO			N/A	N/A		FS12314BB-20-PL		1512A PL (20)
G812K01PO	AS 100KO-PL 10	B11 K06 PL 120	N/A	N/A	FS-100-KO-PL-10		H-112-KO-PL X 10	1541 PL (10)
G812K02PO	AS 100KO-PL 20	B11 K06 PL 240	N/A	N/A	FS-100-KO-PL-20		H-112-KO-PL X 20	1542 PL (20)
Hot-dipped Galvanized								
G8121HDG		B11 HDG 120	N/A	N/A	FS-100-HG-10		H-112-HDG X 10	1501 HD (10)
G8122HDG		B11 HDG 240	N/A	N/A	FS-100-HG-20		H-112-HDG X 20	1502 HD (20)
G812H1HDG		B11 H1/78 HDG 120	N/A	N/A	FS-100-H-HG-10		H-112-RS-HDG X 10	1521 HD (10)
G812H2HDG		B11 H1/78 HDG 240	N/A	N/A	FS-100-H-HG-20		H-112-RS-HDG X 20	1522 HD (20)
G812OS1HDG		B11 SH HDG 120	N/A	N/A	FS-100-SS-HG-10	FS12314-10-HD	H-112-OS-HDG X 10	1511 HD (10)
G812OS2HDG		B11 SH HDG 240	N/A	N/A	FS-100-SS-HG-20	FS12314-20-HD	H-112-OS-HDG X 20	1512 HD (20)
G812LS1HDG		B11 S HDG 120	N/A	N/A	FS-100-SL-HG-10		H-112-OS3-HDG X 10	1531 HD (10)
G812LS2HDG		B11 S HDG 240	N/A	N/A	FS-100-SL-HG-20		H-112-OS3-HDG X 20	1532 HD (20)
G812A1HDG		B11A HDG 120	N/A	N/A	FS-101-HG-10		H-132-A-HDG X 10	1501A HD (10)
G812A2HDG		B11A HDG 240	N/A	N/A	FS-101-HG-20		H-132-A-HDG X 20	1502A HD (20)
G812AOS1HDG			N/A	N/A		FS12314BB-10-HD		1511A HD (10)
G812AOS2HDG			N/A	N/A		FS12314BB-20-HD		1512A HD (20)
G812K01HDG		B11 K06 HDG 120	N/A	N/A	FS-100-KO-HG-10		H-112-KO-HDG X 10	1541 HD (10)
G812K02HDG		B11 K06 HDG 240	N/A	N/A	FS-100-KO-HG-20		H-112-KO-HDG X 20	1542 HD (20)

CROSS REFERENCE



G-STRUT® (GREGORY IND.)	POWER-STRUT (ATKORE)	PUPCO (POWER UTILITY PRODUCTS)	SASCO STRUT (SASCO TUBE & ROLLFORM)	SUPERSTRUT (ABB GROUP/T&B)	UNISTRUT (ATKORE)	VERSABAR (VERSABAR CORP.)	WESANCO (ZSI-FOSTER)
Pre-Galvanized - G-812 - 3-1/4" x 1-5/8"							
G8121	PS 100 10 PG	AS-112-PG (10)	S9G (10)	H1200 10PG	P5000 10PG	VA-11 EG (10)	W-150 PRE-GALV (10)
G8122	PS 100 20 PG	AS-112-PG (20)	S9G (20)	H1200 20PG	P5000 20PG	VA-11 EG (20)	W-150 PRE-GALV (20)
G812H1	PS 100 H 10 PG	AS-112-RS-PG (10)	S9H112G (10)	H1200-P 10PG	P5000 HS 10PG	VA-11P1.5 (10)	W-150 H PRE-GALV(10)
G812H2	PS 100 H 20 PG	AS-112-RS-PG (20)	S9H112G (20)	H1200-P 20PG	P5000 HS 20PG	VA-11P1.5 (20)	W-150 H PRE-GALV (20)
G812OS1	PS 100 EH 10 PG	AS-112-OS-PG (10)	S9SL2G (10)	H1200-HS 10PG	P5000 T 10PG	VA-11PLH EG(10)	W-150 SS PRE-GALV(10)
G812OS2	PS 100 EH 20 PG	AS-112-OS-PG (20)	S9SL2G (20)	H1200-HS 20PG	P5000 T 20PG	VA-11PLH EG (20)	W-150 SS PRE-GALV (20)
G812LS1	PS 100 S 10 PG	AS-112-SL-PG (10)	S9SL4G (10)	N/A	P5000 SL 10PG	N/A	W-150 SL PRE-GALV (10)
G812LS2	PS 100 S 20 PG	AS-112-SL-PG (20)	S9SL4G (20)	N/A	P5000 SL 20PG	N/A	W-151 SL PRE-GALV (20)
G812A1	PS 100 2T3 10 PG	AS-112A-PG (10)	S9BB-G (10)	H1202 10PG	P5001 10PG	VA-11201 EG (10)	W-151 PRE-GALV (10)
G812A2	PS 100 2T3 20 PG	AS-112A-PG (20)	S9BB-G (20)	H1202 20PG	P5001 20PG	VA-11201 EG (20)	W-151 PRE-GALV (20)
G812AOS1	N/A	AS-112A-OS-PG (10)	N/A	H1202-HS 10PG	N/A	N/A	W-151 SS PRE-GALV (10)
G812AOS2	N/A	AS-112A-OS-PG (20)	N/A	H1202-HS 20PG	N/A	N/A	W-151 SS PRE-GALV (20)
G812KO1	PS 100 K06 10 PG	AS-112-KO-PG (10)	S9K06G (10)	N/A	P5001 KO 10PG	N/A	W-151 KO PRE-GALV (10)
G812KO2	PS 100 K06 20 PG	AS-112-KO-PG (20)	S9K06G (20)	N/A	P5001 KO 20PG	N/A	W-151 KO PRE-GALV (20)
Green							
G8121POP	PS 100 10 GR	AS-112-GR (10)	N/A	H-1200 10GR	P5000 10GR	N/A	W-150 GREEN (10)
G8122POP	PS 100 20 GR	AS-112-GR (20)	N/A	H-1200 20GR	P5000 20GR	N/A	W-150 GREEN (20)
G812H1POP	PS 100 H 10 GR	AS-112-RS-GR (10)	N/A	H-1200-H 10GR	P5000 HS 10GR	N/A	W-150 H GREEN (10)
G812H2POP	PS 100 H 20 GR	AS-112-RS-GR (20)	N/A	H-1200-H 20GR	P5000 HS 20GR	N/A	W-150 H GREEN (20)
G812OS1POP	PS 100 EH 10 GR	AS-112-OS-GR (10)	N/A	H-1200-HS 10GR	P5000 T 10GR	N/A	W-150 SS GREEN (10)
G812OS2POP	PS 100 EH 20 GR	AS-112-OS-GR (20)	N/A	H-1200-HS 20GR	P5000 T 20GR	N/A	W-150 SS GREEN (20)
G812LS1POP	PS 100 S 10 GR	AS-112-SL-GR (10)	N/A	N/A	P5000 SL 10GR	N/A	W-150 SL GREEN (10)
G812LS2POP	PS 100 S 20 GR	AS-112-SL-GR (20)	N/A	N/A	P5000 SL 20GR	N/A	W-151 SL GREEN (20)
G812A1POP	PS 100 2T3 10 GR	AS-112A-GR (10)	N/A	H-1202 10GR	P5001 10GR	N/A	W-151 GREEN (10)
G812A2POP	PS 100 2T3 20 GR	AS-112A-GR (20)	N/A	H-1202 20GR	P5001 20GR	N/A	W-151 GREEN (20)
G812AOS1POP	N/A	AS-112A-OS-GR (10)	N/A	H-1202-HS 10GR	N/A	N/A	W-151 SS GREEN (10)
G812AOS2POP	N/A	AS-112A-OS-GR (20)	N/A	H-1202-HS 20GR	N/A	N/A	W-151 SS GREEN (20)
G812KO1POP	PS 100 K06 10 GR	AS-112-KO-GR (10)	N/A	N/A	P5001 KO 10PG	N/A	W-151 KO GREEN (10)
G812KO2POP	PS 100 K06 20 GR	AS-112-KO-GR (20)	N/A	N/A	P5001 KO 20PG	N/A	W-151 KO GREEN (20)
Yellow Zinc Dichromate							
G8121YZ	PS 100 10 ZD	AS-112-GD (10)	N/A	N/A	N/A	N/A	N/A
G8122YZ	PS 100 20 ZD	AS-112-GD (20)	N/A	N/A	N/A	N/A	N/A
G812H1YZ	PS 100 H 10 ZD	AS-112-RS-GD (10)	N/A	N/A	N/A	N/A	N/A
G812H2YZ	PS 100 H 20 ZD	AS-112-RS-GD (20)	N/A	N/A	N/A	N/A	N/A
G812OS1YZ	PS 100 EH 10 ZD	AS-112-OS-GD (10)	N/A	N/A	N/A	N/A	N/A
G812OS2YZ	PS 100 EH 20 ZD	AS-112-OS-GD (20)	N/A	N/A	N/A	N/A	N/A
G812LS1YZ	PS 100 S 10 ZD	AS-112-SL-GD (10)	N/A	N/A	N/A	N/A	N/A
G812LS2YZ	PS 100 S 20 ZD	AS-112-SL-GD (20)	N/A	N/A	N/A	N/A	N/A
G812A1YZ	PS 100 2T3 10 ZD	AS-112A-GD (10)	N/A	N/A	N/A	N/A	N/A
G812A2YZ	PS 100 2T3 20 ZD	AS-112A-GD (20)	N/A	N/A	N/A	N/A	N/A
G812AOS1YZ	N/A	AS-112A-OS-GD (10)	N/A	N/A	N/A	N/A	N/A
G812AOS2YZ	N/A	AS-112A-OS-GD (20)	N/A	N/A	N/A	N/A	N/A
G812KO1YZ	PS 100 K06 10 ZD	AS-112-KO-GD (10)	N/A	N/A	N/A	N/A	N/A
G812KO2YZ	PS 100 K06 20 ZD	AS-112-KO-GD (20)	N/A	N/A	N/A	N/A	N/A
Plain, Pickled, & Oiled							
G8121PO	PS 100 10 PL	AS-112-BK (10)	S9P (10)	H1200 10B	P5000 10PL	N/A	W-150 PLAIN (10)
G8122PO	PS 100 20 PL	AS-112-BK (20)	S9P (20)	H1200 20B	P5000 20PL	N/A	W-150 PLAIN (20)
G812H1PO	PS 100 H 10 PL	AS-112-RS-BK (10)	S9H112P (10)	H1200-H 10B	P5000 HS 10PL	N/A	W-150 H PLAIN (10)
G812H2PO	PS 100 H 20 PL	AS-112-RS-BK (20)	S9H112P (20)	H1200-H 20B	P5000 HS 20PL	N/A	W-150 H PLAIN (20)
G812OS1PO	PS 100 EH 10 PL	AS-112-OS-BK (10)	S9SL2P (10)	H1200-HS 10B	P5000 T 10PL	N/A	W-150 SS PLAIN(10)
G812OS2PO	PS 100 EH 20 PL	AS-112-OS-BK (20)	S9SL2P (20)	H1200-HS 20B	P5000 T 20PL	N/A	W-150 SS PLAIN (20)
G812LS1PO	PS 100 S 10 PL	AS-112-SL-BK (10)	S9SL4P (10)	N/A	P5000 SL 10PL	N/A	W-150 SL PLAIN (10)
G812LS2PO	PS 100 S 20 PL	AS-112-SL-BK (20)	S9SL4P (20)	N/A	P5000 SL 20PL	N/A	W-151 SL PLAIN (20)
G812A1PO	PS 100 2T3 10 PL	AS-112A-BK (10)	S9BB-P (10)	H1202 10B	P5001 10PL	N/A	W-151 PLAIN (10)
G812A2PO	PS 100 2T3 20 PL	AS-112A-BK (20)	S9BB-P (20)	H1202 20B	P5001 20PL	N/A	W-151 PLAIN (20)
G812AOS1PO	N/A	AS-112A-OS-BK (10)	N/A	N/A	P5001T 10PL	N/A	W-151 SS PLAIN (10)
G812AOS2PO	N/A	AS-112A-OS-BK (20)	N/A	N/A	P5001T 20PL	N/A	W-151 SS PLAIN (20)
G812KO1PO	PS 100 K06 10 PL	AS-112-KO-BK (10)	S9K06P (10)	N/A	P5000 KO 10PL	N/A	W-151 KO PLAIN (10)
G812KO2PO	PS 100 K06 20 PL	AS-112-KO-BK (20)	S9K06P (20)	N/A	P5000 KO 20PL	N/A	W-151 KO PLAIN (20)
Hot-dipped Galvanized							
G8121HDG	PS 100 10 HG	AS-112-HD (10)	S9HG (10)	H1200 10HDG	P5000 10HG	N/A	W-150 HDGAF (10)
G8122HDG	PS 100 20 HG	AS-112-HD (20)	S9HG (20)	H1200 20HDG	P5000 20HG	N/A	W-150 HDGAF (20)
G812H1HDG	PS 100 H 10 HG	AS-112-RS-HD (10)	S9H112HG (10)	H1200-H 10HDG	P5000 HS 10HG	N/A	W-150 H HDGAF (10)
G812H2HDG	PS 100 H 20 HG	AS-112-RS-HD (20)	S9H112HG (20)	H1200-H 20HDG	P5000 HS 20HG	N/A	W-150 H HDGAF (20)
G812OS1HDG	PS 100 EH 10 HG	AS-112-OS-HD (10)	S9SL2HG (10)	H1200-HS 10HDG	P5000 T 10HG	N/A	W-150 SS HDGAF(10)
G812OS2HDG	PS 100 EH 20 HG	AS-112-OS-HD (20)	S9SL2HG (20)	H1200-HS 20HDG	P5000 T 20HG	N/A	W-150 SS HDGAF (20)
G812LS1HDG	PS 100 S 10 HG	AS-112-SL-HD (10)	S9SL4HG (10)	N/A	P5000 SL 10HG	N/A	W-150 SL HDGAF (10)
G812LS2HDG	PS 100 S 20 HG	AS-112-SL-HD (20)	S9SL4HG (20)	N/A	P5000 SL 20HG	N/A	W-151 SL HDGAF (20)
G812A1HDG	PS 100 2T3 10 HG	AS-112A-HD (10)	S9BB-HG (10)	H1202 10HDG	P5001 10HG	N/A	W-151 HDGAF (10)
G812A2HDG	PS 100 2T3 20 HG	AS-112A-HD (20)	S9BB-HG (20)	H1202 20HDG	P5001 20HG	N/A	W-151 HDGAF (20)
G812AOS1HDG	N/A	AS-112A-OS-HD (10)	N/A	N/A	P5001T 10HG	N/A	W-151 SS HDGAF (10)
G812AOS2HDG	N/A	AS-112A-OS-HD (20)	N/A	N/A	P5001T 20HG	N/A	W-151 SS HDGAF (20)
G812KO1HDG	PS 100 K06 10 HG	AS-112-KO-HD (10)	S9K06HG (10)	N/A	P5000 KO 10HG	N/A	W-151 KO HDGAF (10)
G812KO2HDG	PS 100 K06 20 HG	AS-112-KO-HD (20)	S9K06HG (20)	N/A	P5000 KO 20HG	N/A	W-151 KO HDGAF (20)

CROSS REFERENCE

G-STRUT® (GREGORY IND.)	ANVIL-STRUT (ANVIL INTERNATIONAL)	B-LINE (EATON)	ELITE STRUT (ELITE COMPONENTS)	ERICO/ERISTRUT (NVENT)	FLEX-STRUT (FLEX STRUT)	FLORIDA STRUT (ZSI-FOSTER)	H-STRUT (HAYDON CORP.)	PHD (PHD MFG.)
Stainless Steel (Grade 304)								
G8121SS	(N/A)	N/A	N/A	N/A	FS-100-ST4-10		H-112-SS X 10	1501 SS304 (10)
G8122SS	(N/A)	N/A	N/A	N/A	FS-100-ST4-20		H-112-SS X 20	1502 SS304 (20)
G812H1SS	(N/A)	N/A	N/A	N/A	FS-100-H-ST4-10		H-112-RS-SS X 10	1521 SS304 (10)
G812H2SS	(N/A)	N/A	N/A	N/A	FS-100-H-ST4-20		H-112-RS-SS X 20	1522 SS304 (20)
G8120S1SS	(N/A)	N/A	N/A	N/A	FS-100-SS-ST4-10	FS12314-10-SS	H-112-OS-SS X 10	1511 SS304 (10)
G8120S2SS	(N/A)	N/A	N/A	N/A	FS-100-SS-ST4-20	FS12314-10-SS	H-112-OS-SS X 20	1512 SS304 (20)
G812LS1SS	(N/A)	N/A	N/A	N/A	FS-100-SL-ST4-10		H-112-OS3-SS X 10	1531 SS304 (10)
G812LS2SS	(N/A)	N/A	N/A	N/A	FS-100-SL-ST4-20		H-112-OS3-SS X 20	1532 SS304 (20)
G812A1SS	(N/A)	N/A	N/A	N/A	FS-101-ST4-10		H-112-A-SS X 10	1501A SS304 (10)
G812A2SS	(N/A)	N/A	N/A	N/A	FS-101-ST4-20		H-112-A-SS X 20	1502A SS304 (20)
G812AOS1SS	(N/A)	N/A	N/A	N/A		FS12314BB-10-SS		1511A SS304 (10)
G812AOS2SS	(N/A)	N/A	N/A	N/A		FS12314BB-20-SS		1512A SS304 (20)
G812K01SS	(N/A)	N/A	N/A	N/A	FS-100-KO-ST4-10		H-112-KO-SS X 10	1541 SS304 (10)
G812K02SS	(N/A)	N/A	N/A	N/A	FS-100-KO-ST4-20		H-112-KO-SS X 20	1542 SS304 (20)
Stainless Steel (Grade 316)								
G8121SS (316)	(N/A)	N/A	N/A	N/A	N/A		H-112-SS(316) X 10	1501 SS316 (10)
G8122SS (316)	(N/A)	N/A	N/A	N/A	N/A		H-112-SS(316) X 20	1502 SS316 (20)
G812H1SS (316)	(N/A)	N/A	N/A	N/A	N/A		H-112-RS-SS(316) X 10	1521 SS316 (10)
G812H2SS (316)	(N/A)	N/A	N/A	N/A	N/A	FS12314-10-SS (316)	H-112-RS-SS(316) X 20	1522 SS316 (20)
G8120S1SS (316)	(N/A)	N/A	N/A	N/A	N/A	FS12314-20-SS (316)	H-112-OS-SS(316) X 10	1511 SS316 (10)
G8120S2SS (316)	(N/A)	N/A	N/A	N/A	N/A		H-112-OS-SS(316) X 20	1512 SS316 (20)
G812LS1SS (316)	(N/A)	N/A	N/A	N/A	N/A		H-112-OS3-SS(316) X 10	1531 SS316 (10)
G812LS2SS (316)	(N/A)	N/A	N/A	N/A	N/A		H-112-OS3-SS(316) X 20	1532 SS316 (20)
G812A1SS (316)	(N/A)	N/A	N/A	N/A	N/A		H-112-A-SS(316) X 10	1501A SS316 (10)
G812A2SS (316)	(N/A)	N/A	N/A	N/A	N/A		H-112-A-SS(316) X 20	1502A SS316 (20)
G812AOS1SS (316)	(N/A)	N/A	N/A	N/A	N/A	FS12314BB-10-SS (316)		1511A SS316 (10)
G812AOS2SS (316)	(N/A)	N/A	N/A	N/A	N/A	FS12314BB-20-SS (316)		1512A SS316 (20)
G812K01SS (316)	(N/A)	N/A	N/A	N/A	N/A		H-112-KO-SS(316) X 10	1541 SS316 (10)
G812K02SS (316)	(N/A)	N/A	N/A	N/A	N/A		H-112-KO-SS(316) X 20	1542 SS316 (20)
Aluminum Extruded								
G8121AL	(N/A)	B11 AL 120	N/A	N/A	FS-100-AL-10			1501 AL (10)
G8122AL	(N/A)	B11 AL 240	N/A	N/A	FS-100-AL-20			1502 AL (20)
G812H1AL	(N/A)	B11 H178 AL 120	N/A	N/A	FS-100-H-AL-10			1521 AL (10)
G812H2AL	(N/A)	B11 H178 AL 240	N/A	N/A	FS-100-H-AL-20	FS12314-10-ALUMINUM		1522 AL (20)
G8120S1AL	(N/A)	B11 SH AL 120	N/A	N/A	FS-100-SS-AL-10	FS12314-20-ALUMINUM		1511 AL (10)
G8120S2AL	(N/A)	B11 SH AL 240	N/A	N/A	FS-100-SS-AL-20			1512 AL (20)
G812LS1AL	(N/A)	B11 S AL 120	N/A	N/A	FS-100-SL-AL-10			1531 AL (10)
G812LS2AL	(N/A)	B11 S AL 240	N/A	N/A	FS-100-SL-AL-20			1532 AL (20)
G812A1AL	(N/A)	B11A AL 120	N/A	N/A	FS-101-AL-10			1501A AL (10)
G812A2AL	(N/A)	B11A AL 240	N/A	N/A	FS-101-AL-20			1502A AL (20)
G812AOS1AL	(N/A)		N/A	N/A		FS12314BB-10-ALUMINUM		1511A AL (10)
G812AOS2AL	(N/A)		N/A	N/A		FS12314BB-20-ALUMINUM		1512A AL (20)
G812K01AL	(N/A)	B11 K06 AL 120	N/A	N/A	FS-100-KO-AL-10			1541 AL (10)
G812K02AL	(N/A)	B11 K06 AL 240	N/A	N/A	FS-100-KO-AL-20			1542 AL (20)
PVC Coated (Galvanized or Black)								
G8121PVC		N/A	N/A	N/A	N/A	N/A		N/A
G8122PVC		N/A	N/A	N/A	N/A	N/A		N/A
G812H1PVC		N/A	N/A	N/A	N/A	N/A		N/A
G812H2PVC		N/A	N/A	N/A	N/A	N/A		N/A
G8120S1PVC		N/A	N/A	N/A	N/A	N/A		N/A
G8120S2PVC		N/A	N/A	N/A	N/A	N/A		N/A
G812LS1PVC		N/A	N/A	N/A	N/A	N/A		N/A
G812LS2PVC		N/A	N/A	N/A	N/A	N/A		N/A
G812A1PVC		N/A	N/A	N/A	N/A	N/A		N/A
G812A2PVC		N/A	N/A	N/A	N/A	N/A		N/A
G812AOS1PVC		N/A	N/A	N/A	N/A	N/A		N/A
G812AOS2PVC		N/A	N/A	N/A	N/A	N/A		N/A
G812K01PVC		N/A	N/A	N/A	N/A	N/A		N/A
G812K02PVC		N/A	N/A	N/A	N/A	N/A		N/A
Pre-Galvanized - G712 - 2-7/16" x 1-5/8"								
G7121	AS 150-PG 10	B12 GALV 120	N/A	D121000PG	FS-150-PG-10		H-122-PG X 10	1601 PG (10)
G7122	AS 150-PG 20	B12 GALV 240	N/A	D122000PG	FS-150-PG-20		H-122-PG X 20	1602 PG (20)
G712H1	AS 150H-PG 10	B12 H17/8 GALV 120	N/A		FS-150-H-PG-10		H-122-RS-PG X 10	1621 PG (10)
G712H2	AS 150H-PG 20	B12 H17/8 GALV 240	N/A		FS-150-H-PG-20		H-122-RS-PG X 20	1622 PG (20)
G7120S1	AS 150EH-PG 10	B12 SH GALV 120	N/A	D12HS1000PG	FS-150-SS-PG-10	FS122716-10-PRE-GALV	H-122-OS-PG X 10	1611 PG (10)
G7120S2	AS 150EH-PG 20	B12 SH GALV 240	N/A	D12HS2000PG	FS-150-SS-PG-20	FS122716-20-PRE-GALV	H-122-OS-PG X 20	1612 PG (20)
G712LS1	AS 150S-PG 10	B12 S GALV 120	N/A		FS-150-SL-PG-10		H-122-OS3-PG X 10	1631 PG (10)
G712LS2	AS 150S-PG 20	B12 S GALV 240	N/A		FS-150-SL-PG-20		H-122-OS3-PG X 20	1632 PG (20)
G712A1	AS 150BTB-PG 10	B12A GALV 120	N/A		FS-151-PG-10		H-122-A-PG X 10	1601A PG (10)
G712A2	AS 150BTB-PG 20	B12A GALV 240	N/A		FS-151-PG-20		H-122-A-PG X 20	1602A PG (20)
G712AOS1	AS 150EH BTB-PG 10		N/A			FS122716BB-10-PRE-GALV		1611A PG (10)
G712AOS2	AS 150EH BTB-PG 20		N/A			FS122716BB-20-PRE-GALV		1612A PG (20)
G712K01	AS 150KO-PG 10	B12 K06 GALV 120	N/A		FS-151-KO-PG-10		H-122-KO-PG X 10	1641 PG (10)
G712K02	AS 150KO-PG 20	B12 K06 GALV 240	N/A		FS-151-KO-PG-20		H-122-KO-PG X 20	1642 PG (20)

CROSS REFERENCE

G-STRUT® (REGISTRY IND.)	POWER-STRUT (ATKORE)	PUPCO (POWER UTILITY PRODUCTS)	SASCO STRUT (SASCO TUBE & ROLLFORM)	SUPERSTRUT (ABB GROUP/T&B)	UNISTRUT (ATKORE)	VERSABAR (VERSABAR CORP.)	WESANCO (ZSI-FOSTER)
Stainless Steel (Grade 304)							
G8121SS	PS 100 10 SS	AS-112-SS4 (10)			N/A	N/A	N/A
G8122SS	PS 100 10 SS	AS-112-SS4 (20)			N/A	N/A	N/A
G812H1SS	PS 100 H 10 SS	AS-112-RS-SS4 (10)			N/A	N/A	N/A
G812H2SS	PS 100 H 20 SS	AS-112-RS-SS4 (20)			N/A	N/A	N/A
G812OS1SS	PS 100 EH 10 SS	AS-112-OS-SS4 (10)			N/A	N/A	N/A
G812OS2SS	PS 100 EH 20 SS	AS-112-OS-SS4 (20)			N/A	N/A	N/A
G812LS1SS	PS 100 S 10 SS	AS-112-SL-SS4 (10)			N/A	N/A	N/A
G812LS2SS	PS 100 S 20 SS	AS-112-SL-SS4 (20)			N/A	N/A	N/A
G812A1SS	PS 100 2T3 10 SS	AS-112A-SS4 (10)			N/A	N/A	N/A
G812A2SS	PS 100 2T3 20 SS	AS-112A-SS4 (20)			N/A	N/A	N/A
G812AOS1SS	N/A	AS-112A-OS-SS4 (10)			N/A	N/A	N/A
G812AOS2SS	N/A	AS-112A-OS-SS4 (20)			N/A	N/A	N/A
G812KO1SS	PS 100 K06 10 SS	AS-112-KO-SS4 (10)			N/A	N/A	N/A
G812KO2SS	PS 100 K06 20 SS	AS-112-KO-SS4 (20)			N/A	N/A	N/A
Stainless Steel (Grade 316)							
G8121SS (316)	PS 100 10 SS(316)	AS-112-SS6 (10)			N/A	N/A	N/A
G8122SS (316)	PS 100 20 SS(316)	AS-112-SS6 (20)			N/A	N/A	N/A
G812H1SS (316)	PS 100 H 10 SS(316)	AS-112-RS-SS6 (10)			N/A	N/A	N/A
G812H2SS (316)	PS 100 H 20 SS(316)	AS-112-RS-SS6 (20)			N/A	N/A	N/A
G812OS1SS (316)	PS 100 EH 10 SS(316)	AS-112-OS-SS6 (10)			N/A	N/A	N/A
G812OS2SS (316)	PS 100 EH 20 SS(316)	AS-112-OS-SS6 (20)			N/A	N/A	N/A
G812LS1SS (316)	PS 100 S 10 SS(316)	AS-112-SL-SS6 (10)			N/A	N/A	N/A
G812LS2SS (316)	PS 100 S 20 SS(316)	AS-112-SL-SS6 (20)			N/A	N/A	N/A
G812A1SS (316)	PS 100 2T3 10 SS(316)	AS-112A-SS6 (10)			N/A	N/A	N/A
G812A2SS (316)	PS 100 2T3 20 SS(316)	AS-112A-SS6 (20)			N/A	N/A	N/A
G812AOS1SS (316)	N/A	AS-112A-OS-SS6 (10)			N/A	N/A	N/A
G812AOS2SS (316)	N/A	AS-112A-OS-SS6 (20)			N/A	N/A	N/A
G812KO1SS (316)	PS 100 K06 10 SS(316)	AS-112-KO-SS6 (10)			N/A	N/A	N/A
G812KO2SS (316)	PS 100 K06 20 SS(316)	AS-112-KO-SS6 (20)			N/A	N/A	N/A
Aluminum Extruded							
G-8121AL	PS 100 10 AL	AS-112-AL (10)	S9AL (10)		N/A	N/A	N/A
G8122AL	PS 100 20 AL	AS-112-AL (20)	S9AL (20)		N/A	N/A	N/A
G812H1AL	PS 100 H 10 AL	AS-112-RS-AL (10)	S9H12AL (10)		N/A	N/A	N/A
G812H2AL	PS 100 H 20 AL	AS-112-RS-AL (20)	S9H12AL (20)		N/A	N/A	N/A
G812OS1AL	PS 100 EH 10 AL	AS-112-OS-AL (10)	S9SL2AL (10)		N/A	N/A	N/A
G812OS2AL	PS 100 EH 20 AL	AS-112-OS-AL (20)	S9SL2AL (20)		N/A	N/A	N/A
G812LS1AL	PS 100 S 10 AL	AS-112-SL-AL (10)	S9SL4AL (10)		N/A	N/A	N/A
G812LS2AL	PS 100 S 20 AL	AS-112-SL-AL (20)	S9SL4AL (20)		N/A	N/A	N/A
G812A1AL	PS 100 2T3 10 AL	AS-112A-AL (10)	S9BB-AL (10)		N/A	N/A	N/A
G812A2AL	PS 100 2T3 20 AL	AS-112A-AL (20)	S9BB-AL (20)		N/A	N/A	N/A
G812AOS1AL	N/A	AS-112A-OS-AL (10)			N/A	N/A	N/A
G812AOS2AL	N/A	AS-112A-OS-AL (20)			N/A	N/A	N/A
G812K01AL	PS 100 K06 10 AL	AS-112-KO-AL (10)	S9K06AL (10)		N/A	N/A	N/A
G812K02AL	PS 100 K06 20 AL	AS-112-KO-AL (20)	S9K06AL (20)		N/A	N/A	N/A
PVC Coated (Galvanized or Black)							
G8121PVC	N/A	AS-112-PVC (10)			N/A	N/A	
G8122PVC	N/A	AS-112-PVC (20)			N/A	N/A	
G812H1PVC	N/A	AS-112-RS-PVC (10)			N/A	N/A	
G812H2PVC	N/A	AS-112-RS-PVC (20)			N/A	N/A	
G812OS1PVC	N/A	AS-112-OS-PVC (10)			N/A	N/A	
G812OS2PVC	N/A	AS-112-OS-PVC (20)			N/A	N/A	
G812LS1PVC	N/A	AS-112-SL-PVC (10)			N/A	N/A	
G812LS2PVC	N/A	AS-112-SL-PVC (20)			N/A	N/A	
G812A1PVC	N/A	AS-112A-PVC (10)			N/A	N/A	
G812A2PVC	N/A	AS-112A-PVC (20)			N/A	N/A	
G812AOS1PVC	N/A	AS-112A-OS-PVC (10)			N/A	N/A	
G812AOS2PVC	N/A	AS-112A-OS-PVC (20)			N/A	N/A	
G812K01PVC	N/A	AS-112-KO-PVC (10)			N/A	N/A	
G812K02PVC	N/A	AS-112-KO-PVC (20)			N/A	N/A	
Pre-Galvanized - G712 - 2-7/16" x 1-5/8"							
G7121	PS 150 10 PG	AS-122-PG (10)	S1G (10)	E1200 10PG	P5500 10PG	N/A	W-100 PRE-GALV (10)
G7122	PS 150 20 PG	AS-122-PG (20)	S1G (20)	E1200 20PG	P5500 20PG	N/A	W-100 PRE-GALV (20)
G712H1	PS 150 H 10 PG	AS-122-RS-PG (10)	S1H112G (10)	N/A	P5500 HS 10PG	N/A	W-100-H PRE-GALV (10)
G712H2	PS 150 H 20 PG	AS-122-RS-PG (20)	S1H112G (20)	N/A	P5500 HS 20PG	N/A	W-100-H PRE-GALV (20)
G712OS1	PS 150 EH 10 PG	AS-122-OS-PG (10)	S1SL2G (10)	E1200-HS 10PG	P5500 T 10PG	N/A	W-100-SS PRE-GALV (10)
G712OS2	PS 150 EH 20 PG	AS-122-OS-PG (20)	S1SL2G (20)	E1200-HS 20PG	P5500 T 20PG	N/A	W-100-SS PRE-GALV (20)
G712LS1	PS 150 S 10 PG	AS-122-SL-PG (10)	S1SL4G (10)	N/A	P5500 SL 10PG	N/A	W-100-SL PRE-GALV (10)
G712LS2	PS 150 S 20 PG	AS-122-SL-PG (20)	S1SL4G (20)	N/A	P5500 SL 20PG	N/A	W-100-SL PRE-GALV (20)
G712A1	PS 150 2T3 10 PG	AS-122A-PG (10)	S1BBG (10)	E1202 10PG	P5501 10PG	N/A	W-101 PRE-GALV (10)
G712A2	PS 150 2T3 20 PG	AS-122A-PG (20)	S1BBG (20)	E1202 20PG	P5501 20PG	N/A	W-101 PRE-GALV (20)
G712AOS1	PS 150 2T3 EH 10 PG	AS-122A-OS-PG (10)		E1200A-HS 10PG	P5501T 10PG	N/A	W-101-SS PRE-GALV (10)
G712AOS2	PS 150 2T3 EH 20 PG	AS-122A-OS-PG (20)		E1200A-HS 20PG	P5501T 20PG	N/A	W-101-SS PRE-GALV (20)
G712K01	PS 150 K06 10 PG	AS-122-KO-PG (10)	S1K06G (10)	N/A	P5500 KO 10PG	N/A	W-100-KO PRE-GALV (10)
G712K02	PS 150 K06 20 PG	AS-122-KO-PG (20)	S1K06G (20)	N/A	P5500 KO 20PG	N/A	W-100-KO PRE-GALV (20)

G-STRUT® (GREGORY IND.)	ANVIL-STRUT (ANVIL INTERNATIONAL)	B-LINE (EATON)	ELITE STRUT (ELITE COMPONENTS)	ERICO/ERISTRUT (INVENT)	FLEX-STRUT (FLEX STRUT)	FLORIDA STRUT (ZSI-FOSTER)	H-STRUT (HAYDON CORP.)	PHD (PHD MFG.)
Green								
G7121POP	AS 150-GR 10	B12 GRN 120	N/A	D12PGRN10	FS-150-GR-10	N/A	H-122-GR X 10	N/A
G7122POP	AS 150-GR 20	B12 GRN 240	N/A	D12PGRN20	FS-150-GR-20	N/A	H-122-GR X 20	N/A
G712H1POP	AS 150H-GR 10	B12 H17/8 GRN 120	N/A	N/A	FS-150-H-GR-10	N/A	H-122-RS-GR X 10	N/A
G712H2POP	AS 150H-GR 20	B12 H17/8 GRN 240	N/A	N/A	FS-150-H-GR-20	N/A	H-122-RS-GR X 20	N/A
G7120S1POP	AS 150EH-GR 10	B12 SH GRN 120	N/A	D12HS1000GRN	FS-150-SS-GR-10	N/A	H-122-OS-GR X 10	N/A
G7120S2POP	AS 150EH-GR 20	B12 SH GRN 240	N/A	D12HS2000GRN	FS-150-SS-GR-20	N/A	H-122-OS-GR X 20	N/A
G712LS1POP	AS 150S-GR 10	B12 S GRN 120	N/A	D12S1000GRN	FS-150-SL-GR-10	N/A	H-122-OS3-GR X 10	N/A
G712LS2POP	AS 150S-GR 20	B12 S GRN 240	N/A	D12S2000GRN	FS-150-SL-GR-20	N/A	H-122-OS3-GR X 20	N/A
G712A1POP	AS 150BTB-GR 10	B12A GRN 120	N/A	N/A	FS-151-GR-10	N/A	H-122-A-GR X 10	N/A
G712A2POP	AS 150BTB-GR 20	B12A GRN 240	N/A	N/A	FS-151-GR-20	N/A	H-122-A-GR X 20	N/A
G712AOS1POP	AS 150EH BTB-GR 10	N/A	N/A	N/A	N/A	N/A	N/A	N/A
G712AOS2POP	AS 150EH BTB-GR 20	N/A	N/A	N/A	N/A	N/A	N/A	N/A
G712K01POP	AS 150KO-GR 10	B12 K06 GRN 120	N/A	N/A	FS-150-KO-GR-10	N/A	H-122-KO-GR X 10	N/A
G712K02POP	AS 150KO-GR 20	B12 K06 GRN 240	N/A	N/A	FS-150-KO-GR-20	N/A	H-122-KO-GR X 20	N/A
Yellow Zinc Dichromate								
G7121YZ	N/A	N/A	N/A	N/A	N/A	N/A	H-122-ZN X 10	N/A
G7122YZ	N/A	N/A	N/A	N/A	N/A	N/A	H-122-ZN X 20	N/A
G712H1YZ	N/A	N/A	N/A	N/A	N/A	N/A	H-122-RS-ZN X 10	N/A
G712H2YZ	N/A	N/A	N/A	N/A	N/A	N/A	H-122-RS-ZN X 20	N/A
G7120S1YZ	N/A	N/A	N/A	N/A	N/A	N/A	H-122-OS-ZN X 10	N/A
G7120S2YZ	N/A	N/A	N/A	N/A	N/A	N/A	H-122-OS-ZN X 20	N/A
G712LS1YZ	N/A	N/A	N/A	N/A	N/A	N/A	H-122-OS3-ZN X 10	N/A
G712LS2YZ	N/A	N/A	N/A	N/A	N/A	N/A	H-122-OS3-ZN X 20	N/A
G712A1YZ	N/A	N/A	N/A	N/A	N/A	N/A	H-122-A-ZN X 10	N/A
G712A2YZ	N/A	N/A	N/A	N/A	N/A	N/A	H-122-A-ZN X 20	N/A
G712AOS1YZ	N/A	N/A	N/A	N/A	N/A	N/A	N/A	N/A
G712AOS2YZ	N/A	N/A	N/A	N/A	N/A	N/A	N/A	N/A
G712K01YZ	N/A	N/A	N/A	N/A	N/A	N/A	H-122-KO-ZN X 10	N/A
G712K02YZ	N/A	N/A	N/A	N/A	N/A	N/A	H-122-KO-ZN X 20	N/A
Galvannealed (WIZcoat™)								
G7121GN	N/A	N/A	N/A	N/A	N/A	N/A	N/A	N/A
G7122GN	N/A	N/A	N/A	N/A	N/A	N/A	N/A	N/A
G712H1GN	N/A	N/A	N/A	N/A	N/A	N/A	N/A	N/A
G712H2GN	N/A	N/A	N/A	N/A	N/A	N/A	N/A	N/A
G7120S1GN	N/A	N/A	N/A	N/A	N/A	N/A	N/A	N/A
G7120S2GN	N/A	N/A	N/A	N/A	N/A	N/A	N/A	N/A
G712LS1GN	N/A	N/A	N/A	N/A	N/A	N/A	N/A	N/A
G712LS2GN	N/A	N/A	N/A	N/A	N/A	N/A	N/A	N/A
G712A1GN	N/A	N/A	N/A	N/A	N/A	N/A	N/A	N/A
G712A2GN	N/A	N/A	N/A	N/A	N/A	N/A	N/A	N/A
G712AOS1GN	N/A	N/A	N/A	N/A	N/A	N/A	N/A	N/A
G712AOS2GN	N/A	N/A	N/A	N/A	N/A	N/A	N/A	N/A
G712AK01GN	N/A	N/A	N/A	N/A	N/A	N/A	N/A	N/A
G712AK02GN	N/A	N/A	N/A	N/A	N/A	N/A	N/A	N/A
Plain, Pickled, & Oiled								
G7121PO	AS 150-PL 10	B12 PLN 120	N/A	N/A	FS-150-PL-10	N/A	H-122-PL X 10	1601 PL (10)
G7122PO	AS 150-PL 20	B12 PLN 240	N/A	N/A	FS-150-PL-20	N/A	H-122-PL X 20	1602 PL (20)
G712H1PO	AS 150H-PL 10	B12 H17/8 PLN 120	N/A	N/A	FS-150-H-PL-10	N/A	H-122-RS-PL X 10	1621 PL (10)
G712H2PO	AS 150H-PL 20	B12 H17/8 PLN 240	N/A	N/A	FS-150-H-PL-20	N/A	H-122-RS-PL X 20	1622 PL (20)
G7120S1PO	AS 150EH-PL 10	B12 SH PLN 120	N/A	N/A	FS-150-SS-PL-10	FS122716-10-PLAIN	H-122-OS-PL X 10	1611 PL (10)
G7120S2PO	AS 150EH-PL 20	B12 SH PLN 240	N/A	N/A	FS-150-SS-PL-20	FS122716-20-PLAIN	H-122-OS-PL X 20	1612 PL (20)
G712LS1PO	AS 150S-PL 10	B12 S PLN 120	N/A	N/A	FS-150-SL-PL-10	N/A	H-122-OS3-PL X 10	1631 PL (10)
G712LS2PO	AS 150S-PL 20	B12 S PLN 240	N/A	N/A	FS-150-SL-PL-20	N/A	H-122-OS3-PL X 20	1632 PL (20)
G712A1PO	AS 150BTB-PL 10	B12A PLN 120	N/A	N/A	FS-151-PL-10	N/A	H-122-A-PL X 10	1601A PL (10)
G712A2PO	AS 150BTB-PL 20	B12A PLN 240	N/A	N/A	FS-151-PL-20	N/A	H-122-A-PL X 20	1602A PL (20)
G712AOS1PO	AS 150EH BTB-PL 10	N/A	N/A	N/A	N/A	FS122716BB-10-PLAIN	N/A	1611A PL (10)
G712AOS2PO	AS 150EH BTB-PL 20	N/A	N/A	N/A	N/A	FS122716BB-20-PLAIN	N/A	1612A PL (20)
G712AK01PO	AS 150KO-PL 10	N/A	N/A	N/A	FS-150-KO-PL-10	N/A	H-122-KO-PL X 10	1641 PL (10)
G712AK02PO	AS 150KO-PL 20	N/A	N/A	N/A	FS-150-KO-PL-20	N/A	H-122-KO-PL X 20	1642 PL (20)
Stainless Steel Grade 304 (N/A)								
G7121SS	(N/A)	N/A	N/A	N/A	FS-150-ST4-10	N/A	H-122-SS X 10	1601 SS304 (10)
G7122SS	(N/A)	N/A	N/A	N/A	FS-150-ST4-20	N/A	H-122-SS X 20	1602 SS304 (20)
G712H1SS	(N/A)	N/A	N/A	N/A	FS-150-H-ST4-10	N/A	H-122-RS-SS X 10	1621 SS304 (10)
G712H2SS	(N/A)	N/A	N/A	N/A	FS-150-H-ST4-20	N/A	H-122-RS-SS X 20	1622 SS304 (20)
G7120S1SS	(N/A)	N/A	N/A	N/A	FS-150-SS-ST4-10	FS122716-10-SS	H-122-OS-SS X 10	1611 SS304 (10)
G7120S2SS	(N/A)	N/A	N/A	N/A	FS-150-SS-ST4-20	FS122716-20-SS	H-122-OS-SS X 20	1612 SS304 (20)
G712LS1SS	(N/A)	N/A	N/A	N/A	FS-150-SL-ST4-10	N/A	H-122-OS3-SS X 10	1631 SS304 (10)
G712LS2SS	(N/A)	N/A	N/A	N/A	FS-150-SL-ST4-20	N/A	H-122-OS3-SS X 20	1632 SS304 (20)
G712A1SS	(N/A)	N/A	N/A	N/A	FS-151-ST4-10	N/A	H-122-A-SS X 10	1601A SS304 (10)
G712A2SS	(N/A)	N/A	N/A	N/A	FS-151-ST4-20	N/A	H-122-A-SS X 20	1602A SS304 (20)
G712AOS1SS	(N/A)	N/A	N/A	N/A	N/A	FS122716BB-10-SS	N/A	1611A SS304 (10)
G712AOS2SS	(N/A)	N/A	N/A	N/A	N/A	FS122716BB-20-SS	N/A	1612A SS304 (20)
G712AK01SS	(N/A)	N/A	N/A	N/A	FS-150-KO-ST4-10	N/A	H-122-KO-SS X 10	1641 SS304 (10)
G712AK02SS	(N/A)	N/A	N/A	N/A	FS-150-KO-ST4-20	N/A	H-122-KO-SS X 20	1642 SS304 (20)

CROSS REFERENCE



G-STRUT® (GREGORY IND.)	POWER-STRUT (ATKORE)	PUPCO (POWER UTILITY PRODUCTS)	SASCO STRUT (SASCO TUBE & ROLLFORM)	SUPERSTRUT (ABB GROUP/T&B)	UNISTRUT (ATKORE)	VERSABAR (VERSABAR CORP.)	WESANCO (ZSI-FOSTER)
Green							
G7121POP	PS 150 10 GR	AS-122-GR (10)		E1200 10GR	P5500 10GR	N/A	W-100 GREEN (10)
G7122POP	PS 150 20 GR	AS-122-GR (20)		E1200 20GR	P5500 20GR	N/A	W-100 GREEN (20)
G712H1POP	PS 150 H 10 GR	AS-122-RS-GR (10)		N/A	P5500 HS 10GR	N/A	W-100-H GREEN (10)
G712H2POP	PS 150 H 20 GR	AS-122-RS-GR (20)		N/A	P5500 HS 20GR	N/A	W-100-H GREEN (20)
G712OS1POP	PS 150 EH 10 GR	AS-122-OS-GR (10)		E1200-HS 10GR	P5500 T 10GR	N/A	W-100-SS GREEN (10)
G712OS2POP	PS 150 EH 20 GR	AS-122-OS-GR (20)		E1200-HS 10GR	P5500 T 20GR	N/A	W-100-SS GREEN (20)
G712LS1POP	PS 150 S 10 GR	AS-122-SL-GR (10)		N/A	P5500 SL 10GR	N/A	W-100-SL GREEN (10)
G712LS2POP	PS 150 S 20 GR	AS-122-SL-GR (20)		N/A	P5500 SL 20GR	N/A	W-100-SL GREEN (20)
G712A1POP	PS 150 2T3 10 GR	AS-122A-GR (10)		E1202 10GR	P5501 10GR	N/A	W-101 GREEN (10)
G712A2POP	PS 150 2T3 20 GR	AS-122A-GR (20)		E1202 20GR	P5501 20GR	N/A	W-101 GREEN (20)
G712AOS1POP	PS 150 2T3 EH 10 GR	AS-122A-OS-GR (10)		E1202-HS 10GR	P5501T 10GR	N/A	W-101-SS GREEN (10)
G712AOS2POP	PS 150 2T3 EH 20 GR	AS-122A-OS-GR (20)		E1202-HS 20GR	P5501T 20GR	N/A	W-101-SS GREEN (20)
G712KO1POP	PS 150 K06 10 GR	AS-122-KO-GR (10)		N/A	P5500 KO 10GR	N/A	W-100-KO GREEN (10)
G712KO2POP	PS 150 K06 20 GR	AS-122-KO-GR (20)		N/A	P5500 KO 20GR	N/A	W-100-KO GREEN (20)
Yellow Zinc Dichromate							
G7121YZ	PS 150 10 ZD	AS-122-GD (10)			N/A	N/A	
G7122YZ	PS 150 20 ZD	AS-122-GD (20)			N/A	N/A	
G712H1YZ	PS 150 H 10 ZD	AS-122-RS-GD (10)			N/A	N/A	
G712H2YZ	PS 150 H 20 ZD	AS-122-RS-GD (20)			N/A	N/A	
G712OS1YZ	PS 150 EH 10 ZD	AS-122-OS-GD (10)			N/A	N/A	
G712OS2YZ	PS 150 EH 20 ZD	AS-122-OS-GD (20)			N/A	N/A	
G712LS1YZ	PS 150 S 10 ZD	AS-122-SL-GD (10)			N/A	N/A	
G712LS2YZ	PS 150 S 20 ZD	AS-122-SL-GD (20)			N/A	N/A	
G712A1YZ	PS 150 2T3 10 ZD	AS-122A-GD (10)			N/A	N/A	
G712A2YZ	PS 150 2T3 20 ZD	AS-122A-GD (20)			N/A	N/A	
G712AOS1YZ	PS 150 2T3 EH 10 ZD	AS-122A-OS-GD (10)			N/A	N/A	
G712AOS2YZ	PS 150 2T3 EH 20 ZD	AS-122A-OS-GD (20)			N/A	N/A	
G712KO1YZ	PS 150 K06 10 ZD	AS-122-KO-GD (10)			N/A	N/A	
G712KO2YZ	PS 150 K06 20 ZD	AS-122-KO-GD (20)			N/A	N/A	
Galvannealed (WIZcoat™)							
G7121GN	N/A	N/A	N/A	N/A	N/A	N/A	N/A
G7122GN	N/A	N/A	N/A	N/A	N/A	N/A	N/A
G712H1GN	N/A	N/A	N/A	N/A	N/A	N/A	N/A
G712H2GN	N/A	N/A	N/A	N/A	N/A	N/A	N/A
G712OS1GN	N/A	N/A	N/A	N/A	N/A	N/A	N/A
G712OS2GN	N/A	N/A	N/A	N/A	N/A	N/A	N/A
G712LS1GN	N/A	N/A	N/A	N/A	N/A	N/A	N/A
G712LS2GN	N/A	N/A	N/A	N/A	N/A	N/A	N/A
G712A1GN	N/A	N/A	N/A	N/A	N/A	N/A	N/A
G712A2GN	N/A	N/A	N/A	N/A	N/A	N/A	N/A
G712AOS1GN	N/A	N/A	N/A	N/A	N/A	N/A	N/A
G712AOS2GN	N/A	N/A	N/A	N/A	N/A	N/A	N/A
G712AKO1GN	N/A	N/A	N/A	N/A	N/A	N/A	N/A
G712AKO2GN	N/A	N/A	N/A	N/A	N/A	N/A	N/A
Plain, Pickled, & Oiled							
G7121PO	PS 150 10 PL	AS-122-BK (10)	S1P (10)	E1200 10B	P5500 10PL	N/A	W-100 PLAIN (10)
G7122PO	PS 150 20 PL	AS-122-BK (20)	S1P (20)	E1200 20B	P5500 20PL	N/A	W-100 PLAIN (20)
G712H1PO	PS 150 H 10 PL	AS-122-RS-BK (10)	S1H112P (10)	N/A	P5500 HS 10PL	N/A	W-100-H PLAIN (10)
G712H2PO	PS 150 H 20 PL	AS-122-RS-BK (20)	S1H112P (20)	N/A	P5500 HS 20PL	N/A	W-100-H PLAIN (20)
G712OS1PO	PS 150 EH 10 PL	AS-122-OS-BK (10)	S1SL2P (10)	E1200-HS 10B	P5500 T 10PL	N/A	W-100-SS PLAIN (10)
G712OS2PO	PS 150 EH 20 PL	AS-122-OS-BK (20)	S1SL2P (20)	E1200-HS 20B	P5500 T 20PL	N/A	W-100-SS PLAIN (20)
G712LS1PO	PS 150 S 10 PL	AS-122-SL-BK (10)	S1SL4P (10)	N/A	P5500 SL 10PL	N/A	W-100-SL PLAIN (10)
G712LS2PO	PS 150 S 20 PL	AS-122-SL-BK (20)	S1SL4P (20)	N/A	P5500 SL 20PL	N/A	W-100-SL PLAIN (20)
G712A1PO	PS 150 2T3 10 PL	AS-122A-BK (10)	S1BB-P (10)	E1202 10B	P5501 10PL	N/A	W-101 PLAIN (10)
G712A2PO	PS 150 2T3 20 PL	AS-122A-BK (20)	S1BB-P (20)	E1202 20B	P5501 20PL	N/A	W-101 PLAIN (20)
G712AOS1PO	PS 150 2T3 EH 10 PL	AS-122A-OS-BK (10)		E1202-HS 10B	P5501T 10PL	N/A	W-101-SS PLAIN (10)
G712AOS2PO	PS 150 2T3 EH 20 PL	AS-122A-OS-BK (20)		E1202-HS 20B	P5501T 20PL	N/A	W-101-SS PLAIN (20)
G712AKO1PO	N/A	AS-122-KO-BK (10)		N/A	P5500 KO 10PL	N/A	W-100-KO PLAIN (10)
G712AKO2PO	N/A	AS-122-KO-BK (20)		N/A	P5500 KO 20PL	N/A	W-100-KO PLAIN (20)
Stainless Steel Grade 304 (N/A)							
G7121SS	PS 150 10 SS	AS-122-SS4 (10)			N/A	N/A	N/A
G7122SS	PS 150 20 SS	AS-122-SS4 (20)			N/A	N/A	N/A
G712H1SS	PS 150 H 10 SS	AS-122-RS-SS4 (10)			N/A	N/A	N/A
G712H2SS	PS 150 H 20 SS	AS-122-RS-SS4 (20)			N/A	N/A	N/A
G712OS1SS	PS 150 EH 10 SS	AS-122-OS-SS4 (10)			N/A	N/A	N/A
G712OS2SS	PS 150 EH 20 SS	AS-122-OS-SS4 (20)			N/A	N/A	N/A
G712LS1SS	PS 150 S 10 SS	AS-122-SL-SS4 (10)			N/A	N/A	N/A
G712LS2SS	PS 150 S 20 SS	AS-122-SL-SS4 (20)			N/A	N/A	N/A
G712A1SS	PS 150 2T3 10 SS	AS-122A-SS4 (10)			N/A	N/A	N/A
G712A2SS	PS 150 2T3 20 SS	AS-122A-SS4 (20)			N/A	N/A	N/A
G712AOS1SS	PS 150 2T3 EH 10 SS	AS-122A-OS-SS4 (10)			N/A	N/A	N/A
G712AOS2SS	PS 150 2T3 EH 20 SS	AS-122A-OS-SS4 (20)			N/A	N/A	N/A
G712AKO1SS	N/A	AS-122-KO-SS4 (10)			N/A	N/A	N/A
G712AKO2SS	N/A	AS-122-KO-SS4 (20)			N/A	N/A	N/A

G-STRUT® (GREGORY IND.)	ANVIL-STRUT (ANVIL INTERNATIONAL)	B-LINE (EATON)	ELITE STRUT (ELITE COMPONENTS)	ERICO/ERISTRUT (NVENT)	FLEX-STRUT (FLEX STRUT)	FLORIDA STRUT (ZSI-FOSTER)	H-STRUT (HAYDON CORP.)	PHD (PHD MFG.)
Stainless Steel Grade 316								
G7121SS (316)	(N/A)		N/A	N/A	N/A		H-122-SS(316) X 10	1601 SS316 (10)
G7122SS (316)	(N/A)		N/A	N/A	N/A		H-122-SS(316) X 20	1602 SS316 (20)
G712H1SS (316)	(N/A)		N/A	N/A	N/A		H-122-RS-SS(316) X 10	1621 SS316 (10)
G712H2SS (316)	(N/A)		N/A	N/A	N/A		H-122-RS-SS(316) X 20	1622 SS316 (20)
G7120S1SS (316)	(N/A)		N/A	N/A	N/A	FS122716-10-SS(316)	H-122-OS-SS(316) X 10	1611 SS316 (10)
G7120S2SS (316)	(N/A)		N/A	N/A	N/A	FS122716-20-SS(316)	H-122-OS-SS(316) X 20	1612 SS316 (20)
G712LS1SS (316)	(N/A)		N/A	N/A	N/A		H-122-OS3-SS(316) X 10	1631 SS316 (10)
G712LS2SS (316)	(N/A)		N/A	N/A	N/A		H-122-OS3-SS(316) X 20	1632 SS316 (20)
G712A1SS (316)	(N/A)		N/A	N/A	N/A		H-122-A-SS(316) X 10	1601A SS316 (10)
G712A2SS (316)	(N/A)		N/A	N/A	N/A		H-122-A-SS(316) X 20	1602A SS316 (20)
G712AOS1SS (316)	(N/A)		N/A	N/A	N/A	FS122716BB-10-SS(316)		1611A SS316 (10)
G712AOS2SS (316)	(N/A)		N/A	N/A	N/A	FS122716BB-20-SS(316)		1612A SS316 (20)
G712AK01SS (316)	(N/A)		N/A	N/A	N/A		H-122-KO-SS(316) X 10	1641 SS316 (10)
G712AK02SS (316)	(N/A)		N/A	N/A	N/A		H-122-KO-SS(316) X 20	1642 SS316 (20)
Aluminum Extruded								
G7121AL (N/A)		B12 AL 120	N/A	N/A	FS-150-AL-10			1601 AL (10)
G7122AL (N/A)		B12 AL 240	N/A	N/A	FS-150-AL-20			1602 AL (20)
G712H1AL (N/A)		B12 H17/8 AL 120	N/A	N/A	FS-150-H-AL-10			1621 AL (10)
G712H2AL (N/A)		B12 H17/8 AL 240	N/A	N/A	FS-150-H-AL-20			1622 AL (20)
G7120S1AL (N/A)		B12 SH AL 120	N/A	N/A	FS-150-SS-AL-10	FS122716-10-ALUMINUM		1611 AL (10)
G7120S2AL (N/A)		B12 SH AL 240	N/A	N/A	FS-150-SS-AL-20	FS122716-20-ALUMINUM		1612 AL (20)
G712LS1AL (N/A)		B12 SHA AL 120	N/A	N/A	FS-150-SL-AL-10			1631 AL (10)
G712LS2AL (N/A)		B12 SHA AL 240	N/A	N/A	FS-150-SL-AL-20			1632 AL (20)
G712A1AL (N/A)		B12A AL 120	N/A	N/A	FS-151-AL-10			1601A AL (10)
G712A2AL (N/A)		B12A AL 240	N/A	N/A	FS-151-AL-20			1602A AL (20)
G712AOS1AL (N/A)			N/A	N/A		FS122716BB-10-ALUMINUM		1611A AL (10)
G712AOS2AL (N/A)			N/A	N/A		FS122716BB-20-ALUMINUM		1612A AL (20)
G712AK01AL (N/A)			N/A	N/A	FS-150-KO-AL-10			1641 AL (10)
G712AK02AL (N/A)			N/A	N/A	FS-150-KO-AL-20			1642 AL (20)
Hot-dipped Galvanized								
G7121HDG		B12 HDG 120	N/A	N/A	FS-150-HD-10		H-122-HDG X 10	N/A
G7122HDG		B12 HDG 240	N/A	N/A	FS-150-HD-20		H-122-HDG X 20	N/A
G712H1HDG		B12 H17/8 HDG 120	N/A	N/A	FS-150-H-HD-10		H-122-RS-HDG X 10	N/A
G712H2HDG		B12 H17/8 HDG 240	N/A	N/A	FS-150-H-HD-20		H-122-RS-HDG X 20	N/A
G7120S1HDG		B12 SH HDG 120	N/A	N/A	FS-150-SS-HD-10	FS122716-10-HD	H-122-OS-HDG X 10	N/A
G7120S2HDG		B12 SH HDG 240	N/A	N/A	FS-150-SS-HD-20	FS122716-20-HD	H-122-OS-HDG X 20	N/A
G712LS1HDG		B12 S HDG 120	N/A	N/A	FS-150-SL-HD-10		H-122-OS3-HDG X 10	N/A
G712LS2HDG		B12 S HDG 240	N/A	N/A	FS-150-SL-HD-20		H-122-OS3-HDG X 20	N/A
G712A1HDG		B12A HDG 120	N/A	N/A	FS-151-HD-10		H-122-A-HDG X 10	N/A
G712A2HDG		B12A HDG 240	N/A	N/A	FS-151-HD-20		H-122-A-HDG X 20	N/A
G712AOS1HDG			N/A	N/A		FS122716BB-10-HD		N/A
G712AOS2HDG			N/A	N/A		FS122716BB-20-HD		N/A
G712AK01HDG			N/A	N/A	FS-150-KO-HD-10		H-122-KO-HDG X 10	N/A
G712AK02HDG			N/A	N/A	FS-150-KO-HD-20		H-122-KO-HDG X 20	N/A
PVC Coated (Galvanized or Black)								
G7121PVC		N/A	N/A	N/A	N/A	N/A		N/A
G7122PVC		N/A	N/A	N/A	N/A	N/A		N/A
G712H1PVC		N/A	N/A	N/A	N/A	N/A		N/A
G712H2PVC		N/A	N/A	N/A	N/A	N/A		N/A
G7120S1PVC		N/A	N/A	N/A	N/A	N/A		N/A
G7120S2PVC		N/A	N/A	N/A	N/A	N/A		N/A
G712LS1PVC		N/A	N/A	N/A	N/A	N/A		N/A
G712LS2PVC		N/A	N/A	N/A	N/A	N/A		N/A
G712A1PVC		N/A	N/A	N/A	N/A	N/A		N/A
G712A2PVC		N/A	N/A	N/A	N/A	N/A		N/A
G712AOS1PVC		N/A	N/A	N/A	N/A	N/A		N/A
G712AOS2PVC		N/A	N/A	N/A	N/A	N/A		N/A
G712AK01PVC		N/A	N/A	N/A	N/A	N/A		N/A
G712AK02PVC		N/A	N/A	N/A	N/A	N/A		N/A
Pre-Galvanized - G-582 - 1-5/8" x 1-5/8"								
G5821	AS 200-PG 10	B22 GALV 120	N/A	A121000PG	FS-200-PG-10		H-132-PG X 10	1001 PG (10)
G5822	AS 200-PG 20	B22 GALV 240	N/A	A122000PG	FS-200-PG-20		H-132-PG X 20	1002 PG (20)
G582H1	AS 200H-PG 10	B22 H17/8 GALV 120	N/A		FS-200-H-PG-10	FS12158-H-10-PRE-GALV	H-132-RS-PG X 10	1021 PG (10)
G582H2	AS 200H-PG 20	B22 H17/8 GALV 240	N/A		FS-200-H-PG-20	FS12158-H-10-PRE-GALV	H-132-RS-PG X 20	1022 PG (20)
G5820S1	AS 200EH-PG 10	B22 SH GALV 120	ES A12 UST001	A12HS1000PG	FS-200-SS-PG-10	FS12158-10-PRE-GALV	H-132-OS-PG X 10	1011 PG (10)
G5820S2	AS 200EH-PG 20	B22 SH GALV 240	ES A12 UST002	A12HS2000PG	FS-200-SS-PG-20	FS12158-20-PRE-GALV	H-132-OS-PG X 20	1012 PG (20)
G582LS1	AS 200S-PG 10	B22 S GALV 120	N/A		FS-200-SL-PG-10		H-132-OS3-PG X 10	1031 PG (10)
G582LS2	AS 200S-PG 20	B22 S GALV 240	N/A		FS-200-SL-PG-20		H-132-OS3-PG X 20	1032 PG (20)
G582A1	AS 200BTB-PG 10	B22A GALV 120	N/A	A12A1000PG	FS-201-PG-10		H-132-A-PG X 10	1001A PG (10)
G582A2	AS 200BTB-PG 20	B22A GALV 240	N/A	A12A2000PG	FS-201-PG-20		H-132-A-PG X 20	1002A PG (20)
G582AOS1	AS 200EH BTB-PG 10	B22A SHA GALV 120	N/A	A12AHS100PG		FS12158BB-10-PRE-GALV		1011A PG (10)
G582AOS2	AS 200EHBTB-PG 20	B22A SHA GALV 240	N/A	A12AHS200PG		FS12158BB-20-PRE-GALV		1012A PG (20)
G582K01	AS 200KO-PG 10	B22 K06 GALV 120	N/A		FS-200-KO-PG-10		H-132-KO-PG X 10	1041 PG (10)
G582K02	AS 200KO-PG 20	B22 K06 GALV 240	N/A		FS-200-KO-PG-20		H-132-KO-PG X 20	1042 PG (20)

CROSS REFERENCE



G-STRUT® (GREGORY IND.)	POWER-STRUT (ATKORE)	PUPCO (POWER UTILITY PRODUCTS)	SASCO STRUT (SASCO TUBE & ROLLFORM)	SUPERSTRUT (ABB GROUP/T&B)	UNISTRUT (ATKORE)	VERSABAR (VERSABAR CORP.)	WESANCO (ZSI-FOSTER)
Stainless Steel Grade 316							
G7121SS (316)	PS 150 10 SS(316)	AS-122-SS6 (10)			N/A	N/A	N/A
G7122SS (316)	PS 150 20 SS(316)	AS-122-SS6 (20)			N/A	N/A	N/A
G712H1SS (316)	PS 150 H 10 SS(316)	AS-122-RS-SS6 (10)			N/A	N/A	N/A
G712H2SS (316)	PS 150 H 20 SS(316)	AS-122-RS-SS6 (20)			N/A	N/A	N/A
G712OS1SS (316)	PS 150 EH 10 SS(316)	AS-122-OS-SS6 (10)			N/A	N/A	N/A
G712OS2SS (316)	PS 150 EH 20 SS(316)	AS-122-OS-SS6 (20)			N/A	N/A	N/A
G712LS1SS (316)	PS 150 S 10 SS(316)	AS-122-SL-SS6 (10)			N/A	N/A	N/A
G712LS2SS (316)	PS 150 S 20 SS(316)	AS-122-SL-SS6 (20)			N/A	N/A	N/A
G712A1SS (316)	PS 150 2T3 10 SS(316)	AS-122A-SS6 (10)			N/A	N/A	N/A
G712A2SS (316)	PS 150 2T3 20 SS(316)	AS-122A-SS6 (20)			N/A	N/A	N/A
G712AOS1SS (316)	PS 150 2T3 EH 10 SS(316)	AS-122A-OS-SS6 (10)			N/A	N/A	N/A
G712AOS2SS (316)	PS 150 2T3 EH 20 SS(316)	AS-122A-OS-SS6 (20)			N/A	N/A	N/A
G712AKO1SS (316)	N/A	AS-122-KO-SS6 (10)			N/A	N/A	N/A
G712AKO2SS (316)	N/A	AS-122-KO-SS6 (20)			N/A	N/A	N/A
Aluminum Extruded							
G7121AL (N/A)	PS 150 10 AL	AS-122-AL (10)	S1AL (10)	E1200 10AL	N/A	N/A	N/A
G7122AL (N/A)	PS 150 20 AL	AS-122-AL (20)	S1AL(316) (20)	E1200 20AL	N/A	N/A	N/A
G712H1AL (N/A)	PS 150 H 10 AL	AS-122-RS-AL (10)	S1H112AL (10)	N/A	N/A	N/A	N/A
G712H2AL (N/A)	PS 150 H 20 AL	AS-122-RS-AL (20)	S1H112AL (20)	N/A	N/A	N/A	N/A
G712OS1AL (N/A)	PS 150 EH 10 AL	AS-122-OS-AL (10)	S1SL2AL (10)	E1200-HS 10AL	N/A	N/A	N/A
G712OS2AL (N/A)	PS 150 EH 20 AL	AS-122-OS-AL (20)	S1SL2AL (20)	E1200-HS 20AL	N/A	N/A	N/A
G712LS1AL (N/A)	PS 150 S 10 AL	AS-122-SL-AL (10)	S1SL4AL (10)	N/A	N/A	N/A	N/A
G712LS2AL (N/A)	PS 150 S 20 AL	AS-122-SL-AL (20)	S1SL4AL (20)	N/A	N/A	N/A	N/A
G712A1AL (N/A)	PS 150 2T3 10 AL	AS-122A-AL (10)	S1BB-AL (10)	E1202 10AL	N/A	N/A	N/A
G712A2AL (N/A)	PS 150 2T3 20 AL	AS-122A-AL (20)	S1BB-AL (20)	E1202 20AL	N/A	N/A	N/A
G712AOS1AL (N/A)	PS 150 2T3 EH 10 AL	AS-122A-OS-AL (10)		E1202HS 10AL	N/A	N/A	N/A
G712AOS2AL (N/A)	PS 150 2T3 EH 20 AL	AS-122A-OS-AL (20)		E1202HS 20AL	N/A	N/A	N/A
G712AKO1AL (N/A)	N/A	AS-122-KO-AL (10)		N/A	N/A	N/A	N/A
G712AKO2AL (N/A)	N/A	AS-122-KO-AL (20)		N/A	N/A	N/A	N/A
Hot-dipped Galvanized							
G7121HDG	PS 150 10 HG	AS-122-HD (10)	S1HG (10)	E1200 10HDG	P5500 10HG	N/A	W-100 HDGAF (10)
G7122HDG	PS 150 20 HG	AS-122-HD (20)	S1HG (20)	E1200 20HDG	P5500 20HG	N/A	W-100 HDGAF (20)
G712H1HDG	PS 150 H 10 HG	AS-122-RS-HD (10)	S1H112HG (10)	N/A	P5500 HS 10HG	N/A	W-100-H HDGAF (10)
G712H2HDG	PS 150 H 20 HG	AS-122-RS-HD (20)	S1H112HG (20)	N/A	P5500 HS 20HG	N/A	W-100-H HDGAF (20)
G712OS1HDG	PS 150 EH 10 HG	AS-122-OS-HD (10)	S1SL2HG (10)	E1200HS 10HDG	P5500 T 10HG	N/A	W-100-SS HDGAF (10)
G712OS2HDG	PS 150 EH 20 HG	AS-122-OS-HD (20)	S1SL2HG (20)	E1200HS 20HDG	P5500 T 20HG	N/A	W-100-SS HDGAF (20)
G712LS1HDG	PS 150 S 10 HG	AS-122-SL-HD (10)	S1SL4HG (10)	N/A	P5500 SL 10HG	N/A	W-100-SL HDGAF (10)
G712LS2HDG	PS 150 S 20 HG	AS-122-SL-HD (20)	S1SL4HG (20)	N/A	P5500 SL 20HG	N/A	W-100-SL HDGAF (20)
G712A1HDG	PS 150 2T3 10 HG	AS-122A-HD (10)	S1BB-HG (10)	E1202 10HDG	P5501 10HG	N/A	W-101 HDGAF (10)
G712A2HDG	PS 150 2T3 20 HG	AS-122A-HD (20)	S1BB-HG (20)	E1202 20HDG	P5501 20HG	N/A	W-101 HDGAF (20)
G712AOS1HDG	PS 150 2T3 EH 10 HG	AS-122A-OS-HD (10)		E1202HS 10HDG	P5501T 10HG	N/A	W-101-SS HDGAF (10)
G712AOS2HDG	PS 150 2T3 EH 20 HG	AS-122A-OS-HD (20)		E1202HS 20HDG	P5501T 20HG	N/A	W-101-SS HDGAF (20)
G712AKO1HDG	N/A	AS-122-KO-HD (10)		N/A	P5500 KO 10HG	N/A	W-100-KO HDGAF (10)
G712AKO2HDG	N/A	AS-122-KO-HD (20)		N/A	P5500 KO 20HG	N/A	W-100-KO HDGAF (20)
PVC Coated (Galvanized or Black)							
G7121PVC	N/A	AS-122-PVC (10)		E1200 10PVC	N/A	N/A	
G7122PVC	N/A	AS-122-PVC (20)		E1200 20PVC	N/A	N/A	
G712H1PVC	N/A	AS-122-RS-PVC (10)		N/A	N/A	N/A	
G712H2PVC	N/A	AS-122-RS-PVC (20)		N/A	N/A	N/A	
G712OS1PVC	N/A	AS-122-OS-PVC (10)		E1200HS 10PVC	N/A	N/A	
G712OS2PVC	N/A	AS-122-OS-PVC (20)		E1200HS 20PVC	N/A	N/A	
G712LS1PVC	N/A	AS-122-SL-PVC (10)		N/A	N/A	N/A	
G712LS2PVC	N/A	AS-122-SL-PVC (20)		N/A	N/A	N/A	
G712A1PVC	N/A	AS-122A-PVC (10)		E1202 10PVC	N/A	N/A	
G712A2PVC	N/A	AS-122A-PVC (20)		E1202 20PVC	N/A	N/A	
G712AOS1PVC	N/A	AS-122A-OS-PVC (10)		E1202HS 10PVC	N/A	N/A	
G712AOS2PVC	N/A	AS-122A-OS-PVC (20)		E1202HS 20PVC	N/A	N/A	
G712AKO1PVC	N/A	AS-122-KO-PVC (10)		N/A	N/A	N/A	
G712AKO2PVC	N/A	AS-122-KO-PVC (20)		N/A	N/A	N/A	
Pre-Galvanized - G-582 - 1-5/8" x 1-5/8"							
G5821	PS 200 10 PG	AS-132-PG (10)	S2G (10)	A1200 10PG	P1000 10PG	VA-1 EG (10)	W-200 PRE-GALV (10)
G5822	PS 200 20 PG	AS-132-PG (20)	S2G (20)	A1200 20PG	P1000 20PG	VA-1 EG (20)	W-200 PRE-GALV (20)
G582H1	PS 200 H 10 PG	AS-132-RS-PG (10)	S2H112G (10)	A1200-H 10PG	P1000 HS 10PG	VA-1P1.87 EG (10)	W-200-H-PRE-GALV (10)
G582H2	PS 200 H 20 PG	AS-132-RS-PG (20)	S2H112G (20)	A1200-H 20PG	P1000 HS 20PG	VA-1P1.87 EG (20)	W-200-H-PRE-GALV (20)
G582OS1	PS 200 EH 10 PG	AS-132-OS-PG (10)	S2SL2G (10)	A1200-HS 10PG	P1000 T 10PG	VA-1PLH EG (10)	W-200-SS PRE-GALV (10)
G582OS2	PS 200 EH 20 PG	AS-132-OS-PG (20)	S2SL2G (20)	A1200-HS 20PG	P1000 T 20PG	VA-1PLH EG (20)	W-200-SS PRE-GALV (20)
G582LS1	PS 200 S 10 PG	AS-132-SL-PG (10)	S2SL4G (10)	A1200-S 10PG	P1000 SL 10PG	VA-1P3S EG (10)	W-200-SL PRE-GALV (10)
G582LS2	PS 200 S 20 PG	AS-132-SL-PG (20)	S2SL4G (20)	A1200-S 20PG	P1000 SL 20PG	VA-1P3S EG (20)	W-200-SL PRE-GALV (20)
G582A1	PS 200 2T3 10 PG	AS-132A-PG (10)	S2BB-G (10)	A1202 10PG	P1001 10PG	VA-1201 EG (10)	W-201 PRE-GALV (10)
G582A2	PS 200 2T3 20 PG	AS-132A-PG (20)	S2BB-G (20)	A1202 20PG	P1001 20PG	VA-1201 EG (20)	W-201 PRE-GALV (20)
G582AOS1	N/A	AS-132A-OS-PG (10)		A1202-HS 10PG	P1001T 10PG	VA-1201PLH EG (10)	W-201-SS PRE-GALV (10)
G582AOS2	N/A	AS-132A-OS-PG (20)		A1202-HS 20PG	P1001T 20PG	VA-1201PLH EG (20)	W-201-SS PRE-GALV (20)
G582KO1	PS 200 KO6 10 PG	AS-132-KO-PG (10)	S2KO6G (10)	A1200-KO 10PG	P1000 KO 10PG	VA-1KO6 EG (10)	W-200-KO PRE-GALV (10)
G582KO2	PS 200 KO6 20 PG	AS-132-KO-PG (20)	S2KO6G (20)	A1200-KO 20PG	P1000 KO 20PG	VA-1KO6 EG (20)	W-200-KO PRE-GALV (20)

G-STRUT® (GREGORY IND.)	ANVIL-STRUT (ANVIL INTERNATIONAL)	B-LINE (EATON)	ELITE STRUT (ELITE COMPONENTS)	ERICO/ERISTRUT (NVENT)	FLEX-STRUT (FLEX STRUT)	FLORIDA STRUT (ZSI-FOSTER)	H-STRUT (HAYDON CORP.)	PHD (PHD MFG.)
Green								
G5821POP	AS 200-GR 10	B22 GRN 120	N/A	A121000GN	FS-200-GR-10	N/A	H-132-GR X 10	N/A
G5822POP	AS 200-GR 20	B22 GRN 240	N/A	A122000GN	FS-200-GR-20	N/A	H-132-GR X 20	N/A
G582H1POP	AS 200H-GR 10	B22 H17/8 GRN 120	N/A	N/A	FS-200-H-GR-10	N/A	H-132-RS-GR X 10	N/A
G582H2POP	AS 200H-GR 20	B22 H17/8 GRN 240	N/A	N/A	FS-200-H-GR-20	N/A	H-132-RS-GR X 20	N/A
G582OS1POP	AS 200EH-GR 10	B22 SH GRN 120	ES A12 UST003	A12HS1000GN	FS-200-SS-GR-10	N/A	H-132-OS-GR X 10	N/A
G582OS2POP	AS 200EH-GR 20	B22 SH GRN 240	ES A12 UST005	A12HS2000GN	FS-200-SS-GR-20	N/A	H-132-OS-GR X 20	N/A
G582LS1POP	AS 200S-GR 10	B22 S GRN 120	N/A	N/A	FS-200-SL-GR-10	N/A	H-132-OS3-GR X 10	N/A
G582LS2POP	AS 200S-GR 20	B22 S GRN 240	N/A	N/A	FS-200-SL-GR-20	N/A	H-132-OS3-GR X 20	N/A
G582A1POP	AS 200BTB-GR 10	B22A GRN 120	N/A	A12A1000GN	FS-201-GR-10	N/A	H-132-A-GR X 10	N/A
G582A2POP	AS 200BTB-GR 20	B22A GRN 240	N/A	A12A2000GN	FS-201-GR-20	N/A	H-132-A-GR X 20	N/A
G582AOS1POP	AS 200EH BTB-GR 10	B22A SHA GRN 120	N/A	A12AHS100GN	N/A	N/A	N/A	N/A
G582AOS2POP	AS 200EHBTB-GR 20	B22A SHA GRN 240	N/A	A12AHS200GN	N/A	N/A	N/A	N/A
G582K01POP	AS 200K0-GR 10	B22 K06 GRN 120	N/A	N/A	FS-200-K0-GR-10	N/A	H-132-K0-GR X 10	N/A
G582K02POP	AS 200K0-GR 20	B22 K06 GRN 240	N/A	N/A	FS-200-K0-GR-20	N/A	H-132-K0-GR X 20	N/A
Yellow Zinc Dichromate								
G5821YZ			N/A		N/A	N/A		N/A
G5822YZ			N/A		N/A	N/A		N/A
G582H1YZ			N/A		N/A	N/A		N/A
G582H2YZ			N/A		N/A	N/A		N/A
G582OS1YZ			N/A	A12HS1000CG	N/A	N/A		N/A
G582OS2YZ			N/A	A12HS2000CG	N/A	N/A		N/A
G582LS1YZ			N/A		N/A	N/A		N/A
G582LS2YZ			N/A		N/A	N/A		N/A
G582A1YZ			N/A		N/A	N/A		N/A
G582A2YZ			N/A		N/A	N/A		N/A
G582AOS1YZ			N/A		N/A	N/A		N/A
G582AOS2YZ			N/A		N/A	N/A		N/A
G582K01YZ			N/A		N/A	N/A		N/A
G582K02YZ			N/A		N/A	N/A		N/A
Aluminum Extruded								
G5821AL		B22 AL 120	N/A		FS-200-AL-10		H-132-AL X 10	1001 AL (10)
G5822AL		B22 AL 240	N/A		FS-200-AL-20		H-132-AL X 20	1002 AL (20)
G582H1AL		B22 H17/8 AL 120	N/A		FS-200-H-AL-10	FS12158-H-10-ALUMINUM	H-132-RS-AL X 10	1021 AL (10)
G582H2AL		B22 H17/8 AL 240	N/A		FS-200-H-AL-20	FS12158-H-10-ALUMINUM	H-132-RS-AL X 20	1022 AL (20)
G582OS1AL		B22 SH AL 120	N/A		FS-200-SS-AL-10	FS12158-10-ALUMINUM	H-132-OS-AL X 10	1011 AL (10)
G582OS2AL		B22 SH AL 240	N/A		FS-200-SS-AL-20	FS12158-20-ALUMINUM	H-132-OS-AL X 20	1012 AL (20)
G582LS1AL		B22 S AL 120	N/A		FS-200-SL-AL-10		H-132-OS3-AL X 10	1031 AL (10)
G582LS2AL		B22 S AL 240	N/A		FS-200-SL-AL-20		H-132-OS3-AL X 20	1032 AL (20)
G582A1AL		B22A AL 120	N/A		FS-201-AL-10		H-132-A-AL X 10	1001A-AL (10)
G582A2AL		B22A AL 240	N/A		FS-201-AL-20		H-132-A-AL X 20	1002A-AL (20)
G582AOS1AL		B22A SHA AL 120	N/A			FS12158BB-10-ALUMINUM		1011A-AL (10)
G582AOS2AL		B22A SHA AL 240	N/A			FS12158BB-20-ALUMINUM		1012A-AL (20)
G582K01AL		B22 K06 AL 120	N/A		FS-200-K0-AL-10		H-132-K0-AL X 10	1041 AL (10)
G582K02AL		B22 K06 AL 240	N/A		FS-200-K0-AL-20		H-132-K0-AL X 20	1042 AL (20)
Galvannealed (WIZcoat™)								
G5821GN	N/A	N/A	N/A	N/A	N/A	N/A	N/A	N/A
G5822GN	N/A	N/A	N/A	N/A	N/A	N/A	N/A	N/A
G582H1GN	N/A	N/A	N/A	N/A	N/A	N/A	N/A	N/A
G582H2GN	N/A	N/A	N/A	N/A	N/A	N/A	N/A	N/A
G582OS1GN	N/A	N/A	N/A	N/A	N/A	N/A	N/A	N/A
G582OS2GN	N/A	N/A	N/A	N/A	N/A	N/A	N/A	N/A
G582LS1GN	N/A	N/A	N/A	N/A	N/A	N/A	N/A	N/A
G582LS2GN	N/A	N/A	N/A	N/A	N/A	N/A	N/A	N/A
G582A1GN	N/A	N/A	N/A	N/A	N/A	N/A	N/A	N/A
G582A-2GN	N/A	N/A	N/A	N/A	N/A	N/A	N/A	N/A
G582AOS1GN	N/A	N/A	N/A	N/A	N/A	N/A	N/A	N/A
G582AOS2GN	N/A	N/A	N/A	N/A	N/A	N/A	N/A	N/A
G582K01GN	N/A	N/A	N/A	N/A	N/A	N/A	N/A	N/A
G582K02GN	N/A	N/A	N/A	N/A	N/A	N/A	N/A	N/A
Plain, Pickled, & Oiled								
G5821PO	AS 200-PL 10	B22 PLN 120	N/A	A121000PL	FS-200-PL-10		H-132-PL X 10	1001 PL (10)
G5822PO	AS 200-PL 20	B22 PLN 240	N/A	A122000PL	FS-200-PL-20		H-132-PL X 20	1002 PL (20)
G582H1PO	AS 200H-PL 10	B22 H17/8 PLN 120	N/A		FS-200-H-PL-10	FS12158-H-10-PLAIN	H-132-RS-PL X 10	1021 PL (10)
G582H2PO	AS 200H-PL 20	B22 H17/8 PLN 240	N/A		FS-200-H-PL-20	FS12158-H-10-PLAIN	H-132-RS-PL X 20	1022 PL (20)
G582OS1PO	AS 200EH-PL 10	B22 SH PLN 120	N/A		FS-200-SS-PL-10	FS12158-10-PLAIN	H-132-OS-PL X 10	1011 PL (10)
G582OS2PO	AS 200EH-PL 20	B22 SH PLN 240	N/A		FS-200-SS-PL-20	FS12158-20-PLAIN	H-132-OS-PL X 20	1012 PL (20)
G582LS1PO	AS 200S-PL 10	B22 S PLN 120	N/A		FS-200-SL-PL-10		H-132-OS3-PL X 10	1031 PL (10)
G582LS2PO	AS 200S-PL 20	B22 S PLN 240	N/A		FS-200-SL-PL-20		H-132-OS3-PL X 20	1032 PL (20)
G582A1PO	AS 200BTB-PL 10	B22A PLN 120	N/A		FS-201-PL-10		H-132-A-PL X 10	1001A PL (10)
G582A2PO	AS 200BTB-PL 20	B22A PLN 240	N/A		FS-201-PL-20		H-132-A-PL X 20	1002A PL (20)
G582AOS1PO	AS 200EH BTB-PL 10	B22A SHA PLN 120	N/A			FS12158BB-10-PLAIN		1011A PL (10)
G582AOS2PO	AS 200EHBTB-PL 20	B22A SHA PLN 240	N/A			FS12158BB-20-PLAIN		1012A PL (20)
G582K01PO	AS 200K0-PL 10	B22 K06 PLN 120	N/A		FS-200-K0-PL-10		H-132-K0-PL X 10	1041 PL (10)
G582K02PO	AS 200K0-PL 20	B22 K06 PLN 240	N/A		FS-200-K0-PL-20		H-132-K0-PL X 20	1042 PL (20)

CROSS REFERENCE



G-STRUT® (GREGORY IND.)	POWER-STRUT (ATKORE)	PUPCO (POWER UTILITY PRODUCTS)	SASCO STRUT (SASCO TUBE & ROLLFORM)	SUPERSTRUT (ABB GROUP/T&B)	UNISTRUT (ATKORE)	VERSABAR (VERSABAR CORP.)	WESANCO (ZSI-FOSTER)
Green							
G5821POP	PS 200 10 GR	AS-132-GR (10)		A1200 10GR	P1000 10GR	N/A	W-200 GREEN (10)
G5822POP	PS 200 20 GR	AS-132-GR (20)		A1200 20GR	P1000 20GR	N/A	W-200 GREEN (20)
G582H1POP	PS 200 H 10 GR	AS-132-RS-GR (10)		A1200-H 10GR	P1000 HS 10GR	N/A	W-200-H GREEN (10)
G582H2POP	PS 200 H 20 GR	AS-132-RS-GR (20)		A1200-H 20GR	P1000 HS 20GR	N/A	W-200-H GREEN (20)
G582OS1POP	PS 200 EH 10 GR	AS-132-OS-GR (10)		A1200-HS 10GR	P1000 T 10GR	N/A	W-200-SS GREEN (10)
G582OS2POP	PS 200 EH 20 GR	AS-132-OS-GR (20)		A1200-HS 20GR	P1000 T 20GR	N/A	W-200-SS GREEN (20)
G582LS1POP	PS 200 S 10 GR	AS-132-SL-GR (10)		A1200-S 10GR	P1000 SL 10GR	N/A	W-200-SL GREEN (10)
G582LS2POP	PS 200 S 20 GR	AS-132-SL-GR (20)		A1200-S 20GR	P1000 SL 20GR	N/A	W-200-SL GREEN(20)
G582A1POP	PS 200 2T3 10 GR	AS-132A-GR (10)		A1202 10GR	P1001 10GR	N/A	W-201 GREEN (10)
G582A2POP	PS 200 2T3 20 GR	AS-132A-GR (20)		A1202 20GR	P1001 20GR	N/A	W-201 GREEN (20)
G582AOS1POP	N/A	AS-132A-OS-GR (10)		A1202-HS 10GR	P1001T 10GR	N/A	W-201-SS GREEN (10)
G582AOS2POP	N/A	AS-132A-OS-GR (20)		A1202-HS 20	P1001T 20GR	N/A	W-201-SS GREEN (20)
G582KO1POP	PS 200 K06 10 GR	AS-132-KO-GR (10)		A1200-KO 10	N/A	N/A	W-200-KO GREEN (10)
G582KO2POP	PS 200 K06 20 GR	AS-132-KO-GR (20)		A1200-KO 20	N/A	N/A	W-200-KO GREEN (20)
Yellow Zinc Dichromate							
G5821YZ	N/A	AS-132-GD (10)			N/A	N/A	
G5822YZ	N/A	AS-132-GD (20)			N/A	N/A	
G582H1YZ	N/A	AS-132-RS-GD (10)			N/A	N/A	
G582H2YZ	N/A	AS-132-RS-GD (20)			N/A	N/A	
G582OS1YZ	N/A	AS-132-OS-GD (10)			N/A	N/A	
G582OS2YZ	N/A	AS-132-OS-GD (20)			N/A	N/A	
G582LS1YZ	N/A	AS-132-SL-GD (10)			N/A	N/A	
G582LS2YZ	N/A	AS-132-SL-GD (20)			N/A	N/A	
G582A1YZ	N/A	AS-132A-GD (10)			N/A	N/A	
G582A2YZ	N/A	AS-132A-GD (20)			N/A	N/A	
G582AOS1YZ	N/A	AS-132A-OS-GD (10)			N/A	N/A	
G582AOS2YZ	N/A	AS-132A-OS-GD (20)			N/A	N/A	
G582KO1YZ	N/A	AS-132-KO-GD (10)			N/A	N/A	
G582KO2YZ	N/A	AS-132-KO-GD (20)			N/A	N/A	
Aluminum Extruded							
G5821AL	PS 200 10 AL	AS-132-AL (10)	S2AL (10)	A1200 10AL	N/A	N/A	N/A
G5822AL	PS 200 20 AL	AS-132-AL (20)	S2AL (20)	A1200 20AL	N/A	N/A	N/A
G582H1AL	PS 200 H 10 AL	AS-132-RS-AL (10)	S2H112AL (10)	A1200-H 10AL	N/A	N/A	N/A
G582H2AL	PS 200 H 20 AL	AS-132-RS-AL (20)	S2H112AL (20)	A1200-H 20AL	N/A	N/A	N/A
G582OS1AL	PS 200 EH 10 AL	AS-132-OS-AL (10)	S2SL2AL (10)	A1200-HS 10AL	N/A	N/A	N/A
G582OS2AL	PS 200 EH 20 AL	AS-132-OS-AL (20)	S2SL2AL (20)	A1200-HS 20AL	N/A	N/A	N/A
G582LS1AL	PS 200 S 10 AL	AS-132-SL-AL (10)	S2SL4AL (10)	A1200-S 10AL	N/A	N/A	N/A
G582LS2AL	PS 200 S 20 AL	AS-132-SL-AL (20)	S2SL4AL (20)	A1200-S 20AL	N/A	N/A	N/A
G582A1AL	PS 200 2T3 10 AL	AS-132A-AL (10)	S2BB-AL (10)	A1202 10AL	N/A	N/A	N/A
G582A2AL	PS 200 2T3 20 AL	AS-132A-AL (20)	S2BB-AL (20)	A1202 20AL	N/A	N/A	N/A
G582AOS1AL	N/A	AS-132A-OS-AL (10)		A1202-HS 10AL	N/A	N/A	N/A
G582AOS2AL	N/A	AS-132A-OS-AL (20)		A1202-HS 20AL	N/A	N/A	N/A
G582KO1AL	PS 200 K06 10 AL	AS-132-KO-AL (10)	S2K06AL (10)	A1200-KO 10AL	N/A	N/A	N/A
G582KO2AL	PS 200 K06 20 AL	AS-132-KO-AL (20)	S2K06AL (20)	A1200-KO 20AL	N/A	N/A	N/A
Galvannealed (WIZcoat™)							
G5821GN	N/A	N/A	N/A	N/A	N/A	N/A	N/A
G5822GN	N/A	N/A	N/A	N/A	N/A	N/A	N/A
G582H1GN	N/A	N/A	N/A	N/A	N/A	N/A	N/A
G582H2GN	N/A	N/A	N/A	N/A	N/A	N/A	N/A
G582OS1GN	N/A	N/A	N/A	N/A	N/A	N/A	N/A
G582OS2GN	N/A	N/A	N/A	N/A	N/A	N/A	N/A
G582LS1GN	N/A	N/A	N/A	N/A	N/A	N/A	N/A
G582LS2GN	N/A	N/A	N/A	N/A	N/A	N/A	N/A
G582A1GN	N/A	N/A	N/A	N/A	N/A	N/A	N/A
G582A2GN	N/A	N/A	N/A	N/A	N/A	N/A	N/A
G582AOS1GN	N/A	N/A	N/A	N/A	N/A	N/A	N/A
G582AOS2GN	N/A	N/A	N/A	N/A	N/A	N/A	N/A
G582KO1GN	N/A	N/A	N/A	N/A	N/A	N/A	N/A
G582KO2GN	N/A	N/A	N/A	N/A	N/A	N/A	N/A
Plain, Pickled, & Oiled							
G5821PO	PS 200 10 PL	AS-132-BK (10)	S2P (10)	A1200 10B	P1000 10PL	N/A	W-200 PLAIN (10)
G5822PO	PS 200 20 PL	AS-132-BK (20)	S2P (20)	A1200 20B	P1000 20PL	N/A	W-200 PLAIN (20)
G582H1PO	PS 200 H 10 PL	AS-132-RS-BK (10)	S2H112P (10)	A1200-H 10B	P1000 HS 10PL	N/A	W-200-H PLAIN (10)
G582H2PO	PS 200 H 20 PL	AS-132-RS-BK (20)	S2H112P (20)	A1200-H 20B	P1000 HS 20PL	N/A	W-200-H PLAIN (20)
G582OS1PO	PS 200 EH 10 PL	AS-132-OS-BK (10)	S2SL2P (10)	A1200-HS 10B	P1000 T 10PL	N/A	W-200-SS PLAIN (10)
G582OS2PO	PS 200 EH 20 PL	AS-132-OS-BK (20)	S2SL2P (20)	A1200-HS 20B	P1000 T 20PL	N/A	W-200-SS PLAIN (20)
G582LS1PO	PS 200 S 10 PL	AS-132-SL-BK (10)	S2SL4P (10)	A1200-S 10B	P1000 SL 10PL	N/A	W-200-SL PLAIN (10)
G582LS2PO	PS 200 S 20 PL	AS-132-SL-BK (20)	S2SL4P (20)	A1200-S 20B	P1000 SL 20PL	N/A	W-200-SL PLAIN (20)
G582A1PO	PS 200 2T3 10 PL	AS-132A-BK (10)	S2BB-P (10)	A1202 10B	P1001 10PL	N/A	W-201 PLAIN (10)
G582A2PO	PS 200 2T3 20 PL	AS-132A-BK (20)	S2BB-P (20)	A1202 20B	P1001 20PL	N/A	W-201 PLAIN (20)
G582AOS1PO	N/A	AS-132A-OS-BK (10)		A1202-HS 10B	P1001T 10PL	N/A	W-201-SS PLAIN (10)
G582AOS2PO	N/A	AS-132A-OS-BK (20)		A1202-HS 20B	P1001T 20PL	N/A	W-201-SS PLAIN (20)
G582KO1PO	PS 200 K06 10 PL	AS-132-KO-BK (10)	S2K06P (10)	A1200-KO 10B	P100KO 10PL	N/A	W-200-KO PLAIN (10)
G582KO2PO	PS 200 K06 20 PL	AS-132-KO-BK (20)	S2K06P (20)	A1200-KO 20B	P100KO 20PL	N/A	W-200-KO PLAIN (20)

CROSS REFERENCE

G-STRUT® (GREGORY IND.)	ANVIL-STRUT (ANVIL INTERNATIONAL)	B-LINE (EATON)	ELITE STRUT (ELITE COMPONENTS)	ERICO/ERISTRUT (NVENT)	FLEX-STRUT (FLEX STRUT)	FLORIDA STRUT (ZSI-FOSTER)	H-STRUT (HAYDON CORP.)	PHD (PHD MFG.)
Hot-dipped Galvanized								
G5821HDG		B22 HDG 120	N/A		FS-200-HD-10		H-132-HDG X 10	1001 HD (10)
G5822HDG		B22 HDG 240	N/A		FS-200-HD-20		H-132-HDG X 20	1002 HD (20)
G582H1HDG		B22 H17/8 HDG 120	N/A		FS-200-H-HD-10	FS12158-10-H-HD	H-132-RS-HDG X 10	1021 HD (10)
G582H2HDG		B22 H17/8 HDG 240	N/A		FS-200-H-HD-20	FS12158-20-H-HD	H-132-RS-HDG X 20	1022 HD (20)
G5820S1HDG		B22 SH HDG 120	N/A		FS-200-SS-HD-10	FS12158-10-HD	H-132-OS-HDG X 10	1011 HD (10)
G5820S2HDG		B22 SH HDG 240	N/A		FS-200-SS-HD-20	FS12158-20-HD	H-132-OS-HDG X 20	1012 HD (20)
G582LS1HDG		B22 S HDG 120	N/A		FS-200-SL-HD-10		H-132-OS3-HDG X 10	1031 HD (10)
G582LS2HDG		B22 S HDG 240	N/A		FS-200-SL-HD-20		H-132-OS3-HDG X 20	1032 HD (20)
G582A1HDG		B22A HDG 120	N/A		FS-201-HD-10		H-132-A-HDG X 10	1001A HD (10)
G582A2HDG		B22A HDG 240	N/A		FS-201-HD-20		H-132-A-HDG X 20	1002A HD (20)
G582AOS1HDG		B22A SHA HDG 120	N/A			FS12158BB-10-HD		1011A HD (10)
G582AOS2HDG		B22A SHA HDG 240	N/A			FS12158BB-20-HD		1012A HD (20)
G582K01HDG		B22 K06 HDG 120	N/A		FS-200-KO-HD-10		H-132-KO-HDG X 10	1041 HD (10)
G582K02HDG		B22 K06 HDG 240	N/A		FS-200-KO-HD-20		H-132-KO-HDG X 20	1042 HD (20)
Stainless Steel Grade 304								
G5821SS		B22 SS4 120	N/A		FS-200-ST4-10		H-132-SS X 10	1001 SS304 (10)
G5822SS		B22 SS4 240	N/A		FS-200-ST4-20		H-132-SS X 20	1002 SS304 (10)
G582H1SS		B22 H17/8 SS4 120	N/A		FS-200-H-ST4-10	FS12158-10-H-SS	H-132-RS-SS X 10	1021 SS304 (10)
G582H2SS		B22 H17/8 SS4 240	N/A		FS-200-H-ST4-20	FS12158-20-H-SS	H-132-RS-SS X 20	1022 SS304 (10)
G5820S1SS		B22 SH SS4 120	N/A	A12HS1000S4	FS-200-SS-ST4-10	FS12158-10-SS	H-132-OS-SS X 10	1011 SS304 (10)
G5820S2SS		B22 SH SS4 240	N/A	A12HS2000S4	FS-200-SS-ST4-20	FS12158-20-SS	H-132-OS-SS X 20	1012 SS304 (10)
G582LS1SS		B22 S SS4 120	N/A		FS-200-SL-ST4-10		H-132-OS3-SS X 10	1031 SS304 (10)
G582LS2SS		B22 S SS4 240	N/A		FS-200-SL-ST4-20		H-132-OS3-SS X 20	1032 SS304 (10)
G582A1SS		B22A SS4 120	N/A		FS-201-ST4-10		H-132-A-SS X 10	1001A SS304 (10)
G582A2SS		B22A SS4 240	N/A		FS-201-ST4-20		H-132-A-SS X 20	1002A SS304 (10)
G582AOS1SS		B22A SHA SS4 120	N/A			FS12158BB-10-SS		1011A SS304 (10)
G582AOS2SS		B22A SHA SS4 240	N/A			FS12158BB-20-SS		1012A SS304 (10)
G582K01SS		B22 K06 SS4 120	N/A		FS-200-KO-ST4-10		H-132-KO-SS X 10	1041 SS304 (10)
G582K02SS		B22 K06 SS4 240	N/A		FS-200-KO-ST4-20		H-132-KO-SS X 20	1042 SS304 (10)
Stainless Steel Grade 316								
G5821SS(316)		B22 SS6 120	N/A		FS-200-ST6-10		H-132-SS(316) X 10	1001 SS316 (10)
G5822SS(316)		B22 SS6 240	N/A		FS-200-ST6-20		H-132-SS(316) X 20	1002 SS316 (20)
G582H1SS(316)		B22 H17/8 SS6 120	N/A		FS-200-H-ST6-10	FS12158-10-H-SS(316)	H-132-RS-SS(316) X 10	1021 SS316 (10)
G582H2SS(316)		B22 H17/8 SS6 240	N/A		FS-200-H-ST6-20	FS12158-20-H-SS(316)	H-132-RS-SS(316) X 20	1022 SS316 (20)
G5820S1SS(316)		B22 SH SS6 120	N/A		FS-200-SS-ST6-10	FS12158-10-SS(316)	H-132-OS-SS(316) X 10	1011 SS316 (10)
G5820S2SS(316)		B22 SH SS6 240	N/A		FS-200-SS-ST6-20	FS12158-20-SS(316)	H-132-OS-SS(316) X 20	1012 SS316 (20)
G582LS1SS(316)		B22 S SS6 120	N/A		FS-200-SL-ST6-10		H-132-OS3-SS(316) X 10	1031 SS316 (10)
G582LS2SS(316)		B22 S SS6 240	N/A		FS-200-SL-ST6-20		H-132-OS3-SS(316) X 20	1032 SS316 (20)
G582A1SS(316)		B22A SS6 120	N/A		FS-201-ST6-10		H-132-A-SS(316) X 10	1001A SS316 (10)
G582A2SS(316)		B22A SS6 240	N/A		FS-201-ST6-20		H-132-A-SS(316) X 20	1002A SS316 (20)
G582AOS1(316)		B22A SHA SS6 120	N/A			FS12158BB-10SS(316)		1011A SS316 (10)
G582AOS2(316)		B22A SHA SS6 240	N/A			FS12158BB-10-SS(316)		1012A SS316 (20)
G582K01SS(316)		B22 K06 SS6 120	N/A		FS-200-KO-ST6-10		H-132-KO-SS(316) X 10	1041 SS316 (10)
G582K02SS(316)		B22 K06 SS6 240	N/A		FS-200-KO-ST6-20		H-132-KO-SS(316) X 20	1042 SS316 (20)
PVC Coated (Galvanized or Black)								
G5821PVC		N/A	N/A		N/A	N/A		N/A
G5822PVC		N/A	N/A		N/A	N/A		N/A
G582H1PVC		N/A	N/A		N/A	N/A		N/A
G582H2PVC		N/A	N/A		N/A	N/A		N/A
G5820S1PVC		N/A	N/A		N/A	N/A		N/A
G5820S2PVC		N/A	N/A		N/A	N/A		N/A
G582LS1PVC		N/A	N/A		N/A	N/A		N/A
G582LS2PVC		N/A	N/A		N/A	N/A		N/A
G582A1PVC		N/A	N/A		N/A	N/A		N/A
G582A2PVC		N/A	N/A		N/A	N/A		N/A
G582AOS1PVC		N/A	N/A		N/A	N/A		N/A
G582AOS2PVC		N/A	N/A		N/A	N/A		N/A
G582K01PVC		N/A	N/A		N/A	N/A		N/A
G582K02PVC		N/A	N/A		N/A	N/A		N/A

CROSS REFERENCE

G-STRUT® (GREGORY IND.)	POWER-STRUT (ATKORE)	PUPCO (POWER UTILITY PRODUCTS)	SASCO STRUT (SASCO TUBE & ROLLFORM)	SUPERSTRUT (ABB GROUP/T&B)	UNISTRUT (ATKORE)	VERSABAR (VERSABAR CORP.)	WESANCO (ZSI-FOSTER)
Hot-dipped Galvanized							
G5821HDG	PS 200 10 HG	AS-132-HD (10)	S2HG (10)	A1200 10HDG	P1000 10HG	N/A	W-200 HDGAF (10)
G5822HDG	PS 200 20 HG	AS-132-HD (20)	S2HG (20)	A1200 20HDG	P1000 20HG	N/A	W-200 HDGAF (20)
G582H1HDG	PS 200 H 10 HG	AS-132-RS-HD (10)	S2H12HG (10)	A1200-H 10HDG	P1000 HS 10HG	N/A	W-200-H-HDGAF (10)
G582H2HDG	PS 200 H 20 HG	AS-132-RS-HD (20)	S2H12HG (20)	A1200-H 20HDG	P1000 HS 20HG	N/A	W-200-H-HDGAF (20)
G582OS1HDG	PS 200 EH 10 HG	AS-132-OS-HD (10)	S2SL2HG (10)	A1200-HS 10HDG	P1000 T 10HG	N/A	W-200-SS HDGAF (10)
G582OS2HDG	PS 200 EH 20 HG	AS-132-OS-HD (20)	S2SL2HG (20)	A1200-HS 20HDG	P1000 T 20HG	N/A	W-200-SS HDGAF (20)
G582LS1HDG	PS 200 S 10 HG	AS-132-SL-HD (10)	S2SL4HG (10)	A1200-S 10HDG	P1000 SL 10HG	N/A	W-200-SL HDGAF (10)
G582LS2HDG	PS 200 S 20 HG	AS-132-SL-HD (20)	S2SL4HG (20)	A1200-S 20HDG	P1000 SL 20HG	N/A	W-200-SL HDGAF (20)
G582A1HDG	PS 200 2T3 10 HG	AS-132A-HD (10)	S2BB-HG (10)	A1202 10HDG	P1001 10HG	N/A	W-201 HDGAF (10)
G582A2HDG	PS 200 2T3 20 HG	AS-132A-HD (20)	S2BB-HG (20)	A1202 20HDG	P1001 20HG	N/A	W-201 HDGAF (20)
G582AOS1HDG	N/A	AS-132A-OS-HD (10)		A1202-HS 10HDG	P1001T 10HG	N/A	W-201-SS HDGAF (10)
G582AOS2HDG	N/A	AS-132A-OS-HD (20)		A1202-HS 20HDG	P1001T 20HG	N/A	W-201-SS HDGAF (20)
G582KO1HDG	PS 200 K06 10 HG	AS-132-KO-HD (10)	S2K06HG (10)	A1200-KO 10HDG	P1000KO 10HG	N/A	W-200-KO HDGAF (10)
G582KO2HDG	PS 200 K06 20 HG	AS-132-KO-HD (20)	S2K06HG (20)	A1200-KO 20HDG	P1000KO 20HG	N/A	W-200-KO HDGAF (20)
Stainless Steel Grade 304							
G5821SS	PS 200 10 SS	AS-132-SS4 (10)			N/A	N/A	N/A
G5822SS	PS 200 20 SS	AS-132-SS4 (20)			N/A	N/A	N/A
G582H1SS	PS 200 H 10 SS	AS-132-RS-SS4 (10)			N/A	N/A	N/A
G582H2SS	PS 200 H 20 SS	AS-132-RS-SS4 (20)			N/A	N/A	N/A
G582OS1SS	PS 200 EH 10 SS	AS-132-OS-SS4 (10)			N/A	N/A	N/A
G582OS2SS	PS 200 EH 20 SS	AS-132-OS-SS4 (20)			N/A	N/A	N/A
G582LS1SS	PS 200 S 10 SS	AS-132-SL-SS4 (10)			N/A	N/A	N/A
G582LS2SS	PS 200 S 20 SS	AS-132-SL-SS4 (20)			N/A	N/A	N/A
G582A1SS	PS 200 2T3 10 SS	AS-132A-SS4 (10)			N/A	N/A	N/A
G582A2SS	PS 200 2T3 20 SS	AS-132A-SS4 (20)			N/A	N/A	N/A
G582AOS1SS	N/A	AS-132A-OS-SS4 (10)			N/A	N/A	N/A
G582AOS2SS	N/A	AS-132A-OS-SS4 (20)			N/A	N/A	N/A
G582KO1SS	PS 200 K06 10 SS	AS-132-KO-SS4 (10)			N/A	N/A	N/A
G582KO2SS	PS 200 K06 20 SS	AS-132-KO-SS4 (20)			N/A	N/A	N/A
Stainless Steel Grade 316							
G5821SS(316)	PS 200 10 SS(316)	AS-132-SS6 (10)			N/A	N/A	N/A
G5822SS(316)	PS 200 20 SS(316)	AS-132-SS6 (20)			N/A	N/A	N/A
G582H1SS(316)	PS 200 H 10 SS(316)	AS-132-RS-SS6 (10)			N/A	N/A	N/A
G582H2SS(316)	PS 200 H 20 SS(316)	AS-132-RS-SS6 (20)			N/A	N/A	N/A
G582OS1SS(316)	PS 200 EH 10 SS(316)	AS-132-OS-SS6 (10)			N/A	N/A	N/A
G582OS2SS(316)	PS 200 EH 20 SS(316)	AS-132-OS-SS6 (20)			N/A	N/A	N/A
G582LS1SS(316)	PS 200 S 10 SS(316)	AS-132-SL-SS6 (10)			N/A	N/A	N/A
G582LS2SS(316)	PS 200 S 20 SS(316)	AS-132-SL-SS6 (20)			N/A	N/A	N/A
G582A1SS(316)	PS 200 2T3 10 SS(316)	AS-132A-SS6 (10)			N/A	N/A	N/A
G582A2SS(316)	PS 200 2T3 20 SS(316)	AS-132A-SS6 (20)			N/A	N/A	N/A
G582AOS1(316)	N/A	AS-132A-OS-SS6 (10)			N/A	N/A	N/A
G582AOS2(316)	N/A	AS-132A-OS-SS6 (20)			N/A	N/A	N/A
G582KO1SS(316)	PS 200 K06 10 SS(316)	AS-132-KO-SS6 (10)			N/A	N/A	N/A
G582KO2SS(316)	PS 200 K06 20 SS(316)	AS-132-KO-SS6 (20)			N/A	N/A	N/A
PVC Coated (Galvanized or Black)							
G5821PVC	N/A	AS-132-PVC (10)		A1200 10PVC	N/A	N/A	
G5822PVC	N/A	AS-132-PVC (20)		A1200 20PVC	N/A	N/A	
G582H1PVC	N/A	AS-132-RS-PVC (10)		A1200H 10PVC	N/A	N/A	
G582H2PVC	N/A	AS-132-RS-PVC (20)		A1200H 20PVC	N/A	N/A	
G582OS1PVC	N/A	AS-132-OS-PVC (10)		A1200HS 10PVC	N/A	N/A	
G582OS2PVC	N/A	AS-132-OS-PVC (20)		A1200HS 20PVC	N/A	N/A	
G582LS1PVC	N/A	AS-132-SL-PVC (10)		A1200LS 10PVC	N/A	N/A	
G582LS2PVC	N/A	AS-132-SL-PVC (20)		A1200LS 20PVC	N/A	N/A	
G582A1PVC	N/A	AS-132A-PVC (10)		A1202 10PVC	N/A	N/A	
G582A2PVC	N/A	AS-132A-PVC (20)		A1202 20PVC	N/A	N/A	
G582AOS1PVC	N/A	AS-132A-OS-PVC (10)		A1202HS 10PVC	N/A	N/A	
G582AOS2PVC	N/A	AS-132A-OS-PVC (20)		A1202HS 20PVC	N/A	N/A	
G582KO1PVC	N/A	AS-132-KO-PVC (10)		A1200KO 10PVC	N/A	N/A	
G582KO2PVC	N/A	AS-132-KO-PVC (20)		A1200KO 20PVC	N/A	N/A	

G-STRUT® (GREGORY IND.)	ANVIL-STRUT (ANVIL INTERNATIONAL)	B-LINE (EATON)	ELITE STRUT (ELITE COMPONENTS)	ERICO/ERISTRUT (NVENT)	FLEX-STRUT (FLEX STRUT)	FLORIDA STRUT (ZSI-FOSTER)	H-STRUT (HAYDON CORP.)	PHD (PHD MFG.)
Pre-Galvanized - G-584 - 1-5/8" x 1-5/8								
G5841	AS 210-PG 10	B24 GALV 120	N/A	A14PG10	FS-210-PG-10		H-134-PG X 10	1101 PG (20)
G5842	AS 210-PG 20	B24 GALV 240	N/A	A14PG20	FS-210-PG-20		H-134-PG X 20	1102 PG (20)
G584H1	AS 210H-PG 10	B24 H17/8 GALV 120	N/A		FS-210-H-PG-10	FS14158-H-10-PG	H-134-RS-PG X 10	1121 PG (20)
G584H2	AS 210H-PG 20	B24 H17/8 GALV 240	N/A		FS-210-H-PG-20	FS14158-H-20-PG	H-134-RS-PG X 20	1122 PG (20)
G5840S1	AS 210EH-PG 10	B24 SH GALV 120	ES A14 UST008	A14HS1000PG	FS-210-SS-PG-10	FS14158-10-PG	H-134-OS-PG X 10	1111 PG (20)
G5840S2	AS 210EH-PG 20	B24 SH GALV 240	ES A14 UST006	A14HS2000PG	FS-210-SS-PG-20	FS14158-20-PG	H-134-OS-PG X 20	1112 PG (20)
G584LS1	AS 210S-PG 10	B24 S GALV 120	N/A		FS-210-SL-PG-10		H-134-OS3-PG X 10	1131 PG (20)
G584LS2	AS 210S-PG 20	B24 S GALV 240	N/A		FS-210-SL-PG-20		H-134-OS3-PG X 20	1132 PG (20)
G584A1	AS 210BTB-PG 10	B24A GALV 120	N/A		FS-211-PG-10		H-134-A-PG X 10	1101A PG (20)
G584A2	AS 210BTB-PG 20	B24A GALV 240	N/A		FS-211-PG-20		H-134-A-PG X 20	1102A PG (20)
G584AOS1			N/A			FS14158BB-10-PG		1111A PG (20)
G584AOS2			N/A			FS14158BB-20-PG		1112A PG (20)
G584K01	AS 210KO-PG 10	B24 K06 GALV 120	N/A		FS-210-KO-PG-10		H-134-KO-PG X 10	1141 PG (20)
G584K02	AS 210KO-PG 20	B24 K06 GALV 240	N/A		FS-210-KO-PG-20		H-134-KO-PG X 20	1142 PG (20)
Green								
G5841POP	AS 210-GR 10	B24 GRN 120	N/A	A14000GN	FS-210-GR-10	N/A	H-134-GR X 10	N/A
G5842POP	AS 210-GR 20	B24 GRN 240	N/A	A142000GN	FS-210-GR-20	N/A	H-134-GR X 20	N/A
G584H1POP	AS 210H-GR 10	B24 H17/8 GRN 120	N/A		FS-210-H-GR-10	N/A	H-134-RS-GR X 10	N/A
G584H2POP	AS 210H-GR 20	B24 H17/8 GRN 240	N/A		FS-210-H-GR-20	N/A	H-134-RS-GR X 20	N/A
G5840S1POP	AS 210EH-GR 10	B24 SH GRN 120	ES A14 UST004	A14HS1000GN	FS-210-SS-GR-10	N/A	H-134-OS-GR X 10	N/A
G5840S2POP	AS 210EH-GR 20	B24 SH GRN 240	ES A14 UST007	A14HS2000GN	FS-210-SS-GR-20	N/A	H-134-OS-GR X 20	N/A
G584LS1POP	AS 210S-GR 10	B24 S GRN 120	N/A		FS-210-SL-GR-10	N/A	H-134-OS3-GR X 10	N/A
G584LS2POP	AS 210S-GR 20	B24 S GRN 240	N/A		FS-210-SL-GR-20	N/A	H-134-OS3-GR X 20	N/A
G584A1POP	AS 210BTB-GR 10	B24A GRN 120	N/A		FS-211-GR-10	N/A	H-134-A-GR X 10	N/A
G584A2POP	AS 210BTB-GR 20	B24A GRN 240	N/A		FS-211-GR-20	N/A	H-134-A-GR X 20	N/A
G584AOS1POP			N/A			N/A		N/A
G584AOS2POP			N/A			N/A		N/A
G584K01POP	AS 210KO-GR 10	B24 K06 GRN 120	N/A		FS-210-KO-GR-10	N/A	H-134-KO-GR X 10	N/A
G584K02POP	AS 210KO-GR 20	B24 K06 GRN 240	N/A		FS-210-KO-GR-20	N/A	H-134-KO-GR X 20	N/A
Yellow Zinc Dichromate								
G5841YZ			N/A		N/A	N/A		N/A
G5842YZ			N/A		N/A	N/A		N/A
G584H1YZ			N/A		N/A	N/A		N/A
G584H2YZ			N/A		N/A	N/A		N/A
G5840S1YZ			N/A		N/A	N/A		N/A
G5840S2YZ			N/A		N/A	N/A		N/A
G584LS1YZ			N/A		N/A	N/A		N/A
G584LS2YZ			N/A		N/A	N/A		N/A
G584A1YZ			N/A		N/A	N/A		N/A
G584A2YZ			N/A		N/A	N/A		N/A
G584AOS1YZ			N/A		N/A	N/A		N/A
G584AOS2YZ			N/A		N/A	N/A		N/A
G584K01YZ			N/A		N/A	N/A		N/A
G584K02YZ			N/A		N/A	N/A		N/A
Galvannealed (WIZcoat™)								
G5841GN	N/A	N/A	N/A	N/A	N/A	N/A	N/A	N/A
G5842GN	N/A	N/A	N/A	N/A	N/A	N/A	N/A	N/A
G584H1GN	N/A	N/A	N/A	N/A	N/A	N/A	N/A	N/A
G584H2GN	N/A	N/A	N/A	N/A	N/A	N/A	N/A	N/A
G5840S1GN	N/A	N/A	N/A	N/A	N/A	N/A	N/A	N/A
G5840S2GN	N/A	N/A	N/A	N/A	N/A	N/A	N/A	N/A
G584LS1GN	N/A	N/A	N/A	N/A	N/A	N/A	N/A	N/A
G584LS2GN	N/A	N/A	N/A	N/A	N/A	N/A	N/A	N/A
G584A1GN	N/A	N/A	N/A	N/A	N/A	N/A	N/A	N/A
G584A2GN	N/A	N/A	N/A	N/A	N/A	N/A	N/A	N/A
G584AOS1GN	N/A	N/A	N/A	N/A	N/A	N/A	N/A	N/A
G584AOS2GN	N/A	N/A	N/A	N/A	N/A	N/A	N/A	N/A
G584K01GN	N/A	N/A	N/A	N/A	N/A	N/A	N/A	N/A
G584K02GN	N/A	N/A	N/A	N/A	N/A	N/A	N/A	N/A

CROSS REFERENCE

G-STRUT® (GREGORY IND.)	POWER-STRUT (ATKORE)	PUPCO (POWER UTILITY PRODUCTS)	SASCO STRUT (SASCO TUBE & ROLLFORM)	SUPERSTRUT (ABB GROUP/T&B)	UNISTRUT (ATKORE)	VERSABAR (VERSABAR CORP.)	WESANCO (ZSI-FOSTER)
Pre-Galvanized - G-584 - 1-5/8" x 1-5/8							
G5841	PS 210 10 PG	AS-134-PG (10)	S4G (10)	A1400 10PG	N/A	VA-2 EG (10)	W-210 PRE-GALV (10)
G5842	PS 210 20 PG	AS-134-PG (20)	S4G (20)	A1400 20PG	N/A	VA-2 EG (20)	W-210 PRE-GALV (20)
G584H1	PS 210 H 10 PG	AS-134-RS-PG (10)	S4H112G (10)	A1400H 10PG	N/A	VA-2P1.87 EG (10)	W-210-H PRE-GALV (10)
G584H2	PS 210 H 20 PG	AS-134-RS-PG (20)	S4H112G (20)	A1400H 20PG	N/A	VA-2P1.87 EG (20)	W-210-H PRE-GALV (20)
G584OS1	PS 210 EH 10 PG	AS-134-OS-PG (10)	S4SL2G (10)	A1400HS 10PG	N/A	VA-2PLH EG (10)	W-210-SS PRE-GALV (10)
G584OS2	PS 210 EH 20 PG	AS-134-OS-PG (20)	S4SL2G (20)	A1400HS 20PG	N/A	VA-2PLH EG (20)	W-210-SS PRE-GALV (20)
G584LS1	PS 210 S 10 PG	AS-134-SL-PG (10)	S4SL4G (10)	A1400LS 10PG	N/A	VA-2P3S EG (10)	W-210-SL PRE-GALV (10)
G584LS2	PS 210 S 20 PG	AS-134-SL-PG (20)	S4SL4G (20)	A1400LS 20PG	N/A	VA-2P3S EG (20)	W-210-SL PRE-GALV (20)
G584A1	PS 210 2T3 10 PG	AS-134A-PG (10)	S4BB-G (10)	A1402 10PG	N/A	VA-2201 EG (10)	W-211 PRE-GALV (10)
G584A2	PS 210 2T3 20 PG	AS-134A-PG (20)	S4BB-G (20)	A1402 20PG	N/A	VA-2201 EG (20)	W-211 PRE-GALV (20)
G584AOS1	N/A	AS-134A-OS-PG (10)		A1402HS 10PG	N/A	VA-2201PLH EG (10)	W-211-SS PRE-GALV (10)
G584AOS2	N/A	AS-134A-OS-PG (20)		A1402HS 20PG	N/A	VA-2201PLH EG (20)	W-211-SS PRE-GALV (20)
G584KO1	PS 210 K06 10 PG	AS-134-KO-PG (10)	S4K06G (10)	A1400KO 10PG	N/A	VA-2K06 EG (10)	W-210-KO PRE-GALV (10)
G584KO2	PS 210 K06 20 PG	AS-134-KO-PG (20)	S4K06G (20)	A1400KO 20PG	N/A	VA-2K06 EG (20)	W-210-KO PRE-GALV (20)
Green							
G5841POP	PS 210 10 GR	AS-134-GR (10)		A1400 10GR	N/A	VA-2 GR (10)	W-210 GREEN (10)
G5842POP	PS 210 20 GR	AS-134-GR (20)		A1400 20GR	N/A	VA-2 GR (20)	W-210 GREEN (20)
G584H1POP	PS 210 H 10 GR	AS-134-RS-GR (10)		A1400H 10GR	N/A	VA-2P1.87 GR (10)	W-210-H GREEN (10)
G584H2POP	PS 210 H 20 GR	AS-134-RS-GR (20)		A1400H 20GR	N/A	VA-2P1.87 GR (20)	W-210-H GREEN (20)
G584OS1POP	PS 210 EH 10 GR	AS-134-OS-GR (10)		A1400HS 10GR	N/A	VA-2PLH GR (10)	W-210-SS GREEN (10)
G584OS2POP	PS 210 EH 20 GR	AS-134-OS-GR (20)		A1400HS 20GR	N/A	VA-2PLH GR (20)	W-210-SS GREEN (20)
G584LS1POP	PS 210 S 10 GR	AS-134-SL-GR (10)		A1400LS 10GR	N/A	VA-2P3S GR (10)	W-210-SL GREEN (10)
G584LS2POP	PS 210 S 20 GR	AS-134-SL-GR (20)		A1400LS 20GR	N/A	VA-2P3S GR (20)	W-210-SL GREEN (20)
G584A1POP	PS 210 2T3 10 GR	AS-134A-GR (10)		A1400-2 10GR	N/A	VA-2201 GR (10)	W-211 GREEN (10)
G584A2POP	PS 210 2T3 20 GR	AS-134A-GR (20)		A1400-2 20GR	N/A	VA-2201 GR (20)	W-211 GREEN (20)
G584AOS1POP	N/A	AS-134A-OS-GR (10)		A1400-2HS 10GR	N/A	VA-2201PLH GR (10)	W-211-SS GREEN (10)
G584AOS2POP	N/A	AS-134A-OS-GR (20)		A1400-2HS 20GR	N/A	VA-2201PLH GR (20)	W-211-SS GREEN (20)
G584KO1POP	PS 210 K06 10 GR	AS-134-KO-GR (10)		A1400KO 10GR	N/A	VA-2K06 GR (10)	W-210-KO GREEN (10)
G584KO2POP	PS 210 K06 20 GR	AS-134-KO-GR (20)		A1400KO 20GR	N/A	VA-2K06 GR (20)	W-210-KO GREEN (20)
Yellow Zinc Dichromate							
G5841YZ	PS 210 10 ZD	AS-134-GD (10)			N/A	N/A	
G5842YZ	PS 210 20 ZD	AS-134-GD (20)			N/A	N/A	
G584H1YZ	PS 210 H 10 ZD	AS-134-RS-GD (10)			N/A	N/A	
G584H2YZ	PS 210 H 20 ZD	AS-134-RS-GD (20)			N/A	N/A	
G584OS1YZ	PS 210 EH 10 ZD	AS-134-OS-GD (10)			N/A	N/A	
G584OS2YZ	PS 210 EH 20 ZD	AS-134-OS-GD (20)			N/A	N/A	
G584LS1YZ	PS 210 S 10 ZD	AS-134-SL-GD (10)			N/A	N/A	
G584LS2YZ	PS 210 S 20 ZD	AS-134-SL-GD (20)			N/A	N/A	
G584A1YZ	PS 210 2T3 10 ZD	AS-134A-GD (10)			N/A	N/A	
G584A2YZ	PS 210 2T3 20 ZD	AS-134A-GD (20)			N/A	N/A	
G584AOS1YZ	N/A	AS-134A-OS-GD (10)			N/A	N/A	
G584AOS2YZ	N/A	AS-134A-OS-GD (20)			N/A	N/A	
G584KO1YZ	PS 210 K06 10 ZD	AS-134-KO-GD (10)			N/A	N/A	
G584KO2YZ	PS 210 K06 20 ZD	AS-134-KO-GD (20)			N/A	N/A	
Galvannealed (WIZcoat™)							
G5841GN	N/A	N/A	N/A	N/A	N/A	N/A	N/A
G5842GN	N/A	N/A	N/A	N/A	N/A	N/A	N/A
G584H1GN	N/A	N/A	N/A	N/A	N/A	N/A	N/A
G584H2GN	N/A	N/A	N/A	N/A	N/A	N/A	N/A
G584OS1GN	N/A	N/A	N/A	N/A	N/A	N/A	N/A
G584OS2GN	N/A	N/A	N/A	N/A	N/A	N/A	N/A
G584LS1GN	N/A	N/A	N/A	N/A	N/A	N/A	N/A
G584LS2GN	N/A	N/A	N/A	N/A	N/A	N/A	N/A
G584A1GN	N/A	N/A	N/A	N/A	N/A	N/A	N/A
G584A2GN	N/A	N/A	N/A	N/A	N/A	N/A	N/A
G584AOS1GN	N/A	N/A	N/A	N/A	N/A	N/A	N/A
G584AOS2GN	N/A	N/A	N/A	N/A	N/A	N/A	N/A
G584KO1GN	N/A	N/A	N/A	N/A	N/A	N/A	N/A
G584KO2GN	N/A	N/A	N/A	N/A	N/A	N/A	N/A

G-STRUT® (GREGORY IND.)	ANVIL-STRUT (ANVIL INTERNATIONAL)	B-LINE (EATON)	ELITE STRUT (ELITE COMPONENTS)	ERICO/ERISTRUT (NVENT)	FLEX-STRUT (FLEX STRUT)	FLORIDA STRUT (ZSI-FOSTER)	H-STRUT (HAYDON CORP.)	PHD (PHD MFG.)
Plain, Pickled, & Oiled								
G5841PO	AS 210-PL 10	B24 PLN 120	N/A	N/A	FS-210-PL-10		H-134-PL X 10	1101 PL (10)
G5842PO	AS 210-PL 20	B24 PLN 240	N/A	N/A	FS-210-PL-20		H-134-PL X 20	1102 PL (20)
G584H1PO	AS 210H-PL 10	B24 H17/8 PLN 120	N/A	N/A	FS-210-H-PL-10	FS14158-H-10-PL	H-134-RS-PL X 10	1121 PL (10)
G584H2PO	AS 210H-PL 20	B24 H17/8 PLN 240	N/A	N/A	FS-210-H-PL-20	FS14158-H-20-PL	H-134-RS-PL X 20	1122 PL (20)
G584OS1PO	AS 210EH-PL 10	B24 SH PLN 120	N/A	N/A	FS-210-SS-PL-10	FS14158-10-PL	H-134-OS-PL X 10	1111 PL (10)
G584OS2PO	AS 210EH-PL 20	B24 SH PLN 240	N/A	N/A	FS-210-SS-PL-20	FS14158-20-PL	H-134-OS-PL X 20	1112 PL (20)
G584LS1PO	AS 210S-PL 10	B24 S PLN 120	N/A	N/A	FS-210-SL-PL-10		H-134-OS3-PL X 10	1131 PL (10)
G584LS2PO	AS 210S-PL 20	B24 S PLN 240	N/A	N/A	FS-210-SL-PL-20		H-134-OS3-PL X 20	1132 PL (20)
G584A1PO	AS 210BTB-PL 10	B24A PLN 120	N/A	N/A	FS-211-PL-10		H-134-A-PL X 10	1101A PL (10)
G584A2PO	AS 210BTB-PL 20	B24A PLN 240	N/A	N/A	FS-211-PL-20		H-134-A-PL X 20	1102A PL (20)
G584AOS1PO			N/A	N/A		FS14158BB-10-PL		1111A PL (10)
G584AOS2PO		N/A	N/A	N/A	FS14158BB-20-PL			1112A PL (20)
G584K01PO	AS 210KO-PL 10	B24 K06 PLN 120	N/A	N/A	FS-210-KO-PL-10			1141 PL (10)
G584K02PO	AS 210KO-PL 20	B24 K06 PLN 240	N/A	N/A	FS-210-KO-PL-20		H-134-KO-PL X 20	1142 PL (20)
Hot-dipped Galvanized								
G5841HDG		B24 HDG 120	N/A	N/A	N/A		H-134-HDG X 10	1101 HD (10)
G5842HDG		B24 HDG 240	N/A	N/A	N/A		H-134-HDG X 20	1102 HD (20)
G584H1HDG		B24 H17/8 HDG 120	N/A	N/A	N/A	FS14158-H-10-HD	H-134-RS-HDG X 10	1121 HD (10)
G584H2HDG		B24 H17/8 HDG 240	N/A	N/A	N/A	FS14158-H-20-HD	H-134-RS-HDG X 20	1122 HD (20)
G584OS1HDG		B24 SH HDG 120	N/A	N/A	N/A	FS14158-10-HD	H-134-OS-HDG X 10	1111 HD (10)
G584OS2HDG		B24 SH HDG 240	N/A	N/A	N/A	FS14158-20-HD	H-134-OS-HDG X 20	1112 HD (20)
G584LS1HDG		B24 S HDG 120	N/A	N/A	N/A		H-134-OS3-HDG X 10	1131 HD (10)
G584LS2HDG		B24 S HDG 240	N/A	N/A	N/A		H-134-OS3-HDG X 20	1132 HD (20)
G584A1HDG		B24A HDG 120	N/A	N/A	N/A		H-134-A-HDG X 10	1101A HD (10)
G584A2HDG		B24A HDG 240	N/A	N/A	N/A		H-134-A-HDG X 20	1102A HD (20)
G584AOS1HDG			N/A	N/A	N/A	FS14158BB-10-HD		1111A HD (10)
G584AOS2HDG			N/A	N/A	N/A	FS14158BB-20-HD		1112A HD (20)
G584K01HDG		B24 K06 HDG 120	N/A	N/A	N/A		H-134-KO-HDG X 10	1141 HD (10)
G584K02HDG		B24 K06 HDG 240	N/A	N/A	N/A		H-134-KO-HDG X 20	1142 HD (20)
Aluminum								
G5841AL (N/A)		B24 AL 120	N/A	N/A	N/A			1101 AL (10)
G5842AL (N/A)		B24 AL 240	N/A	N/A	N/A			1102 AL (20)
G584H1AL (N/A)		B24 H17/8 AL 120	N/A	N/A	N/A	FS14158-H-10-ALUMINUM		1121 AL (10)
G584H2AL (N/A)		B24 H17/8 AL 240	N/A	N/A	N/A	FS14158-H-10-ALUMINUM		1122 AL (20)
G584OS1AL (N/A)		B24 SH AL 120	N/A	N/A	N/A	FS14158-10-ALUMINUM		1111 AL (10)
G584OS2AL (N/A)		B24 SH AL 240	N/A	N/A	N/A	FS14158-20-ALUMINUM		1112 AL (20)
G584LS1AL (N/A)		B24 S AL 120	N/A	N/A	N/A			1131 AL (10)
G584LS2AL (N/A)		B24 S AL 240	N/A	N/A	N/A			1132 AL (20)
G584A1AL (N/A)		B24A AL 120	N/A	N/A	N/A			1101A AL (10)
G584A2AL (N/A)		B24A AL 240	N/A	N/A	N/A			1102A AL (20)
G584AOS1AL (N/A)			N/A	N/A	N/A	FS14158BB-10-ALUMINUM		1111A AL (10)
G584AOS2AL (N/A)			N/A	N/A	N/A	FS14158BB-20-ALUMINUM		1112A AL (20)
G584K01AL (N/A)		B24 K06 AL 120	N/A	N/A	N/A			1141 AL (10)
G584K02AL (N/A)		B24 K06 AL 240	N/A	N/A	N/A			1142 AL (20)
PVC Coated (Galvanized or Black)								
G5841PVC		N/A	N/A	N/A	N/A	N/A		N/A
G5842PVC		N/A	N/A	N/A	N/A	N/A		N/A
G584H1PVC		N/A	N/A	N/A	N/A	N/A		N/A
G584H2PVC		N/A	N/A	N/A	N/A	N/A		N/A
G584OS1PVC		N/A	N/A	N/A	N/A	N/A		N/A
G584OS2PVC		N/A	N/A	N/A	N/A	N/A		N/A
G584LS1PVC		N/A	N/A	N/A	N/A	N/A		N/A
G584LS2PVC		N/A	N/A	N/A	N/A	N/A		N/A
G584A1PVC		N/A	N/A	N/A	N/A	N/A		N/A
G584A2PVC		N/A	N/A	N/A	N/A	N/A		N/A
G584AOS1PVC		N/A	N/A	N/A	N/A	N/A		N/A
G584AOS2PVC		N/A	N/A	N/A	N/A	N/A		N/A
G584K01PVC		N/A	N/A	N/A	N/A	N/A		N/A
G584K02PVC		N/A	N/A	N/A	N/A	N/A		N/A
Pre-Galvanized - G-382 - 1-3/8" x 1-5/8"								
G3821	AS 300-PG 10	B32 GALV 120	N/A	B121000PC	FS-300-PG-10	N/A	H-142-PG X 10	1701 PG (10)
G3822	AS 300-PG 20	B32 GALV 240	N/A	B122000PG	FS-300-PG-20	N/A	H-142-PG X 20	1702 PG (20)
G382H1	AS 300H-PG 10	B32 H17/8 GALV 120	N/A		FS-300-H-PG-10	N/A	H-142-RS-PG X 10	1721 PG (10)
G382H2	AS 300H-PG 20	B32 H17/8 GALV 240	N/A		FS-300-H-PG-20	N/A	H-142-RS-PG X 20	1722 PG (20)
G382OS1	AS 300EH-PG 10	B32 SH GALV 120	N/A	B12HS1000PG	FS-300-SS-PG-10	N/A	H-142-OS-PG X 10	1711 PG (10)
G382OS2	AS 300EH-PG 20	B32 SH GALV 240	N/A	B12HS2000PG	FS-300-SS-PG-20	N/A	H-142-OS-PG X 20	1712 PG (20)
G382LS1	AS 300S-PG 10	B32 S GALV 120	N/A		FS-300-SL-PG-10	N/A	H-142-OS3-PG X 10	1731 PG (10)
G382LS2	AS 300S-PG 20	B32 S GALV 240	N/A		FS-300-SL-PG-20	N/A	H-142-OS3-PG X 20	1732 PG (20)
G382A1	AS 300BTB-PG 10	B32A GALV 120	N/A		FS-301-PG-10	N/A	H-142-A-PG X 10	1701A PG (10)
G382A2	AS 300BTB-PG 20	B32A GALV 240	N/A		FS-301-PG-20	N/A	H-142-A-PG X 20	1702A PG (20)
G382AOS1			N/A			N/A		1711A PG (10)
G382AOS2			N/A			N/A		1712A PG (20)
G382K01	AS 300KO-PG 10	B32 K06 GALV 120	N/A		FS-300-KO-PG-10	N/A	H-142-KO-PG X 10	1741 PG (10)
G382K02	AS 300KO-PG 20	B32 K06 GALV 240	N/A		FS-300-KO-PG-20	N/A	H-142-KO-PG X 20	1742 PG (20)

CROSS REFERENCE



G-STRUT® (GREGORY IND.)	POWER-STRUT (ATKORE)	PUPCO (POWER UTILITY PRODUCTS)	SASCO STRUT (SASCO TUBE & ROLLFORM)	SUPERSTRUT (ABB GROUP/T&B)	UNISTRUT (ATKORE)	VERSABAR (VERSABAR CORP.)	WESANCO (ZSI-FOSTER)
Plain, Pickled, & Oiled							
G5841PO	PS 210 10 PL	AS-134-BK (10)	S4P (10)	A1400 10B	N/A	N/A	W-210 PLAIN (10)
G5842PO	PS 210 20 PL	AS-134-BK (20)	S4P (20)	A1400 20B	N/A	N/A	W-210 PLAIN (20)
G584H1PO	PS 210 H 10 PL	AS-134-RS-BK (10)	S4H112P (10)	A1400H 10B	N/A	N/A	W-210-H PLAIN (10)
G584H2PO	PS 210 H 20 PL	AS-134-RS-BK (20)	S4H112P (20)	A1400H 20B	N/A	N/A	W-210-H PLAIN (20)
G584OS1PO	PS 210 EH 10 PL	AS-134-OS-BK (10)	S4SL2P (10)	A1400HS 10B	N/A	N/A	W-210-SS PLAIN (10)
G584OS2PO	PS 210 EH 20 PL	AS-134-OS-BK (20)	S4SL2P (20)	A1400HS 20B	N/A	N/A	W-210-SS PLAIN (20)
G584LS1PO	PS 210 S 10 PL	AS-134-SL-BK (10)	S4SL4P (10)	A1400LS 10B	N/A	N/A	W-210-SL PLAIN (10)
G584LS2PO	PS 210 S 20 PL	AS-134-SL-BK (20)	S4SL4P (20)	A1400LS 20B	N/A	N/A	W-210-SL PLAIN (20)
G584A1PO	PS 210 2T3 10 PL	AS-134A-BK (10)	S4BB-P (10)	A1400-2 10B	N/A	N/A	W-211 PLAIN (10)
G584A2PO	PS 210 2T3 20 PL	AS-134A-BK (20)	S4BB-P (20)	A1400-2 20B	N/A	N/A	W-211 PLAIN (20)
G584AOS1PO	N/A	AS-134A-OS-BK (10)		A1400-2HS 10B	N/A	N/A	W-211-SS PLAIN (10)
G584AOS2PO	N/A	AS-134A-OS-BK (20)		A1400-2HS 20B	N/A	N/A	W-211-SS PLAIN (20)
G584K01PO	PS 210 K06 10 PL	AS-134-KO-BK (10)	S4K06P (10)	A1400K0 10B	N/A	N/A	W-210-KO PLAIN (10)
G584K02PO	PS 210 K06 20 PL	AS-134-KO-BK (20)	S4K06P (20)	A1400K0 20B	N/A	N/A	W-210-KO PLAIN (20)
Hot-dipped Galvanized							
G5841HDG	PS 210 10 HG	AS-134-HD (10)	S4HG (10)	A1400 10HDG	N/A	N/A	W-210 HDGAF (10)
G5842HDG	PS 210 20 HG	AS-134-HD (20)	S4HG (20)	A1400 20HDG	N/A	N/A	W-210 HDGAF (20)
G584H1HDG	PS 210 H 10 HG	AS-134-RS-HD (10)	S4H112HG (10)	A1400H 10HDG	N/A	N/A	W-210-H HDGAF (10)
G584H2HDG	PS 210 H 20 HG	AS-134-RS-HD (20)	S4H112HG (20)	A1400H 20HDG	N/A	N/A	W-210-H HDGAF (20)
G584OS1HDG	PS 210 EH 10 HG	AS-134-OS-HD (10)	S4SL2HG (10)	A1400HS 10HDG	N/A	N/A	W-210-SS HDGAF (10)
G584OS2HDG	PS 210 EH 20 HG	AS-134-OS-HD (20)	S4SL2HG (20)	A1400HS 20HDG	N/A	N/A	W-210-SS HDGAF (20)
G584LS1HDG	PS 210 S 10 HG	AS-134-SL-HD (10)	S4SL4HG (10)	A1400LS 10HDG	N/A	N/A	W-210-SL HDGAF (10)
G584LS2HDG	PS 210 S 20 HG	AS-134-SL-HD (20)	S4SL4HG (20)	A1400LS 20HDG	N/A	N/A	W-210-SL HDGAF (20)
G584A1HDG	PS 210 2T3 10 HG	AS-134A-HD (10)	S4BB-HG (10)	A1400-2 10HDG	N/A	N/A	W-211 HDGAF (10)
G584A2HDG	PS 210 2T3 20 HG	AS-134A-HD (20)	S4BB-HG (20)	A1400-2 20HDG	N/A	N/A	W-211 HDGAF (20)
G584AOS1HDG	N/A	AS-134A-OS-HD (10)		A1400-2HS 10HDG	N/A	N/A	W-211-SS HDGAF (10)
G584AOS2HDG	N/A	AS-134A-OS-HD (20)		A1400-2HS 20HDG	N/A	N/A	W-211-SS HDGAF (20)
G584K01HDG	PS 210 K06 10 HG	AS-134-KO-HD (10)	S4K06HG (10)	A1400K0 10HDG	N/A	N/A	W-210-KO HDGAF (10)
G584K02HDG	PS 210 K06 20 HG	AS-134-KO-HD (20)	S4K06HG (20)	A1400K0 20HDG	N/A	N/A	W-210-KO HDGAF (20)
Aluminum							
G5841AL (N/A)	PS 210 10 AL	AS-134-AL (10)	S4AL (10)	A1400 10AL	N/A	N/A	N/A
G5842AL (N/A)	PS 210 20 AL	AS-134-AL (20)	S4AL (20)	A1400 20AL	N/A	N/A	N/A
G584H1AL (N/A)	PS 210 H 10 AL	AS-134-RS-AL (10)	S4H112AL (10)	A1400H 10AL	N/A	N/A	N/A
G584H2AL (N/A)	PS 210 H 20 AL	AS-134-RS-AL (20)	S4H112AL (20)	A1400H 20AL	N/A	N/A	N/A
G584OS1AL (N/A)	PS 210 EH 10 AL	AS-134-OS-AL (10)	S4SL2AL (10)	A1400HS 10AL	N/A	N/A	N/A
G584OS2AL (N/A)	PS 210 EH 20 AL	AS-134-OS-AL (20)	S4SL2AL (20)	A1400HS 20AL	N/A	N/A	N/A
G584LS1AL (N/A)	PS 210 S 10 AL	AS-134-SL-AL (10)	S4SL4AL (10)	A1400LS 10AL	N/A	N/A	N/A
G584LS2AL (N/A)	PS 210 S 20 AL	AS-134-SL-AL (20)	S4SL4AL (20)	A1400LS 20AL	N/A	N/A	N/A
G584A1AL (N/A)	PS 210 2T3 10 AL	AS-134A-AL (10)	S4BB-AL (10)	A1400-2 10AL	N/A	N/A	N/A
G584A2AL (N/A)	PS 210 2T3 20 AL	AS-134A-AL (20)	S4BB-AL (20)	A1400-2 20AL	N/A	N/A	N/A
G584AOS1AL (N/A)	N/A	AS-134A-OS-AL (10)		A1400-2HS 10AL	N/A	N/A	N/A
G584AOS2AL (N/A)	N/A	AS-134A-OS-AL (20)		A1400-2HS 20AL	N/A	N/A	N/A
G584K01AL (N/A)	PS 210 K06 10 AL	AS-134-KO-AL (10)	S4K06AL (10)	A1400K0 10AL	N/A	N/A	N/A
G584K02AL (N/A)	PS 210 K06 20 AL	AS-134-KO-AL (20)	S4K06AL (20)	A1400K0 20AL	N/A	N/A	N/A
PVC Coated (Galvanized or Black)							
G5841PVC	N/A	AS-134-PVC (10)	S4PVC (10)	A1400 10PVC	N/A	N/A	
G5842PVC	N/A	AS-134-PVC (20)	S4PVC (20)	A1400 20PVC	N/A	N/A	
G584H1PVC	N/A	AS-134-RS-PVC (10)	S4H112PVC (10)	A1400H 10PVC	N/A	N/A	
G584H2PVC	N/A	AS-134-RS-PVC (20)	S4H112PVC (20)	A1400H 20PVC	N/A	N/A	
G584OS1PVC	N/A	AS-134-OS-PVC (10)	S4SL2PVC (10)	A1400HS 10PVC	N/A	N/A	
G584OS2PVC	N/A	AS-134-OS-PVC (20)	S4SL2PVC (20)	A1400HS 20PVC	N/A	N/A	
G584LS1PVC	N/A	AS-134-SL-PVC (10)	S4SL4PVC (10)	A1400LS 10PVC	N/A	N/A	
G584LS2PVC	N/A	AS-134-SL-PVC (20)	S4SL4PVC (20)	A1400LS 20PVC	N/A	N/A	
G584A1PVC	N/A	AS-134A-PVC (10)	S4BB-PVC (10)	A1400-2 10PVC	N/A	N/A	
G584A2PVC	N/A	AS-134A-PVC (20)	S4BB-PVC (20)	A1400-2 20PVC	N/A	N/A	
G584AOS1PVC	N/A	AS-134A-OS-PVC (10)		A1400-2HS 10PVC	N/A	N/A	
G584AOS2PVC	N/A	AS-134A-OS-PVC (20)		A1400-2HS 20PVC	N/A	N/A	
G584K01PVC	N/A	AS-134-KO-PVC (10)	S4K06PVC (10)	A1400K0 10PVC	N/A	N/A	
G584K02PVC	N/A	AS-134-KO-PVC (20)	S4K06PVC (20)	A1400K0 20PVC	N/A	N/A	
Pre-Galvanized - G-382 - 1-3/8" x 1-5/8"							
G3821	PS 300 10 PG	AS-142-PG (10)	N/A	C1200 10PG	P3000 10PG	VA-6 EG (10)	W-300 PRE-GALV (10)
G3822	PS 300 20 PG	AS-142-PG (20)	N/A	C1200 20PG	P3000 20PG	VA-6 EG (20)	W-300 PRE-GALV (20)
G382H1	PS 300 H 10 PG	AS-142-RS-PG (10)	N/A	N/A	P3000 HS 10PG	VA-6P1.87 EG (10)	W-300-H PRE-GALV (10)
G382H2	PS 300 H 20 PG	AS-142-RS-PG (20)	N/A	N/A	P3000 HS 20PG	VA-6P1.87 EG (20)	W-300-H PRE-GALV (20)
G382OS1	PS 300 EH 10 PG	AS-142-OS-PG (10)	N/A	C1200HS 10PG	P3000 T 10PG	VA-6PLH EG (10)	W-300-SS PRE-GALV (10)
G382OS2	PS 300 EH 20 PG	AS-142-OS-PG (20)	N/A	C1200HS 20PG	P3000 T 20PG	VA-6PLH EG (20)	W-300-SS PRE-GALV (20)
G382LS1	PS 300 S 10 PG	AS-142-SL-PG (10)	N/A	N/A	P3000 SL 10PG	VA-6P3S EG (10)	W-300-SL PRE-GALV (10)
G382LS2	PS 300 S 20 PG	AS-142-SL-PG (20)	N/A	N/A	P3000 SL 20PG	VA-6P3S EG (20)	W-300-SL PRE-GALV (20)
G382A1	PS 300 2T3 10 PG	AS-142A-PG (10)	N/A	C1200-2 10PG	P3001 10PG	VA-6201 EG (10)	W-301 PRE-GALV (10)
G382A2	PS 300 2T3 20 PG	AS-142A-PG (20)	N/A	C1200-2 20PG	P3001 20PG	VA-6201 EG (20)	W-301 PRE-GALV (20)
G382AOS1	PS 300 2T3 EH 10 PG	AS-142A-OS-PG (10)	N/A	C1200-2HS 10PG	P3001T 10PG	N/A	W-301-SS PRE-GALV (10)
G382AOS2	PS 300 2T3 EH 20 PG	AS-142A-OS-PG (20)	N/A	C1200-2HS 20PG	P3001T 20PG	N/A	W-301-SS PRE-GALV (20)
G382K01	N/A	AS-142-KO-PG (10)	N/A	N/A	P3000 KO 10PG	N/A	W-300-KO PRE-GALV (10)
G382K02	N/A	AS-142-KO-PG (20)	N/A	N/A	P3000 KO 20PG	N/A	W-300-KO PRE-GALV (20)

CROSS REFERENCE



G-STRUT® (GREGORY IND.)	ANVIL-STRUT (ANVIL INTERNATIONAL)	B-LINE (EATON)	ELITE STRUT (ELITE COMPONENTS)	ERICO/ERISTRUT (NVENT)	FLEX-STRUT (FLEX STRUT)	FLORIDA STRUT (ZSI-FOSTER)	H-STRUT (HAYDON CORP.)	PHD (PHD MFG.)
Green								
G3821POP	AS 300-GR 10	B32 GRN 120	N/A	B121000GN	FS-300-GR-10	N/A	H-142-GRN X 10	N/A
G3822POP	AS 300-GR 20	B32 GRN 240	N/A	B122000GRN	FS-300-GR-20	N/A	H-142-GRN X 20	N/A
G382H1POP	AS 300H-GR 10	B32 H17/8 GRN 120	N/A		FS-300-H-GR-10	N/A	H-142-RS-GRN X 10	N/A
G382H2POP	AS 300H-GR 20	B32 H17/8 GRN 240	N/A		FS-300-H-GR-20	N/A	H-142-RS-GRN X 20	N/A
G382OS1POP	AS 300EH-GR 10	B32 SH GRN 120	N/A	B12HS1000GN	FS-300-SS-GR-10	N/A	H-142-OS-GRN X 10	N/A
G382OS2POP	AS 300EH-GR 20	B32 SH GRN 240	N/A	B12HS2000GN	FS-300-SS-GR-20	N/A	H-142-OS-GRN X 20	N/A
G382LS1POP	AS 300S-GR 10	B32 S GRN 120	N/A		FS-300-SL-GR-10	N/A	H-142-OS3-GRN X 10	N/A
G382LS2POP	AS 300S-GR 20	B32 S GRN 240	N/A		FS-300-SL-GR-20	N/A	H-142-OS3-GRN X 20	N/A
G382A1POP	AS 300BTB-GR 10	B32A GRN 120	N/A		FS-301-GR-10	N/A	H-142-A-GRN X 10	N/A
G382A2POP	AS 300BTB-GR 20	B32A GRN 240	N/A		FS-301-GR-20	N/A	H-142-A-GRN X 20	N/A
G382AOS1POP			N/A			N/A		N/A
G382AOS2POP			N/A			N/A		N/A
G382K01POP	AS 300KO-GR 10	B32 K06 GRN 120	N/A		FS-300-KO-GR-10	N/A	H-142-KO-GRN X 10	N/A
G382K02POP	AS 300KO-GR 20	B32 K06 GRN 240	N/A		FS-300-KO-GR-20	N/A	H-142-KO-GRN X 20	N/A
Yellow Zinc Dichromate								
G3821YZ			N/A		N/A	N/A		N/A
G3822YZ			N/A		N/A	N/A		N/A
G382H1YZ			N/A		N/A	N/A		N/A
G382H2YZ			N/A		N/A	N/A		N/A
G382OS1YZ			N/A		N/A	N/A		N/A
G382OS2YZ			N/A		N/A	N/A		N/A
G382LS1YZ			N/A		N/A	N/A		N/A
G382LS2YZ			N/A		N/A	N/A		N/A
G382A1YZ			N/A		N/A	N/A		N/A
G382A2YZ			N/A		N/A	N/A		N/A
G382AOS1YZ			N/A		N/A	N/A		N/A
G382AOS2YZ			N/A		N/A	N/A		N/A
G382K01YZ			N/A		N/A	N/A		N/A
G382K02YZ			N/A		N/A	N/A		N/A
Galvannealed (WIZcoat™)								
G3821GN	N/A	N/A	N/A	N/A	N/A	N/A	N/A	N/A
G3822GN	N/A	N/A	N/A	N/A	N/A	N/A	N/A	N/A
G382H1GN	N/A	N/A	N/A	N/A	N/A	N/A	N/A	N/A
G382H2GN	N/A	N/A	N/A	N/A	N/A	N/A	N/A	N/A
G382OS1GN	N/A	N/A	N/A	N/A	N/A	N/A	N/A	N/A
G382OS2GN	N/A	N/A	N/A	N/A	N/A	N/A	N/A	N/A
G382LS1GN	N/A	N/A	N/A	N/A	N/A	N/A	N/A	N/A
G382LS2GN	N/A	N/A	N/A	N/A	N/A	N/A	N/A	N/A
G382A1GN	N/A	N/A	N/A	N/A	N/A	N/A	N/A	N/A
G382A2GN	N/A	N/A	N/A	N/A	N/A	N/A	N/A	N/A
G382AOS1GN	N/A	N/A	N/A	N/A	N/A	N/A	N/A	N/A
G382AOS2GN	N/A	N/A	N/A	N/A	N/A	N/A	N/A	N/A
G382K01GN	N/A	N/A	N/A	N/A	N/A	N/A	N/A	N/A
G382K02GN	N/A	N/A	N/A	N/A	N/A	N/A	N/A	N/A
Plain, Pickled, and Oiled								
G3821PO	AS 300-PL 10	B32 PLN 120	N/A		FS-300-PL-10	N/A	H-142-PL X 10	1701 PL (10)
G3822PO	AS 300-PL 20	B32 PLN 240	N/A		FS-300-PL-20	N/A	H-142-PL X 20	1702 PL (20)
G382H1PO	AS 300H-PL 10	B32 H17/8 PLN 120	N/A		FS-300-H-PL-10	N/A	H-142-RS-PL X 10	1721 PL (10)
G382H2PO	AS 300H-PL 20	B32 H17/8 PLN 240	N/A		FS-300-H-PL-20	N/A	H-142-RS-PL X 20	1722 PL (20)
G382OS1PO	AS 300EH-PL 10	B32 SH PLN 120	N/A		FS-300-SS-PL-10	N/A	H-142-OS-PL X 10	1711 PL (10)
G382OS2PO	AS 300EH-PL 20	B32 SH PLN 240	N/A		FS-300-SS-PL-20	N/A	H-142-OS-PL X 20	1712 PL (20)
G382LS1PO	AS 300S-PL 10	B32 S PLN 120	N/A		FS-300-SL-PL-10	N/A	H-142-OS3-PL X 10	1731 PL (10)
G382LS2PO	AS 300S-PL 20	B32 S PLN 240	N/A		FS-300-SL-PL-20	N/A	H-142-OS3-PL X 20	1732 PL (20)
G382A1PO	AS 300BTB-PL 10	B32A PLN 120	N/A		FS-301-PL-10	N/A	H-142-A-PL X 10	1701A PL (10)
G382A2PO	AS 300BTB-PL 20	B32A PLN 240	N/A		FS-301-PL-20	N/A	H-142-A-PL X 20	1702A PL (20)
G382AOS1PO			N/A			N/A		1711A PL (10)
G382AOS2PO			N/A			N/A		1712A PL (20)
G382K01PO	AS 300KO-PL 10	B32 K06 PLN 120	N/A		FS-300-KO-PL-10	N/A	H-142-KO-PL X 10	1741 PL (10)
G382K02PO	AS 300KO-PL 20	B32 K06 PLN 240	N/A		FS-300-KO-PL-20	N/A	H-142-KO-PL X 20	1742 PL (20)
Hot-dipped Galvanized								
G3821HDG		B32 HDG 120	N/A		FS-300-HG-10	N/A		1701 HD (10)
G3822HDG		B32 HDG 240	N/A		FS-300-HG-20	N/A		1702 HD (20)
G382H1HDG		B32 H17/8 HDG 120	N/A		FS-300-H-HG-10	N/A		1721 HD (10)
G382H2HDG		B32 H17/8 HDG 240	N/A		FS-300-H-HG-20	N/A		1722 HD (20)
G382OS1HDG		B32 SH HDG 120	N/A		FS-300-SS-HG-10	N/A		1711 HD (10)
G382OS2HDG		B32 SH HDG 240	N/A		FS-300-SS-HG-20	N/A		1712 HD (20)
G382LS1HDG		B32 S HDG 120	N/A		FS-300-SL-HG-10	N/A		1731 HD (10)
G382LS2HDG		B32 S HDG 240	N/A		FS-300-SL-HG-20	N/A		1732 HD (20)
G382A1HDG		B32A HDG 120	N/A		FS-301-HG-10	N/A		1701A HD (10)
G382A2HDG		B32A HDG 240	N/A		FS-301-HG-20	N/A		1702A HD (20)
G382AOS1HDG			N/A			N/A		1711A HD (10)
G382AOS2HDG			N/A			N/A		1712A HD (20)
G382K01HDG		B32 K06 HDG 120	N/A		FS-300-KO-HG-10	N/A		1741 HD (10)
G382K02HDG		B32 K06 HDG 240	N/A		FS-300-KO-HG-20	N/A		1742 HD (20)

G-STRUT® (GREGORY IND.)	POWER-STRUT (ATKORE)	PUPCO (POWER UTILITY PRODUCTS)	SASCO STRUT (SASCO TUBE & ROLLFORM)	SUPERSTRUT (ABB GROUP/T&B)	UNISTRUT (ATKORE)	VERSABAR (VERSABAR CORP.)	WESANCO (ZSI-FOSTER)
Green							
G3821POP	PS 300 10 GR	AS-142-GR (10)	N/A	C1200 10GR	P3000 10GR	N/A	W-300 GREEN (10)
G3822POP	PS 300 20 GR	AS-142-GR (20)	N/A	C1200 20GR	P3000 20GR	N/A	W-300 GREEN (20)
G382H1POP	PS 300 H 10 GR	AS-142-RS-GR (10)	N/A	N/A	P3000 HS 10GR	N/A	W-300-H GREEN (10)
G382H2POP	PS 300 H 20 GR	AS-142-RS-GR (20)	N/A	N/A	P3000 HS 20GR	N/A	W-300-H GREEN (20)
G382OS1POP	PS 300 EH 10 GR	AS-142-OS-GR (10)	N/A	C1200HS 10GR	P3000 T 10GR	N/A	W-300-SS GREEN (10)
G382OS2POP	PS 300 EH 20 GR	AS-142-OS-GR (20)	N/A	C1200HS 20GR	P3000 T 20GR	N/A	W-300-SS GREEN (20)
G382LS1POP	PS 300 S 10 GR	AS-142-SL-GR (10)	N/A	N/A	P3000 SL 10GR	N/A	W-300-SL GREEN (10)
G382LS2POP	PS 300 S 20 GR	AS-142-SL-GR (20)	N/A	N/A	P3000 SL 20GR	N/A	W-300-SL GREEN (20)
G382A1POP	PS 300 2T3 10 GR	AS-142A-GR (10)	N/A	C1200-2 10GR	P3001 10GR	N/A	W-301 GREEN (10)
G382A2POP	PS 300 2T3 20 GR	AS-142A-GR (20)	N/A	C1200-2 20GR	P3001 20GR	N/A	W-301 GREEN (20)
G382AOS1POP	PS 300 2T3 EH 10 GR	AS-142A-OS-GR (10)	N/A	C1200-2HS 10GR	N/A	N/A	W-301-SS GREEN (10)
G382AOS2POP	PS 300 2T3 EH 20 GR	AS-142A-OS-GR (20)	N/A	C1200-2HS 20GR	N/A	N/A	W-301-SS GREEN (20)
G382K01POP	N/A	AS-142-KO-GR (10)	N/A	N/A	P3000 KO 10GR	N/A	W-300-KO GREEN (10)
G382K02POP	N/A	AS-142-KO-GR (20)	N/A	N/A	P3000 KO 20GR	N/A	W-300-KO GREEN (20)
Yellow Zinc Dichromate							
G3821YZ	PS 300 10 ZD	AS-142-GD (10)	N/A		N/A	N/A	
G3822YZ	PS 300 20 ZD	AS-142-GD (20)	N/A		N/A	N/A	
G382H1YZ	PS 300 H 10 ZD	AS-142-RS-GD (10)	N/A		N/A	N/A	
G382H2YZ	PS 300 H 20 ZD	AS-142-RS-GD (20)	N/A		N/A	N/A	
G382OS1YZ	PS 300 EH 10 ZD	AS-142-OS-GD (10)	N/A		N/A	N/A	
G382OS2YZ	PS 300 EH 20 ZD	AS-142-OS-GD (20)	N/A		N/A	N/A	
G382LS1YZ	PS 300 S 10 ZD	AS-142-SL-GD (10)	N/A		N/A	N/A	
G382LS2YZ	PS 300 S 20 ZD	AS-142-SL-GD (20)	N/A		N/A	N/A	
G382A1YZ	PS 300 2T3 10 ZD	AS-142A-GD (10)	N/A		N/A	N/A	
G382A2YZ	PS 300 2T3 20 ZD	AS-142A-GD (20)	N/A		N/A	N/A	
G382AOS1YZ	PS 300 2T3 EH 10 ZD	AS-142A-OS-GD (10)	N/A		N/A	N/A	
G382AOS2YZ	PS 300 2T3 EH 20 ZD	AS-142A-OS-GD (20)	N/A		N/A	N/A	
G382K01YZ	N/A	AS-142-KO-GD (10)	N/A		N/A	N/A	
G382K02YZ	N/A	AS-142-KO-GD (20)	N/A		N/A	N/A	
Galvannealed (WIZcoat™)							
G3821GN	N/A	N/A	N/A	N/A	N/A	N/A	N/A
G3822GN	N/A	N/A	N/A	N/A	N/A	N/A	N/A
G382H1GN	N/A	N/A	N/A	N/A	N/A	N/A	N/A
G382H2GN	N/A	N/A	N/A	N/A	N/A	N/A	N/A
G382OS1GN	N/A	N/A	N/A	N/A	N/A	N/A	N/A
G382OS2GN	N/A	N/A	N/A	N/A	N/A	N/A	N/A
G382LS1GN	N/A	N/A	N/A	N/A	N/A	N/A	N/A
G382LS2GN	N/A	N/A	N/A	N/A	N/A	N/A	N/A
G382A1GN	N/A	N/A	N/A	N/A	N/A	N/A	N/A
G382A2GN	N/A	N/A	N/A	N/A	N/A	N/A	N/A
G382AOS1GN	N/A	N/A	N/A	N/A	N/A	N/A	N/A
G382AOS2GN	N/A	N/A	N/A	N/A	N/A	N/A	N/A
G382K01GN	N/A	N/A	N/A	N/A	N/A	N/A	N/A
G382K02GN	N/A	N/A	N/A	N/A	N/A	N/A	N/A
Plain, Pickled, and Oiled							
G3821PO	PS 300 10 PL	AS-142-BK (10)	N/A	C1200 10B	P3000 10PL	VA-6 HRPO(10)	W-300 PLAIN (10)
G3822PO	PS 300 20 PL	AS-142-BK (20)	N/A	C1200 20B	P3000 20PL	VA-6 HRPO(20)	W-300 PLAIN (20)
G382H1PO	PS 300 H 10 PL	AS-142-RS-BK (10)	N/A	N/A	P3000 HS 10PL	VA-6P1.87 HRPO(10)	W-300-H PLAIN (10)
G382H2PO	PS 300 H 20 PL	AS-142-RS-BK (20)	N/A	N/A	P3000 HS 20PL	VA-6P1.87 HRPO(20)	W-300-H PLAIN (20)
G382OS1PO	PS 300 EH 10 PL	AS-142-OS-BK (10)	N/A	C1200HS 10B	P3000 T 10PL	VA-6PLH HRPO(10)	W-300-SS PLAIN (10)
G382OS2PO	PS 300 EH 20 PL	AS-142-OS-BK (20)	N/A	C1200HS 20B	P3000 T 20PL	VA-6PLH HRPO(20)	W-300-SS PLAIN (20)
G382LS1PO	PS 300 S 10 PL	AS-142-SL-BK (10)	N/A	N/A	P3000 SL 10PL	VA-6P3S HRPO(10)	W-300-SL PLAIN (10)
G382LS2PO	PS 300 S 20 PL	AS-142-SL-BK (20)	N/A	N/A	P3000 SL 20PL	VA-6P3S HRPO(20)	W-300-SL PLAIN (20)
G382A1PO	PS 300 2T3 10 PL	AS-142A-BK (10)	N/A	C1200-2 10B	P3001 10PL	VA-6201 HRPO (10)	W-301 PLAIN (10)
G382A2PO	PS 300 2T3 20 PL	AS-142A-BK (20)	N/A	C1200-2 20B	P3001 20PL	VA-6201 HRPO (10)	W-301 PLAIN (20)
G382AOS1PO	PS 300 2T3 10 PL	AS-142A-OS-BK (10)	N/A	C1200-2HS 10B	N/A	N/A	W-301-SS PLAIN (10)
G382AOS2PO	PS 300 2T3 20 PL	AS-142A-OS-BK (20)	N/A	C1200-2HS 20B	N/A	N/A	W-301-SS PLAIN (20)
G382K01PO	N/A	AS-142-KO-BK (10)	N/A	N/A	P3000 KO 10PL	N/A	W-300-KO PLAIN (10)
G382K02PO	N/A	AS-142-KO-BK (20)	N/A	N/A	P3000 KO 20PL	N/A	W-300-KO PLAIN (20)
Hot-dipped Galvanized							
G3821HDG	PS 300 10 HG	AS-142-HD (10)	N/A	C1200 10HDG	P3000 10HG	N/A	W-300 HDGAF (10)
G3822HDG	PS 300 20 HG	AS-142-HD (20)	N/A	C1200 20HDG	P3000 20HG	N/A	W-300 HDGAF (20)
G382H1HDG	PS 300 H 10 HG	AS-142-RS-HD (10)	N/A	N/A	P3000 HS 10HG	N/A	W-300-H HDGAF (10)
G382H2HDG	PS 300 H 20 HG	AS-142-RS-HD (20)	N/A	N/A	P3000 HS 20HG	N/A	W-300-H HDGAF (20)
G382OS1HDG	PS 300 EH 10 HG	AS-142-OS-HD (10)	N/A	C1200HS 10HDG	P3000 T 10HG	N/A	W-300-SS HDGAF (10)
G382OS2HDG	PS 300 EH 20 HG	AS-142-OS-HD (20)	N/A	C1200HS 20HDG	P3000 T 20HG	N/A	W-300-SS HDGAF (20)
G382LS1HDG	PS 300 S 10 HG	AS-142-SL-HD (10)	N/A	N/A	P3000 SL 10HG	N/A	W-300-SL HDGAF (10)
G382LS2HDG	PS 300 S 20 HG	AS-142-SL-HD (20)	N/A	N/A	P3000 SL 20HG	N/A	W-300-SL HDGAF (20)
G382A1HDG	PS 300 2T3 10 HG	AS-142A-HD (10)	N/A	C1200-2 10HDG	P3001 10HG	N/A	W-301 HDGAF (10)
G382A2HDG	PS 300 2T3 20 HG	AS-142A-HD (20)	N/A	C1200-2 20HDG	P3001 20HG	N/A	W-301 HDGAF (20)
G382AOS1HDG	PS 300 2T3 EH 10 HG	AS-142A-OS-HD (10)	N/A	C1200-2HS 10HDG	N/A	N/A	W-301-SS HDGAF (10)
G382AOS2HDG	PS 300 2T3 EH 20 HG	AS-142A-OS-HD (20)	N/A	C1200-2HS 20HDG	N/A	N/A	W-301-SS HDGAF (20)
G382K01HDG	N/A	AS-142-KO-HD (10)	N/A	N/A	P3000 KO 10HG	N/A	W-300-KO HDGAF (10)
G382K02HDG	N/A	AS-142-KO-HD (20)	N/A	N/A	P3000 KO 20HG	N/A	W-300-KO HDGAF (20)

G-STRUT® (GREGORY IND.)	ANVIL-STRUT (ANVIL INTERNATIONAL)	B-LINE (EATON)	ELITE STRUT (ELITE COMPONENTS)	ERICO/ERISTRUT (NVENT)	FLEX-STRUT (FLEX STRUT)	FLORIDA STRUT (ZSI-FOSTER)	H-STRUT (HAYDON CORP.)	PHD (PHD MFG.)
Stainless Steel (Grade 304) (N/A)								
G3821SS (304) (N/A)		B32 SS4 120	N/A		N/A	N/A	H-142-SS X 10	1701 SS304 (10)
G3822SS (304) (N/A)		B32 SS4 240	N/A		N/A	N/A	H-142-SS X 20	1702 SS304 (20)
G382H1SS (304) (N/A)		B32 H17/8 SS4 120	N/A		N/A	N/A	H-142-RS-SS X 10	1721 SS304 (10)
G382H2SS (304) (N/A)		B32 H17/8 SS4 240	N/A		N/A	N/A	H-142-RS-SS X 20	1722 SS304 (20)
G3820S1SS (304) (N/A)		B32 SH SS4 120	N/A		N/A	N/A	H-142-OS-SS X 10	1711 SS304 (10)
G3820S2SS (304) (N/A)		B32 SH SS4 240	N/A		N/A	N/A	H-142-OS-SS X 20	1712 SS304 (20)
G382L1SS (304) (N/A)		B32 S SS4 120	N/A		N/A	N/A	H-142-OS3-SS X 10	1731 SS304 (10)
G382L2SS (304) (N/A)		B32 S SS4 240	N/A		N/A	N/A	H-142-OS3-SS X 20	1732 SS304 (20)
G382A1SS (304) (N/A)		B32A SS4 120	N/A		N/A	N/A	H-142-A-SS X 10	1701A SS304 (10)
G382A2SS (304) (N/A)		B32A SS4 240	N/A		N/A	N/A	H-142-A-SS X 20	1702A SS304 (20)
G382AOS1SS (304) (N/A)			N/A		N/A	N/A		1711A SS304 (10)
G382AOS2SS (304) (N/A)			N/A		N/A	N/A		1712A SS304 (20)
G382K01SS (304) (N/A)		B32 K06 120	N/A		N/A	N/A	H-142-KO-SS X 10	1741 SS304 (10)
G382K02SS (304) (N/A)		B32 K06 240	N/A		N/A	N/A	H-142-KO-SS X 20	1742 SS304 (20)
Stainless Steel (Grade 316) (N/A)								
G3821SS (316) (N/A)		N/A	N/A		N/A	N/A	H-142-SS(316) X 10	1701 SS316 (10)
G3822SS (316) (N/A)		N/A	N/A		N/A	N/A	H-142-SS(316) X 20	1702 SS316 (20)
G382H1SS (316) (N/A)		N/A	N/A		N/A	N/A	H-142-RS-SS(316) X 10	1721 SS316 (10)
G382H2SS (316) (N/A)		N/A	N/A		N/A	N/A	H-142-RS-SS(316) X 20	1722 SS316 (20)
G3820S1SS (316) (N/A)		N/A	N/A		N/A	N/A	H-142-OS-SS(316) X 10	1711 SS316 (10)
G3820S2SS (316) (N/A)		N/A	N/A		N/A	N/A	H-142-OS-SS(316) X 20	1712 SS316 (20)
G382L1SS (316) (N/A)		N/A	N/A		N/A	N/A	H-142-OS3-SS(316) X 10	1731 SS316 (10)
G382L2SS (316) (N/A)		N/A	N/A		N/A	N/A	H-142-OS3-SS(316) X 20	1732 SS316 (20)
G382A1SS (316) (N/A)		N/A	N/A		N/A	N/A	H-142-A-SS(316) X 10	1701A SS316 (10)
G382A2SS (316) (N/A)		N/A	N/A		N/A	N/A	H-142-A-SS(316) X 20	1702A SS316 (20)
G382AOS1SS (316) (N/A)		N/A	N/A		N/A	N/A		1711A SS316 (10)
G382AOS2SS (316) (N/A)		N/A	N/A		N/A	N/A		1712A SS316 (20)
G382K01SS (316) (N/A)		N/A	N/A		N/A	N/A	H-142-KO-SS(316) X 10	1741 SS316 (10)
G382K02SS (316) (N/A)		N/A	N/A		N/A	N/A	H-142-KO-SS(316) X 20	1742 SS316 (20)
Aluminum Extruded (N/A)								
G3821AL (N/A)		N/A	N/A		N/A	N/A		1701 AL (10)
G3822AL (N/A)		N/A	N/A		N/A	N/A		1702 AL (20)
G382H1AL (N/A)		N/A	N/A		N/A	N/A		1721 AL (10)
G382H2AL (N/A)		N/A	N/A		N/A	N/A		1722 AL (20)
G3820S1AL (N/A)		N/A	N/A		N/A	N/A		1711 AL (10)
G3820S2AL (N/A)		N/A	N/A		N/A	N/A		1712 AL (20)
G382L1AL (N/A)		N/A	N/A		N/A	N/A		1731 AL (10)
G382L2AL (N/A)		N/A	N/A		N/A	N/A		1732 AL (20)
G382A1AL (N/A)		N/A	N/A		N/A	N/A		1701A AL (10)
G382A2AL (N/A)		N/A	N/A		N/A	N/A		1702A AL (20)
G382AOS1AL (N/A)		N/A	N/A		N/A	N/A		1711A AL (10)
G382AOS2AL (N/A)		N/A	N/A		N/A	N/A		1712A AL (20)
G382K01AL (N/A)		N/A	N/A		N/A	N/A		1741 AL (10)
G382K02AL (N/A)		N/A	N/A		N/A	N/A		1742 AL (20)
PVC Coated (Galvanized or Black)								
G3821PVC		N/A	N/A		N/A	N/A		N/A
G3822PVC		N/A	N/A		N/A	N/A		N/A
G382H1PVC		N/A	N/A		N/A	N/A		N/A
G382H2PVC		N/A	N/A		N/A	N/A		N/A
G3820S1PVC		N/A	N/A		N/A	N/A		N/A
G3820S2PVC		N/A	N/A		N/A	N/A		N/A
G382L1PVC		N/A	N/A		N/A	N/A		N/A
G382L2PVC		N/A	N/A		N/A	N/A		N/A
G382A1PVC		N/A	N/A		N/A	N/A		N/A
G382A2PVC		N/A	N/A		N/A	N/A		N/A
G382AOS1PVC		N/A	N/A		N/A	N/A		N/A
G382AOS2PVC		N/A	N/A		N/A	N/A		N/A
G382K01PVC		N/A	N/A		N/A	N/A		N/A
G382K02PVC		N/A	N/A		N/A	N/A		N/A
Pre-Galvanized - G-102 - 1" x 1-5/8"								
G1021	AS 400-PG 10	B42 GALV 120	N/A	N/A	FS-400-PG-10	N/A	H-152-PG X 10	1401 PG (10)
G1022	AS 400-PG 20	B42 GALV 240	N/A	N/A	FS-400-PG-20	N/A	H-152-PG X 20	1402 PG (20)
G102H1	AS 400H-PG 10	B42 H17/8 GALV 120	N/A	N/A	FS-400-H-PG-10	N/A	H-152-RS-PG X 10	1421 PG (10)
G102H2	AS 400H-PG 20	B42 H17/8 GALV 240	N/A	N/A	FS-400-H-PG-20	N/A	H-152-RS-PG X 20	1422 PG (20)
G1020S1	AS 400EH-PG 10	B42 SH GALV 120	N/A	N/A	FS-400-SS-PG-10	N/A	H-152-OS-PG X 10	1411 PG (10)
G1020S2	AS 400EH-PG 20	B42 SH GALV 240	N/A	N/A	FS-400-SS-PG-20	N/A	H-152-OS-PG X 20	1412 PG (20)
G102L1	AS 400S-PG 10	B42 S GALV 120	N/A	N/A	FS-400-SL-PG-10	N/A	H-152-OS3-PG X 10	1431 PG (10)
G102L2	AS 400S-PG 20	B42 S GALV 240	N/A	N/A	FS-400-SL-PG-20	N/A	H-152-OS3-PG X 20	1432 PG (20)
G102A1	AS 400BTB-PG 10	B42A GALV 120	N/A	N/A	FS-401-PG-10	N/A	H-152-A-PG X 10	1401A PG (10)
G102A2	AS 400BTB-PG 20	B42A GALV 240	N/A	N/A	FS-401-PG-20	N/A	H-152-A-PG X 20	1402A PG (20)
G102AOS1			N/A	N/A		N/A		1411A PG (10)
G102AOS2			N/A	N/A		N/A		1412A PG (20)
G102K01	AS 400K0-PG 10	B42 K06 GALV 120	N/A	N/A	FS-400-KO-PG-10	N/A	H-152-KO-PG X 10	1441 PG (10)
G102K02	AS 400K0-PG 20	B42 K06 GALV 240	N/A	N/A	FS-400-KO-PG-20	N/A	H-152-KO-PG X 20	1442 PG (20)

G-STRUT® (GREGORY IND.)	POWER-STRUT (ATKORE)	PUPCO (POWER UTILITY PRODUCTS)	SASCO STRUT (SASCO TUBE & ROLLFORM)	SUPERSTRUT (ABB GROUP/T&B)	UNISTRUT (ATKORE)	VERSABAR (VERSABAR CORP.)	WESANCO (ZSI-FOSTER)
Stainless Steel (Grade 304) (N/A)							
G3821SS (304) (N/A)	PS 300 10 SS	AS-142-SS4 (10)	N/A		N/A	N/A	N/A
G3822SS (304) (N/A)	PS 300 20 SS	AS-142-SS4 (20)	N/A		N/A	N/A	N/A
G382H1SS (304) (N/A)	PS 300 H 10 SS	AS-142-RS-SS4 (10)	N/A		N/A	N/A	N/A
G382H2SS (304) (N/A)	PS 300 H 20 SS	AS-142-RS-SS4 (20)	N/A		N/A	N/A	N/A
G3820S1SS (304) (N/A)	PS 300 EH 10 SS	AS-142-OS-SS4 (10)	N/A		N/A	N/A	N/A
G3820S2SS (304) (N/A)	PS 300 EH 20 SS	AS-142-OS-SS4 (20)	N/A		N/A	N/A	N/A
G382LS1SS (304) (N/A)	PS 300 S 10 SS	AS-142-SL-SS4 (10)	N/A		N/A	N/A	N/A
G382LS2SS (304) (N/A)	PS 300 S 20 SS	AS-142-SL-SS4 (20)	N/A		N/A	N/A	N/A
G382A1SS (304) (N/A)	PS 300 2T3 10 SS	AS-142A-SS4 (10)	N/A		N/A	N/A	N/A
G382A2SS (304) (N/A)	PS 300 2T3 20 SS	AS-142A-SS4 (20)	N/A		N/A	N/A	N/A
G382A0S1SS (304) (N/A)	PS 300 2T3 EH 10 SS	AS-142A-OS-SS4 (10)	N/A		N/A	N/A	N/A
G382A0S2SS (304) (N/A)	PS 300 2T3 EH 20 SS	AS-142A-OS-SS4 (20)	N/A		N/A	N/A	N/A
G382K01SS (304) (N/A)	N/A	AS-142-KO-SS4 (10)	N/A		N/A	N/A	N/A
G382K02SS (304) (N/A)	N/A	AS-142-KO-SS4 (20)	N/A		N/A	N/A	N/A
Stainless Steel (Grade 316) (N/A)							
G3821SS (316) (N/A)	PS 300 10 SS(316)	AS-142-SS6 (10)	N/A		N/A	N/A	N/A
G3822SS (316) (N/A)	PS 300 20 SS(316)	AS-142-SS6 (20)	N/A		N/A	N/A	N/A
G382H1SS (316) (N/A)	PS 300 H 10 SS(316)	AS-142-RS-SS6 (10)	N/A		N/A	N/A	N/A
G382H2SS (316) (N/A)	PS 300 H 20 SS(316)	AS-142-RS-SS6 (20)	N/A		N/A	N/A	N/A
G3820S1SS (316) (N/A)	PS 300 EH 10 SS(316)	AS-142-OS-SS6 (10)	N/A		N/A	N/A	N/A
G3820S2SS (316) (N/A)	PS 300 EH 20 SS(316)	AS-142-OS-SS6 (20)	N/A		N/A	N/A	N/A
G382LS1SS (316) (N/A)	PS 300 S 10 SS(316)	AS-142-SL-SS6 (10)	N/A		N/A	N/A	N/A
G382LS2SS (316) (N/A)	PS 300 S 20 SS(316)	AS-142-SL-SS6 (20)	N/A		N/A	N/A	N/A
G382A1SS (316) (N/A)	PS 300 2T3 10 SS(316)	AS-142A-SS6 (10)	N/A		N/A	N/A	N/A
G382A2SS (316) (N/A)	PS 300 2T3 20 SS(316)	AS-142A-SS6 (20)	N/A		N/A	N/A	N/A
G382A0S1SS (316) (N/A)	PS 300 2T3 EH 10 SS(316)	AS-142A-OS-SS6 (10)	N/A		N/A	N/A	N/A
G382A0S2SS (316) (N/A)	PS 300 2T3 EH 20 SS(316)	AS-142A-OS-SS6 (20)	N/A		N/A	N/A	N/A
G382K01SS (316) (N/A)	N/A	AS-142-KO-SS6 (10)	N/A		N/A	N/A	N/A
G382K02SS (316) (N/A)	N/A	AS-142-KO-SS6 (20)	N/A		N/A	N/A	N/A
Aluminum Extruded (N/A)							
G3821AL (N/A)	PS 300 10 AL	AS-142-AL (10)	N/A	C1200 10AL	N/A	N/A	N/A
G3822AL (N/A)	PS 300 20 AL	AS-142-AL (20)	N/A	C1200 20AL	N/A	N/A	N/A
G382H1AL (N/A)	PS 300 H 10 AL	AS-142-RS-AL (10)	N/A	N/A	N/A	N/A	N/A
G382H2AL (N/A)	PS 300 H 20 AL	AS-142-RS-AL (20)	N/A	N/A	N/A	N/A	N/A
G3820S1AL (N/A)	PS 300 EH 10 AL	AS-142-OS-AL (10)	N/A	C1200HS 10AL	N/A	N/A	N/A
G3820S2AL (N/A)	PS 300 EH 20 AL	AS-142-OS-AL (20)	N/A	C1200HS 20AL	N/A	N/A	N/A
G382LS1AL (N/A)	PS 300 S 10 AL	AS-142-SL-AL (10)	N/A	N/A	N/A	N/A	N/A
G382LS2AL (N/A)	PS 300 S 20 AL	AS-142-SL-AL (20)	N/A	N/A	N/A	N/A	N/A
G382A1AL (N/A)	PS 300 2T3 10 AL	AS-142A-AL (10)	N/A	C1200-2 10AL	N/A	N/A	N/A
G382A2AL (N/A)	PS 300 2T3 20 AL	AS-142A-AL (20)	N/A	C1200-2 20AL	N/A	N/A	N/A
G382A0S1AL (N/A)	PS 300 2T3 EH 10 AL	AS-142A-OS-AL (10)	N/A	C1200-2HS 10AL	N/A	N/A	N/A
G382A0S2AL (N/A)	PS 300 2T3 EH 20 AL	AS-142A-OS-AL (20)	N/A	C1200-2HS 20AL	N/A	N/A	N/A
G382K01AL (N/A)	N/A	AS-142-KO-AL (10)	N/A	N/A	N/A	N/A	N/A
G382K02AL (N/A)	N/A	AS-142-KO-AL (20)	N/A	N/A	N/A	N/A	N/A
PVC Coated (Galvanized or Black)							
G3821PVC	N/A	AS-142-PVC (10)	N/A	C1200 10PVC	N/A	N/A	N/A
G3822PVC	N/A	AS-142-PVC (20)	N/A	C1200 20PVC	N/A	N/A	N/A
G382H1PVC	N/A	AS-142-RS-PVC (10)	N/A	N/A	N/A	N/A	N/A
G382H2PVC	N/A	AS-142-RS-PVC (20)	N/A	N/A	N/A	N/A	N/A
G3820S1PVC	N/A	AS-142-OS-PVC (10)	N/A	C1200HS 10PVC	N/A	N/A	N/A
G3820S2PVC	N/A	AS-142-OS-PVC (20)	N/A	C1200HS 20PVC	N/A	N/A	N/A
G382LS1PVC	N/A	AS-142-SL-PVC (10)	N/A	N/A	N/A	N/A	N/A
G382LS2PVC	N/A	AS-142-SL-PVC (20)	N/A	N/A	N/A	N/A	N/A
G382A1PVC	N/A	AS-142A-PVC (10)	N/A	C1200-2 10PVC	N/A	N/A	N/A
G382A2PVC	N/A	AS-142A-PVC (20)	N/A	C1200-2 20PVC	N/A	N/A	N/A
G382A0S1PVC	N/A	AS-142A-OS-PVC (10)	N/A	C1200-2HS 10PVC	N/A	N/A	N/A
G382A0S2PVC	N/A	AS-142A-OS-PVC (20)	N/A	C1200-2HS 20PVC	N/A	N/A	N/A
G382K01PVC	N/A	AS-142-KO-PVC (10)	N/A	N/A	N/A	N/A	N/A
G382K02PVC	N/A	AS-142-KO-PVC (20)	N/A	N/A	N/A	N/A	N/A
Pre-Galvanized - G-102 - 1" x 1-5/8"							
G1021	PS 400 10 PG	AS-152-PG (10)	S5G (10)	N/A	N/A	VA-10 EG (10)	W-800 PRE-GALV (10)
G1022	PS 400 20 PG	AS-152-PG (20)	S5G (20)	N/A	N/A	VA-10 EG (20)	W-800 PRE-GALV (20)
G102H1	PS 400 H 10 PG	AS-152-RS-PG (10)	S5H112G (10)	N/A	N/A	VA-10P1.87 EG (10)	W-800-H PRE-GALV (10)
G102H2	PS 400 H 20 PG	AS-152-RS-PG (20)	S5H112G (20)	N/A	N/A	VA-10P1.87 EG (20)	W-800-H PRE-GALV (20)
G1020S1	PS 400 EH 10 PG	AS-152-OS-PG (10)	S5SL2G (10)	N/A	N/A	VA-10PLH EG (10)	W-800-SS-PRE-GALV (10)
G1020S2	PS 400 EH 20 PG	AS-152-OS-PG (20)	S5SL2G (20)	N/A	N/A	VA-10PLH EG (20)	W-800-SS-PRE-GALV (20)
G102LS1	PS 400 S 10 PG	AS-152-SL-PG (10)	S5SL4G (10)	N/A	N/A	VA-10P3S EG (10)	W-800-SL-PRE-GALV (10)
G102LS2	PS 400 S 20 PG	AS-152-SL-PG (20)	S5SL4G (20)	N/A	N/A	VA-10P3S EG (20)	W-800-SL-PRE-GALV (20)
G102A1	PS 400 2T3 10 PG	AS-152A-PG (10)	S5BB-G (10)	N/A	N/A	VA-10201 EG (10)	W-801 PRE-GALV (10)
G102A2	PS 400 2T3 20 PG	AS-152A-PG (20)	S5BB-G (20)	N/A	N/A	VA-10201 EG (20)	W-801 PRE-GALV (20)
G102A0S1	N/A	AS-152A-OS-PG (10)	N/A	N/A	N/A	N/A	W-801-SS-PRE-GALV (10)
G102A0S2	N/A	AS-152A-OS-PG (20)	N/A	N/A	N/A	N/A	W-801-SS-PRE-GALV (20)
G102K01	N/A	AS-152-KO-PG (10)	S5K06G (10)	N/A	N/A	N/A	W-800-KO-PRE-GALV (10)
G102K02	N/A	AS-152-KO-PG (20)	S5K06G (20)	N/A	N/A	N/A	W-800-KO-PRE-GALV (20)

CROSS REFERENCE

G-STRUT® (GREGORY IND.)	ANVIL-STRUT (ANVIL INTERNATIONAL)	B-LINE (EATON)	ELITE STRUT (ELITE COMPONENTS)	ERICO/ERISTRUT (NVENT)	FLEX-STRUT (FLEX STRUT)	FLORIDA STRUT (ZSI-FOSTER)	H-STRUT (HAYDON CORP.)	PHD (PHD MFG.)
Green								
G1021POP	AS 400-GR 10	B42 GRN 120	N/A	N/A	FS-400-GR-10	N/A	H-152-GRN X 10	N/A
G1022POP	AS 400-GR 20	B42 GRN 240	N/A	N/A	FS-400-GR-20	N/A	H-152-GRN X 20	N/A
G102H1POP	AS 400H-GR 10	B42 H17/8 GRN 120	N/A	N/A	FS-400-H-GR-10	N/A	H-152-RS-GRN X 10	N/A
G102H2POP	AS 400H-GR 20	B42 H17/8 GRN 240	N/A	N/A	FS-400-H-GR-20	N/A	H-152-RS-GRN X 20	N/A
G1020S1POP	AS 400EH-GR 10	B42 SH GRN 120	N/A	N/A	FS-400-SS-GR-10	N/A	H-152-OS-GRN X 10	N/A
G1020S2POP	AS 400EH-GR 20	B42 SH GRN 240	N/A	N/A	FS-400-SS-GR-20	N/A	H-152-OS-GRN X 20	N/A
G102LS1POP	AS 400S-GR 10	B42 S GRN 120	N/A	N/A	FS-400-SL-GR-10	N/A	H-152-OS3-GRN X 10	N/A
G102LS2POP	AS 400S-GR 20	B42 S GRN 240	N/A	N/A	FS-400-SL-GR-20	N/A	H-152-OS3-GRN X 20	N/A
G102A1POP	AS 400BTB-GR 10	B42A GRN 120	N/A	N/A	FS-401-GR-10	N/A	H-152-A-GRN X 10	N/A
G102A2POP	AS 400BTB-GR 20	B42A GRN 240	N/A	N/A	FS-401-GR-20	N/A	H-152-A-GRN X 20	N/A
G102AOS1POP			N/A	N/A		N/A		N/A
G102AOS2POP			N/A	N/A		N/A		N/A
G102K01POP	AS 400K0-GR 10	B42 K06 GRN 120	N/A	N/A	FS-400-K0-GR-10	N/A	H-152-K0-GRN X 10	N/A
G102K02POP	AS 400K0-GR 20	B42 K06 GRN 240	N/A	N/A	FS-400-K0-GR-20	N/A	H-152-K0-GRN X 20	N/A
Yellow Zinc Dichromate								
G1021YZ		N/A	N/A	N/A	N/A	N/A		N/A
G1022YZ		N/A	N/A	N/A	N/A	N/A		N/A
G102H1YZ		N/A	N/A	N/A	N/A	N/A		N/A
G102H2YZ		N/A	N/A	N/A	N/A	N/A		N/A
G1020S1YZ		N/A	N/A	N/A	N/A	N/A		N/A
G1020S2YZ		N/A	N/A	N/A	N/A	N/A		N/A
G102LS1YZ		N/A	N/A	N/A	N/A	N/A		N/A
G102LS2YZ		N/A	N/A	N/A	N/A	N/A		N/A
G102A1YZ		N/A	N/A	N/A	N/A	N/A		N/A
G102A2YZ		N/A	N/A	N/A	N/A	N/A		N/A
G102AOS1YZ		N/A	N/A	N/A	N/A	N/A		N/A
G102AOS2YZ		N/A	N/A	N/A	N/A	N/A		N/A
G102K01YZ		N/A	N/A	N/A	N/A	N/A		N/A
G102K02YZ		N/A	N/A	N/A	N/A	N/A		N/A
Galvannealed (WIZcoat™)								
G1021GN	N/A	N/A	N/A	N/A	N/A	N/A	N/A	N/A
G1022GN	N/A	N/A	N/A	N/A	N/A	N/A	N/A	N/A
G102H1GN	N/A	N/A	N/A	N/A	N/A	N/A	N/A	N/A
G102H2GN	N/A	N/A	N/A	N/A	N/A	N/A	N/A	N/A
G1020S1GN	N/A	N/A	N/A	N/A	N/A	N/A	N/A	N/A
G1020S2GN	N/A	N/A	N/A	N/A	N/A	N/A	N/A	N/A
G102LS1GN	N/A	N/A	N/A	N/A	N/A	N/A	N/A	N/A
G102LS2GN	N/A	N/A	N/A	N/A	N/A	N/A	N/A	N/A
G102A1GN	N/A	N/A	N/A	N/A	N/A	N/A	N/A	N/A
G102A2GN	N/A	N/A	N/A	N/A	N/A	N/A	N/A	N/A
G102AOS1GN	N/A	N/A	N/A	N/A	N/A	N/A	N/A	N/A
G102AOS2GN	N/A	N/A	N/A	N/A	N/A	N/A	N/A	N/A
G102K01GN	N/A	N/A	N/A	N/A	N/A	N/A	N/A	N/A
G102K02GN	N/A	N/A	N/A	N/A	N/A	N/A	N/A	N/A
Plain, Pickled, and Oiled								
G1021PO	AS 400-PL 10	B42 PLN 120	N/A	N/A	FS-400-PL-10	N/A	H-152-PL X 10	1401 PL (10)
G1022PO	AS 400-PL 20	B42 PLN 240	N/A	N/A	FS-400-PL-20	N/A	H-152-PL X 20	1402 PL (20)
G102H1PO	AS 400H-PL 10	B42 H17/8 PLN 120	N/A	N/A	FS-400-H-PL-10	N/A	H-152-RS-PL X 10	1421 PL (10)
G102H2PO	AS 400H-PL 20	B42 H17/8 PLN 240	N/A	N/A	FS-400-H-PL-20	N/A	H-152-RS-PL X 20	1422 PL (20)
G1020S1PO	AS 400EH-PL 10	B42 SH PLN 120	N/A	N/A	FS-400-SS-PL-10	N/A	H-152-OS-PL X 10	1411 PL (10)
G1020S2PO	AS 400EH-PL 20	B42 SH PLN 240	N/A	N/A	FS-400-SS-PL-20	N/A	H-152-OS-PL X 20	1412 PL (20)
G102LS1PO	AS 400S-PL 10	B42 S PLN 120	N/A	N/A	FS-400-SL-PL-10	N/A	H-152-OS3-PL X 10	1431 PL (10)
G102LS2PO	AS 400S-PL 20	B42 S PLN 240	N/A	N/A	FS-400-SL-PL-20	N/A	H-152-OS3-PL X 20	1432 PL (20)
G102A1PO	AS 400BTB-PL 10	B42A PLN 120	N/A	N/A	FS-401-PL-10	N/A	H-152-A-PL X 10	1401A PL (10)
G102A2PO	AS 400BTB-PL 20	B42A PLN 240	N/A	N/A	FS-401-PL-20	N/A	H-152-A-PL X 20	1402A PL (20)
G102AOS1PO			N/A	N/A		N/A		1411A PL (10)
G102AOS2PO			N/A	N/A		N/A		1412A PL (20)
G102K01PO	AS 400K0-PL 10	B42 K06 PLN 120	N/A	N/A	FS-400-K0-PL-10	N/A	H-152-K0-PL X 10	1441 PL (10)
G102K02PO	AS 400K0-PL 20	B42 K06 PLN 240	N/A	N/A	FS-400-K0-PL-20	N/A	H-152-K0-PL X 20	1442 PL (20)
Hot-dipped Galvanized								
G1021HDG		B42 HDG 120	N/A	N/A	FS-400-HG-10	N/A		1401HD (10)
G1022HDG		B42 HDG 240	N/A	N/A	FS-400-HG-20	N/A		1402 HD (20)
G102H1HDG		B42 H17/8 HDG 120	N/A	N/A	FS-400-H-HG-10	N/A		1421 HD (10)
G102H2HDG		B42 H17/8 HDG 240	N/A	N/A	FS-400-H-HG-20	N/A		1422 HD (20)
G1020S1HDG		B42 SH HDG 120	N/A	N/A	FS-400-SS-HG-10	N/A		1411 HD (10)
G1020S2HDG		B42 SH HDG 240	N/A	N/A	FS-400-SS-HG-20	N/A		1412 HD (20)
G102LS1HDG		B42 S HDG 120	N/A	N/A	FS-400-SL-HG-10	N/A		1431 HD (10)
G102LS2HDG		B42 S HDG 240	N/A	N/A	FS-400-SL-HG-20	N/A		1432 HD (20)
G102A1HDG		B42A HDG 120	N/A	N/A	FS-401-HG-10	N/A		1401A HD (10)
G102A2HDG		B42A HDG 240	N/A	N/A	FS-401-HG-20	N/A		1402A (HD) (20)
G102AOS1HDG			N/A	N/A		N/A		1411A HD (10)
G102AOS2HDG			N/A	N/A		N/A		1412A HD (20)
G102K01HDG		B42 K06 HDG 120	N/A	N/A	FS-400-K0-HG-10	N/A		1441 HD (10)
G102K02HDG		B42 K06 HDG 240	N/A	N/A	FS-400-K0-HG-20	N/A		1442 HD (20)

CROSS REFERENCE



G-STRUT® (GREGORY IND.)	POWER-STRUT (ATKORE)	PUPCO (POWER UTILITY PRODUCTS)	SASCO STRUT (SASCO TUBE & ROLLFORM)	SUPERSTRUT (ABB GROUP/T&B)	UNISTRUT (ATKORE)	VERSABAR (VERSABAR CORP.)	WESANCO (ZSI-FOSTER)
Green							
G1021POP	PS 400 10 GR	AS-152-GR (10)		N/A	N/A	VA-10 GR(10)	W-800 GREEN (10)
G1022POP	PS 400 20 GR	AS-152-GR (20)		N/A	N/A	VA-10 GR(20)	W-800 GREEN (20)
G102H1POP	PS 400 H 10 GR	AS-152-RS-GR (10)		N/A	N/A	VA-10P1.87 GR(10)	W-800-H-GREEN (10)
G102H2POP	PS 400 H 20 GR	AS-152-RS-GR (20)		N/A	N/A	VA-10P1.87 GR(20)	W-800-H-GREEN (20)
G102OS1POP	PS 400 EH 10 GR	AS-152-OS-GR (10)		N/A	N/A	VA-10PLH GR(10)	W-800-SS-GREEN (10)
G102OS2POP	PS 400 EH 20 GR	AS-152-OS-GR (20)		N/A	N/A	VA-10PLH GR(20)	W-800-SS-GREEN (20)
G102LS1POP	PS 400 S 10 GR	AS-152-SL-GR (10)		N/A	N/A	VA-10P3S GR(10)	W-800-SL-GREEN (10)
G102LS2POP	PS 400 S 20 GR	AS-152-SL-GR (20)		N/A	N/A	VA-10P3S GR(20)	W-800-SL-GREEN (20)
G102A1POP	PS 400 2T3 10 GR	AS-152A-GR (10)		N/A	N/A	VA-10201 GR(10)	W-801 GREEN (10)
G102A2POP	PS 400 2T3 20 GR	AS-152A-GR (20)		N/A	N/A	VA-10201 GR(20)	W-801 GREEN (20)
G102AOS1POP	N/A	AS-152A-OS-GR (10)		N/A	N/A	N/A	W-801-SS GREEN (10)
G102AOS2POP	N/A	AS-152A-OS-GR (20)		N/A	N/A	N/A	W-801-SS GREEN (20)
G102K01POP	N/A	AS-152-KO-GR (10)		N/A	N/A	N/A	W-800-KO GREEN(10)
G102K02POP	N/A	AS-152-KO-GR (20)		N/A	N/A	N/A	W-800-KO GREEN (20)
Yellow Zinc Dichromate							
G1021YZ	PS 400 10 ZD	AS-152-GD (10)		N/A	N/A		
G1022YZ	PS 400 20 ZD	AS-152-GD (20)		N/A	N/A	N/A	
G102H1YZ	PS 400 H 10 ZD	AS-152-RS-GD (10)		N/A	N/A	N/A	
G102H2YZ	PS 400 H 20 ZD	AS-152-RS-GD (20)		N/A	N/A	N/A	
G102OS1YZ	PS 400 EH 10 ZD	AS-152-OS-GD (10)		N/A	N/A	N/A	
G102OS2YZ	PS 400 EH 20 ZD	AS-152-OS-GD (20)		N/A	N/A	N/A	
G102LS1YZ	PS 400 S 10 ZD	AS-152-SL-GD (10)		N/A	N/A	N/A	
G102LS2YZ	PS 400 S 20 ZD	AS-152-SL-GD (20)		N/A	N/A	N/A	
G102A1YZ	PS 400 2T3 10 ZD	AS-152A-GD (10)		N/A	N/A	N/A	
G102A2YZ	PS 400 2T3 20 ZD	AS-152A-GD (20)		N/A	N/A	N/A	
G102AOS1YZ	N/A	AS-152A-OS-GD (10)		N/A	N/A	N/A	
G102AOS2YZ	N/A	AS-152A-OS-GD (20)		N/A	N/A	N/A	
G102K01YZ	N/A	AS-152-KO-GD (10)		N/A	N/A	N/A	
G102K02YZ	N/A	AS-152-KO-GD (20)		N/A	N/A	N/A	
Galvannealed (WIZcoat™)							
G1021GN	N/A	N/A	N/A	N/A	N/A		
G1022GN	N/A	N/A	N/A	N/A	N/A	N/A	N/A
G102H1GN	N/A	N/A	N/A	N/A	N/A	N/A	N/A
G102H2GN	N/A	N/A	N/A	N/A	N/A	N/A	N/A
G102OS1GN	N/A	N/A	N/A	N/A	N/A	N/A	N/A
G102OS2GN	N/A	N/A	N/A	N/A	N/A	N/A	N/A
G102LS1GN	N/A	N/A	N/A	N/A	N/A	N/A	N/A
G102LS2GN	N/A	N/A	N/A	N/A	N/A	N/A	N/A
G102A1GN	N/A	N/A	N/A	N/A	N/A	N/A	N/A
G102A2GN	N/A	N/A	N/A	N/A	N/A	N/A	N/A
G102AOS1GN	N/A	N/A	N/A	N/A	N/A	N/A	N/A
G102AOS2GN	N/A	N/A	N/A	N/A	N/A	N/A	N/A
G102K01GN	N/A	N/A	N/A	N/A	N/A	N/A	N/A
G102K02GN	N/A	N/A	N/A	N/A	N/A	N/A	N/A
Plain, Pickled, and Oiled							
G1021PO	PS 400 10 PL	AS-152-BK (10)	S5P (10)	N/A	N/A		
G1022PO	PS 400 20 PL	AS-152-BK (20)	S5P (20)	N/A	N/A	VA-10 HRPO(20)	W-800 PLAIN (20)
G102H1PO	PS 400 H 10 PL	AS-152-RS-BK (10)	S5H112P (10)	N/A	N/A	VA-10P1.87 HRPO(10)	W-800-H-PLAIN (10)
G102H2PO	PS 400 H 20 PL	AS-152-RS-BK (20)	S5H112P (20)	N/A	N/A	VA-10P1.87 HRPO(20)	W-800-H-PLAIN (20)
G102OS1PO	PS 400 EH 10 PL	AS-152-OS-BK (10)	S5SL2P (10)	N/A	N/A	VA-10PLH HRPO(10)	W-800-SS-PLAIN (10)
G102OS2PO	PS 400 EH 20 PL	AS-152-OS-BK (20)	S5SL2P (20)	N/A	N/A	VA-10PLH HRPO(20)	W-800-SS-PLAIN (20)
G102LS1PO	PS 400 S 10 PL	AS-152-SL-BK (10)	S5SL4P (10)	N/A	N/A	VA-10P3S HRPO(10)	W-800-SL-PLAIN (10)
G102LS2PO	PS 400 S 20 PL	AS-152-SL-BK (20)	S5SL4P (20)	N/A	N/A	VA-10P3S HRPO(20)	W-800-SL-PLAIN (20)
G102A1PO	PS 400 2T3 10 PL	AS-152A-BK (10)	S5BB-P (10)	N/A	N/A	VA-10201 HRPO(10)	W-801 PLAIN (10)
G102A2PO	PS 400 2T3 20 PL	AS-152A-BK (20)	S5BB-P (20)	N/A	N/A	VA-10201 HRPO(20)	W-801 PLAIN (20)
G102AOS1PO	N/A	AS-152A-OS-BK (10)		N/A	N/A	N/A	W-801-SS PLAIN (10)
G102AOS2PO	N/A	AS-152A-OS-BK (20)		N/A	N/A	N/A	W-801-SS PLAIN (20)
G102K01PO	N/A	AS-152-KO-BK (10)	S5K06P (10)	N/A	N/A	N/A	W-800-KO PLAIN (10)
G102K02PO	N/A	AS-152-KO-BK (20)	S5K06P (20)	N/A	N/A	N/A	W-800-KO PLAIN (20)
Hot-dipped Galvanized							
G1021HDG	PS 400 10 HG	AS-152-HD (10)	S5HG (10)	N/A	N/A		
G1022HDG	PS 400 20 HG	AS-152-HD (20)	S5HG (20)	N/A	N/A	N/A	W-800 HDGAF (20)
G102H1HDG	PS 400 H 10 HG	AS-152-RS-HD (10)	S5H112HG (10)	N/A	N/A	N/A	W-800-H-HDGAF (10)
G102H2HDG	PS 400 H 20 HG	AS-152-RS-HD (20)	S5H112HG (20)	N/A	N/A	N/A	W-800-H-HDGAF (20)
G102OS1HDG	PS 400 EH 10 HG	AS-152-OS-HD (10)	S5SL2HG (10)	N/A	N/A	N/A	W-800-SS-HDGAF (10)
G102OS2HDG	PS 400 EH 20 HG	AS-152-OS-HD (20)	S5SL2HG (20)	N/A	N/A	N/A	W-800-SS-HDGAF (20)
G102LS1HDG	PS 400 S 10 HG	AS-152-SL-HD (10)	S5SL4HG (10)	N/A	N/A	N/A	W-800-SL-HDGAF (10)
G102LS2HDG	PS 400 S 20 HG	AS-152-SL-HD (20)	S5SL4HG (20)	N/A	N/A	N/A	W-800-SL-HDGAF (20)
G102A1HDG	PS 400 2T3 10 HG	AS-152A-HD (10)	S5BB-HG (10)	N/A	N/A	N/A	W-801 HDGAF (10)
G102A2HDG	PS 400 2T3 20 HG	AS-152A-HD (20)	S5BB-HG (20)	N/A	N/A	N/A	W-801 HDGAF (20)
G102AOS1HDG	N/A	AS-152A-OS-HD (10)		N/A	N/A	N/A	W-801-SS HDGAF (10)
G102AOS2HDG	N/A	AS-152A-OS-HD (20)		N/A	N/A	N/A	W-801-SS HDGAF (20)
G102K01HDG	N/A	AS-152-KO-HD (10)	S5K06HG (10)	N/A	N/A	N/A	W-800-KO HDGAF (10)
G102K02HDG	N/A	AS-152-KO-HD (20)	S5K06HG (20)	N/A	N/A	N/A	W-800-KO HDGAF (20)

CROSS REFERENCE

G-STRUT® (GREGORY IND.)	ANVIL-STRUT (ANVIL INTERNATIONAL)	B-LINE (EATON)	ELITE STRUT (ELITE COMPONENTS)	ERICO/ERISTRUT (NVENT)	FLEX-STRUT (FLEX STRUT)	FLORIDA STRUT (ZSI-FOSTER)	H-STRUT (HAYDON CORP.)	PHD (PHD MFG.)
Stainless Steel (Grade 304) (N/A)								
G1021SS (N/A)		B42 SS4 120	N/A	N/A	FS-400-ST4-10	N/A	H-152-SS X 10	1401 SS304 (10)
G1022SS (N/A)		B42 SS4 240	N/A	N/A	FS-400-ST4-20	N/A	H-152-SS X 20	1402 SS304 (20)
G102H1SS (N/A)		B42 H17/8 SS4 120	N/A	N/A	FS-400-H-ST4-10	N/A	H-152-RS-SS X 10	1421 SS304 (10)
G102H2SS (N/A)		B42 H17/8 SS4 240	N/A	N/A	FS-400-H-ST4-20	N/A	H-152-RS-SS X 20	1422 SS304 (20)
G1020S1SS (N/A)		B42 SH SS4 120	N/A	N/A	FS-400-SS-ST4-10	N/A	H-152-OS-SS X 10	1411 SS304 (10)
G1020S2SS (N/A)		B42 SH SS4 240	N/A	N/A	FS-400-SS-ST4-20	N/A	H-152-OS-SS X 20	1412 SS304 (20)
G102LS1SS (N/A)		B42 S SS4 120	N/A	N/A	FS-400-SL-ST4-10	N/A	H-152-OS3-SS X 10	1431 SS304 (10)
G102LS2SS (N/A)		B42 S SS4 240	N/A	N/A	FS-400-SL-ST4-20	N/A	H-152-OS3-SS X 20	1432 SS304 (20)
G102A1SS (N/A)		B42A SS4 120	N/A	N/A	FS-401-ST4-10	N/A	H-152-A-SS X 10	1401A SS304 (10)
G102A2SS (N/A)		B42A SS4 240	N/A	N/A	FS-401-ST4-20	N/A	H-152-A-SS X 20	1402A SS304 (20)
G102AOS1SS (N/A)			N/A	N/A		N/A		1411A SS304 (10)
G102AOS2SS (N/A)			N/A	N/A		N/A		1412A SS304 (20)
G102K01SS (N/A)		B42 K06 SS4 120	N/A	N/A	FS-400-KO-ST4-10	N/A	H-152-KO-SS X 10	1441 SS304 (10)
G102K02SS (N/A)		B42 K06 SS4 240	N/A	N/A	FS-400-KO-ST4-20	N/A	H-152-KO-SS X 20	1442 SS304 (20)
Stainless Steel (Grade 316) (N/A)								
G1021S56 (N/A)		N/A	N/A	N/A	N/A	N/A	H-152-SS(316) X 10	1401 SS316 (10)
G1022S56 (N/A)		N/A	N/A	N/A	N/A	N/A	H-152-SS(316) X 20	1402 SS316 (20)
G102H1S56 (N/A)		N/A	N/A	N/A	N/A	N/A	H-152-RS-SS(316) X 10	1421 SS316 (10)
G102H2S56 (N/A)		N/A	N/A	N/A	N/A	N/A	H-152-RS-SS(316) X 20	1422 SS316 (20)
G1020S1S56 (N/A)		N/A	N/A	N/A	N/A	N/A	H-152-OS-SS(316) X 10	1411 SS316 (10)
G1020S2S56 (N/A)		N/A	N/A	N/A	N/A	N/A	H-152-OS-SS(316) X 20	1412 SS316 (20)
G102LS1S56 (N/A)		N/A	N/A	N/A	N/A	N/A	H-152-OS3-SS(316) X 10	1431 SS316 (10)
G102LS2S56 (N/A)		N/A	N/A	N/A	N/A	N/A	H-152-OS3-SS(316) X 20	1432 SS316 (20)
G102A1S56 (N/A)		N/A	N/A	N/A	N/A	N/A	H-152-A-SS(316) X 10	1401A SS316 (10)
G102A2S56 (N/A)		N/A	N/A	N/A	N/A	N/A	H-152-A-SS(316) X 20	1402A SS316 (20)
G102AOS1S56 (N/A)		N/A	N/A	N/A	N/A	N/A		1411A SS316 (10)
G102AOS2S56 (N/A)		N/A	N/A	N/A	N/A	N/A		1412A SS316 (20)
G102K01S56 (N/A)		N/A	N/A	N/A	N/A	N/A	H-152-KO-SS(316) X 10	1441 SS316 (10)
G102K02S56 (N/A)		N/A	N/A	N/A	N/A	N/A	H-152-KO-SS(316) X 20	1442 SS316 (20)
Aluminum Extruded (N/A)								
G1021AL (N/A)		N/A	N/A	N/A	FS-400-AL-10	N/A		1401 AL (10)
G1022AL (N/A)		N/A	N/A	N/A	FS-400-AL-20	N/A		1402 AL (20)
G102H1AL (N/A)		N/A	N/A	N/A	FS-400-H-AL-10	N/A		1421 AL (10)
G102H2AL (N/A)		N/A	N/A	N/A	FS-400-H-AL-20	N/A		1422 AL (20)
G1020S1AL (N/A)		N/A	N/A	N/A	FS-400-SS-AL-10	N/A		1411 AL (10)
G1020S2AL (N/A)		N/A	N/A	N/A	FS-400-SS-AL-20	N/A		1412 AL (20)
G102LS1AL (N/A)		N/A	N/A	N/A	FS-400-SL-AL-10	N/A		1431 AL (10)
G102LS2AL (N/A)		N/A	N/A	N/A	FS-400-SL-AL-20	N/A		1432 AL (20)
G102A1AL (N/A)		N/A	N/A	N/A	FS-401-AL-10	N/A		1401A AL (10)
G102A2AL (N/A)		N/A	N/A	N/A	FS-401-AL-20	N/A		1402A AL (20)
G102AOS1AL (N/A)		N/A	N/A	N/A		N/A		1411A AL (10)
G102AOS2AL (N/A)		N/A	N/A	N/A		N/A		1412A AL (20)
G102K01AL (N/A)		N/A	N/A	N/A	FS-400-KO-AL-10	N/A		1441 AL (10)
G102K02AL (N/A)		N/A	N/A	N/A	FS-400-KO-AL-20	N/A		1442 AL (20)
PVC Coated (Galvanized or Black)								
G1021PVC		N/A	N/A	N/A	N/A	N/A		N/A
G1022PVC		N/A	N/A	N/A	N/A	N/A		N/A
G102H1PVC		N/A	N/A	N/A	N/A	N/A		N/A
G102H2PVC		N/A	N/A	N/A	N/A	N/A		N/A
G1020S1PVC		N/A	N/A	N/A	N/A	N/A		N/A
G1020S2PVC		N/A	N/A	N/A	N/A	N/A		N/A
G102LS1PVC		N/A	N/A	N/A	N/A	N/A		N/A
G102LS2PVC		N/A	N/A	N/A	N/A	N/A		N/A
G102A1PVC		N/A	N/A	N/A	N/A	N/A		N/A
G102A2PVC		N/A	N/A	N/A	N/A	N/A		N/A
G102AOS1PVC		N/A	N/A	N/A	N/A	N/A		N/A
G102AOS2PVC		N/A	N/A	N/A	N/A	N/A		N/A
G102K01PVC		N/A	N/A	N/A	N/A	N/A		N/A
G102K02PVC		N/A	N/A	N/A	N/A	N/A		N/A
Pre-Galvanized - G-782 - 7/8" x 1-5/8"								
G7821	N/A	N/A	N/A	N/A	FS-450-PG-10	N/A	H-172-PG X 10	N/A
G7822	N/A	N/A	N/A	N/A	FS-450-PG-20	N/A	H-172-PG X 20	N/A
G782H1	N/A	N/A	N/A	N/A	FS-450-H-PG-10	N/A	H-172-RS-PG X 10	N/A
G782H2	N/A	N/A	N/A	N/A	FS-450-H-PG-20	N/A	H-172-RS-PG X 20	N/A
G7820S1	N/A	N/A	N/A	N/A	FS-450-SS-PG-10	N/A	H-172-OS-PG X 10	N/A
G7820S2	N/A	N/A	N/A	N/A	FS-450-SS-PG-20	N/A	H-172-OS-PG X 20	N/A
G782LS1	N/A	N/A	N/A	N/A	FS-450-SL-PG-10	N/A	H-172-OS3-PG X 10	N/A
G782LS2	N/A	N/A	N/A	N/A	FS-450-SL-PG-20	N/A	H-172-OS3-PG X 20	N/A
G782A1	N/A	N/A	N/A	N/A	FS-451-PG-10	N/A	H-172-A-PG X 10	N/A
G782A2	N/A	N/A	N/A	N/A	FS-451-PG-20	N/A	H-172-A-PG X 20	N/A
G782AOS1	N/A	N/A	N/A	N/A		N/A		N/A
G782AOS2	N/A	N/A	N/A	N/A		N/A		N/A
G782K01	N/A	N/A	N/A	N/A	FS-450-KO-PG-10	N/A	H-172-KO-PG X 10	N/A
G782K02	N/A	N/A	N/A	N/A	FS-450-KO-PG-20	N/A	H-172-KO-PG X 20	N/A

CROSS REFERENCE



G-STRUT® (GREGORY IND.)	POWER-STRUT (ATKORE)	PUPCO (POWER UTILITY PRODUCTS)	SASCO STRUT (SASCO TUBE & ROLLFORM)	SUPERSTRUT (ABB GROUP/T&B)	UNISTRUT (ATKORE)	VERSABAR (VERSABAR CORP.)	WESANCO (ZSI-FOSTER)
Stainless Steel (Grade 304) (N/A)							
G1021SS (N/A)	PS 400 10 SS	AS-152-SS4 (10)		N/A	N/A	N/A	N/A
G1022SS (N/A)	PS 400 20 SS	AS-152-SS4 (20)		N/A	N/A	N/A	N/A
G102H1SS (N/A)	PS 400 H 10 SS	AS-152-RS-SS4 (10)		N/A	N/A	N/A	N/A
G102H2SS (N/A)	PS 400 H 20 SS	AS-152-RS-SS4 (20)		N/A	N/A	N/A	N/A
G102OS1SS (N/A)	PS 400 EH 10 SS	AS-152-OS-SS4 (10)		N/A	N/A	N/A	N/A
G102OS2SS (N/A)	PS 400 EH 20 SS	AS-152-OS-SS4 (20)		N/A	N/A	N/A	N/A
G102LS1SS (N/A)	PS 400 S 10 SS	AS-152-SL-SS4 (10)		N/A	N/A	N/A	N/A
G102LS2SS (N/A)	PS 400 S 20 SS	AS-152-SL-SS4 (20)		N/A	N/A	N/A	N/A
G102A1SS (N/A)	PS 400 2T3 10 SS	AS-152A-SS4 (10)		N/A	N/A	N/A	N/A
G102A2SS (N/A)	PS 400 2T3 20 SS	AS-152A-SS4 (20)		N/A	N/A	N/A	N/A
G102AOS1SS (N/A)	N/A	AS-152A-OS-SS4 (10)		N/A	N/A	N/A	N/A
G102AOS2SS (N/A)	N/A	AS-152A-OS-SS4 (20)		N/A	N/A	N/A	N/A
G102KO1SS (N/A)	N/A	AS-152-KO-SS4 (10)		N/A	N/A	N/A	N/A
G102KO2SS (N/A)	N/A	AS-152-KO-SS4 (20)		N/A	N/A	N/A	N/A
Stainless Steel (Grade 316) (N/A)							
G1021SS6 (N/A)	PS 400 10 SS (316)	AS-152-SS6 (10)		N/A	N/A	N/A	N/A
G1022SS6 (N/A)	PS 400 20 SS (316)	AS-152-SS6 (20)		N/A	N/A	N/A	N/A
G102H1SS6 (N/A)	PS 400 H 10 SS (316)	AS-152-RS-SS6 (10)		N/A	N/A	N/A	N/A
G102H2SS6 (N/A)	PS 400 H 20 SS (316)	AS-152-RS-SS6 (20)		N/A	N/A	N/A	N/A
G102OS1SS6 (N/A)	PS 400 EH 10 SS (316)	AS-152-OS-SS6 (10)		N/A	N/A	N/A	N/A
G102OS2SS6 (N/A)	PS 400 EH 20 SS (316)	AS-152-OS-SS6 (20)		N/A	N/A	N/A	N/A
G102AOS1SS6 (N/A)	PS 400 S 10 SS (316)	AS-152-SL-SS6 (10)		N/A	N/A	N/A	N/A
G102LS2SS6 (N/A)	PS 400 S 20 SS (316)	AS-152-SL-SS6 (20)		N/A	N/A	N/A	N/A
G102A1SS6 (N/A)	PS 400 2T3 10 SS(316)	AS-152A-SS6 (10)		N/A	N/A	N/A	N/A
G102A2SS6 (N/A)	PS 400 2T3 20 SS(316)	AS-152A-SS6 (20)		N/A	N/A	N/A	N/A
G102AOS1SS6 (N/A)	N/A	AS-152A-OS-SS6 (10)		N/A	N/A	N/A	N/A
G102AOS2SS6 (N/A)	N/A	AS-152A-OS-SS6 (20)		N/A	N/A	N/A	N/A
G102KO1SS6 (N/A)	N/A	AS-152-KO-SS6 (10)		N/A	N/A	N/A	N/A
G102KO2SS6 (N/A)	N/A	AS-152-KO-SS6 (20)		N/A	N/A	N/A	N/A
Aluminum Extruded (N/A)							
G1021AL (N/A)	PS 400 10 AL	AS-152-AL (10)	S5AL (10)	N/A	N/A	N/A	N/A
G1022AL (N/A)	PS 400 20 AL	AS-152-AL (20)	S5AL (20)	N/A	N/A	N/A	N/A
G102H1AL (N/A)	PS 400 H 10 AL	AS-152-RS-AL (10)	S5H12AL (10)	N/A	N/A	N/A	N/A
G102H2AL (N/A)	PS 400 H 20 AL	AS-152-RS-AL (20)	S5H12AL (20)	N/A	N/A	N/A	N/A
G102OS1AL (N/A)	PS 400 EH 10 AL	AS-152-OS-AL (10)	S5SL2AL (10)	N/A	N/A	N/A	N/A
G102OS2AL (N/A)	PS 400 EH 20 AL	AS-152-OS-AL (20)	S5SL2AL (20)	N/A	N/A	N/A	N/A
G102LS1AL (N/A)	PS 400 S 10 AL	AS-152-SL-AL (10)	S5SL4AL (10)	N/A	N/A	N/A	N/A
G102LS2AL (N/A)	PS 400 S 20 AL	AS-152-SL-AL (20)	S5SL4AL (20)	N/A	N/A	N/A	N/A
G102A1AL (N/A)	PS 400 2T3 10 AL	AS-152A-AL (10)	S5BB-AL (10)	N/A	N/A	N/A	N/A
G102A2AL (N/A)	PS 400 2T3 20 AL	AS-152A-AL (20)	S5BB-AL (20)	N/A	N/A	N/A	N/A
G102AOS1AL (N/A)	N/A	AS-152A-OS-AL (10)		N/A	N/A	N/A	N/A
G102AOS2AL (N/A)	N/A	AS-152A-OS-AL (20)		N/A	N/A	N/A	N/A
G102KO1AL (N/A)	N/A	AS-152-KO-AL (10)	S5K06AL (10)	N/A	N/A	N/A	N/A
G102KO2AL (N/A)	N/A	AS-152-KO-AL (20)	S5K06AL (20)	N/A	N/A	N/A	N/A
PVC Coated (Galvanized or Black)							
G1021PVC	N/A	AS-152-PVC (10)		N/A	N/A	N/A	N/A
G1022PVC	N/A	AS-152-PVC (20)		N/A	N/A	N/A	N/A
G102H1PVC	N/A	AS-152-RS-PVC (10)		N/A	N/A	N/A	N/A
G102H2PVC	N/A	AS-152-RS-PVC (20)		N/A	N/A	N/A	N/A
G102OS1PVC	N/A	AS-152-OS-PVC (10)		N/A	N/A	N/A	N/A
G102OS2PVC	N/A	AS-152-OS-PVC (20)		N/A	N/A	N/A	N/A
G102LS1PVC	N/A	AS-152-SL-PVC (10)		N/A	N/A	N/A	N/A
G102LS2PVC	N/A	AS-152-SL-PVC (20)		N/A	N/A	N/A	N/A
G102A1PVC	N/A	AS-152A-PVC (10)		N/A	N/A	N/A	N/A
G102A2PVC	N/A	AS-152A-PVC (20)		N/A	N/A	N/A	N/A
G102AOS1PVC	N/A	AS-152A-OS-PVC (10)		N/A	N/A	N/A	N/A
G102AOS2PVC	N/A	AS-152A-OS-PVC (20)		N/A	N/A	N/A	N/A
G102KO1PVC	N/A	AS-152-KO-PVC (10)		N/A	N/A	N/A	N/A
G102KO2PVC	N/A	AS-152-KO-PVC (20)		N/A	N/A	N/A	N/A
Pre-Galvanized - G-782 - 7/8" x 1-5/8"							
G7821	N/A	AS-172-PG (10)	N/A	N/A	P3300 10PG	N/A	W-900 PRE-GALV (10)
G7822	N/A	AS-172-PG (20)	N/A	N/A	P3300 20PG	N/A	W-900 PRE-GALV (20)
G782H1	N/A	AS-172-RS-PG (10)	N/A	N/A	P3300 HS 10PG	N/A	W-900-H PRE-GALV (10)
G782H2	N/A	AS-172-RS-PG (20)	N/A	N/A	P3300 HS 20PG	N/A	W-900-H PRE-GALV (20)
G782OS1	N/A	AS-172-OS-PG (10)	N/A	N/A	P3300 T 10PG	N/A	W-900-SS PRE-GALV (10)
G782OS2	N/A	AS-172-OS-PG (20)	N/A	N/A	P3300 T 20PG	N/A	W-900-SS PRE-GALV (20)
G782LS1	N/A	AS-172-SL-PG (10)	N/A	N/A	P3300 SL 10PG	N/A	W-900-SL PRE-GALV (10)
G782LS2	N/A	AS-172-SL-PG (20)	N/A	N/A	P3300 SL 20PG	N/A	W-900-SL PRE-GALV (20)
G782A1	N/A	AS-172A-PG (10)	N/A	N/A	P3301 10PG	N/A	W-901 PRE-GALV (10)
G782A2	N/A	AS-172A-PG (20)	N/A	N/A	P3301 20PG	N/A	W-901 PRE-GALV (20)
G782AOS1	N/A	AS-172A-OS-PG (10)	N/A	N/A	N/A	N/A	W-901-SS PRE-GALV (10)
G782AOS2	N/A	AS-172A-OS-PG (20)	N/A	N/A	N/A	N/A	W-901-SS PRE-GALV (20)
G782KO1	N/A	AS-172-KO-PG (10)	N/A	N/A	N/A	N/A	W-900-KO PRE-GALV (10)
G782KO2	N/A	AS-172-KO-PG (20)	N/A	N/A	N/A	N/A	W-900-KO PRE-GALV (20)

CROSS REFERENCE

G-STRUT® (GREGORY IND.)	ANVIL-STRUT (ANVIL INTERNATIONAL)	B-LINE (EATON)	ELITE STRUT (ELITE COMPONENTS)	ERICO/ERISTRUT (NVENT)	FLEX-STRUT (FLEX STRUT)	FLORIDA STRUT (ZSI-FOSTER)	H-STRUT (HAYDON CORP.)	PHD (PHD MFG.)
Green								
G7821POP	N/A	N/A	N/A	N/A	FS-450-GR-10	N/A	H-172-GRN X 10	N/A
G7822POP	N/A	N/A	N/A	N/A	FS-450-GR-20	N/A	H-172-GRN X 20	N/A
G782H1POP	N/A	N/A	N/A	N/A	FS-450-H-GR-10	N/A	H-172-RS-GRN X 10	N/A
G782H2POP	N/A	N/A	N/A	N/A	FS-450-H-GR-20	N/A	H-172-RS-GRN X 20	N/A
G782OS1POP	N/A	N/A	N/A	N/A	FS-450-SS-GR-10	N/A	H-172-OS-GRN X 10	N/A
G782OS2POP	N/A	N/A	N/A	N/A	FS-450-SS-GR-20	N/A	H-172-OS-GRN X 20	N/A
G782LS1POP	N/A	N/A	N/A	N/A	FS-450-SL-GR-10	N/A	H-172-OS3-GRN X 10	N/A
G782LS2POP	N/A	N/A	N/A	N/A	FS-450-SL-GR-20	N/A	H-172-OS3-GRN X 20	N/A
G782A1POP	N/A	N/A	N/A	N/A	FS-451-GR-10	N/A	H-172-A-GRN X 10	N/A
G782A2POP	N/A	N/A	N/A	N/A	FS-451-GR-20	N/A	H-172-A-GRN X 20	N/A
G782AOS1POP	N/A	N/A	N/A	N/A		N/A		N/A
G782AOS2POP	N/A	N/A	N/A	N/A		N/A		N/A
G782K01POP	N/A	N/A	N/A	N/A	FS-450-KO-GR-10	N/A	H-172-KO-GRN X 10	N/A
G782K02POP	N/A	N/A	N/A	N/A	FS-450-KO-GR-20	N/A	H-172-KO-GRN X 20	N/A
Yellow Zinc Dichromate								
G7821YZ	N/A	N/A	N/A	N/A	N/A	N/A		N/A
G7822YZ	N/A	N/A	N/A	N/A	N/A	N/A		N/A
G782H1YZ	N/A	N/A	N/A	N/A	N/A	N/A		N/A
G782H2YZ	N/A	N/A	N/A	N/A	N/A	N/A		N/A
G782OS1YZ	N/A	N/A	N/A	N/A	N/A	N/A		N/A
G782OS2YZ	N/A	N/A	N/A	N/A	N/A	N/A		N/A
G782LS1YZ	N/A	N/A	N/A	N/A	N/A	N/A		N/A
G782LS2YZ	N/A	N/A	N/A	N/A	N/A	N/A		N/A
G782A1YZ	N/A	N/A	N/A	N/A	N/A	N/A		N/A
G782A2YZ	N/A	N/A	N/A	N/A	N/A	N/A		N/A
G782AOS1YZ	N/A	N/A	N/A	N/A	N/A	N/A		N/A
G782AOS2YZ	N/A	N/A	N/A	N/A	N/A	N/A		N/A
G782K01YZ	N/A	N/A	N/A	N/A	N/A	N/A		N/A
G782K02YZ	N/A	N/A	N/A	N/A	N/A	N/A		N/A
Plain, Pickled, and Oiled								
G7821PO	N/A	N/A	N/A	N/A	FS-450-PL-10	N/A	H-172-PL X 10	N/A
G7822PO	N/A	N/A	N/A	N/A	FS-450-PL-20	N/A	H-172-PL X 20	N/A
G782H1PO	N/A	N/A	N/A	N/A	FS-450-H-PL-10	N/A	H-172-RS-PL X 10	N/A
G782H2PO	N/A	N/A	N/A	N/A	FS-450-H-PL-20	N/A	H-172-RS-PL X 20	N/A
G782OS1PO	N/A	N/A	N/A	N/A	FS-450-SS-PL-10	N/A	H-172-OS-PL X 10	N/A
G782OS2PO	N/A	N/A	N/A	N/A	FS-450-SS-PL-20	N/A	H-172-OS-PL X 20	N/A
G782LS1PO	N/A	N/A	N/A	N/A	FS-450-SL-PL-10	N/A	H-172-OS3-PL X 10	N/A
G782LS2PO	N/A	N/A	N/A	N/A	FS-450-SL-PL-20	N/A	H-172-OS3-PL X 20	N/A
G782A1PO	N/A	N/A	N/A	N/A	FS-451-PL-10	N/A	H-172-A-PL X 10	N/A
G782A2PO	N/A	N/A	N/A	N/A	FS-451-PL-20	N/A	H-172-A-PL X 20	N/A
G782AOS1PO	N/A	N/A	N/A	N/A		N/A		N/A
G782AOS2PO	N/A	N/A	N/A	N/A		N/A		N/A
G782K01PO	N/A	N/A	N/A	N/A	FS-450-KO-PL-10	N/A	H-172-KO-PL X 10	N/A
G782K02PO	N/A	N/A	N/A	N/A	FS-450-KO-PL-20	N/A	H-172-KO-PL X 20	N/A
Hot-dipped Galvanized								
G7821HDG	N/A	N/A	N/A	N/A	FS-450-HG-10	N/A		N/A
G7822HDG	N/A	N/A	N/A	N/A	FS-450-HG-20	N/A		N/A
G782H1HDG	N/A	N/A	N/A	N/A	FS-450-H-HG-10	N/A		N/A
G782H2HDG	N/A	N/A	N/A	N/A	FS-450-H-HG-20	N/A		N/A
G782OS1HDG	N/A	N/A	N/A	N/A	FS-450-SS-HG-10	N/A		N/A
G782OS2HDG	N/A	N/A	N/A	N/A	FS-450-SS-HG-20	N/A		N/A
G782LS1HDG	N/A	N/A	N/A	N/A	FS-450-SL-HG-10	N/A		N/A
G782LS2HDG	N/A	N/A	N/A	N/A	FS-450-SL-HG-20	N/A		N/A
G782A1HDG	N/A	N/A	N/A	N/A	FS-451-HG-10	N/A		N/A
G782A2HDG	N/A	N/A	N/A	N/A	FS-451-HG-20	N/A		N/A
G782AOS1HDG	N/A	N/A	N/A	N/A		N/A		N/A
G782AOS2HDG	N/A	N/A	N/A	N/A		N/A		N/A
G782K01HDG	N/A	N/A	N/A	N/A	FS-450-KO-HG-10	N/A		N/A
G782K02HDG	N/A	N/A	N/A	N/A	FS-450-KO-HG-20	N/A		N/A
Aluminum Extruded (N/A)								
G7821AL (N/A)	N/A	N/A	N/A	N/A	N/A	N/A	H-172-AL X 10	N/A
G7822AL (N/A)	N/A	N/A	N/A	N/A	N/A	N/A	H-172-AL X 20	N/A
G782H1AL (N/A)	N/A	N/A	N/A	N/A	N/A	N/A	H-172-RS-AL X 10	N/A
G782H2AL (N/A)	N/A	N/A	N/A	N/A	N/A	N/A	H-172-RS-AL X 20	N/A
G782OS1AL (N/A)	N/A	N/A	N/A	N/A	N/A	N/A	H-172-OS-AL X 10	N/A
G782OS2AL (N/A)	N/A	N/A	N/A	N/A	N/A	N/A	H-172-OS-AL X 20	N/A
G782LS1AL (N/A)	N/A	N/A	N/A	N/A	N/A	N/A	H-172-OS3-AL X 10	N/A
G782LS2AL (N/A)	N/A	N/A	N/A	N/A	N/A	N/A	H-172-OS3-AL X 20	N/A
G782A1AL (N/A)	N/A	N/A	N/A	N/A	N/A	N/A	H-172-A-AL X 10	N/A
G782A2AL (N/A)	N/A	N/A	N/A	N/A	N/A	N/A	H-172-A-AL X 20	N/A
G782AOS1AL (N/A)	N/A	N/A	N/A	N/A	N/A	N/A		N/A
G782AOS2AL (N/A)	N/A	N/A	N/A	N/A	N/A	N/A		N/A
G782K01AL (N/A)	N/A	N/A	N/A	N/A	N/A	N/A	H-172-KO-AL X 10	N/A
G782K02AL (N/A)	N/A	N/A	N/A	N/A	N/A	N/A	H-172-KO-AL X 20	N/A

CROSS REFERENCE



G-STRUT® (GREGORY IND.)	POWER-STRUT (ATKORE)	PUPCO (POWER UTILITY PRODUCTS)	SASCO STRUT (SASCO TUBE & ROLLFORM)	SUPERSTRUT (ABB GROUP/T&B)	UNISTRUT (ATKORE)	VERSABAR (VERSABAR CORP.)	WESANCO (ZSI-FOSTER)
Green							
G7821POP	N/A	AS-172-GR (10)	N/A	N/A	P3300 10GR	N/A	W-900 GREEN (10)
G7822POP	N/A	AS-172-GR (20)	N/A	N/A	P3300 20GR	N/A	W-900 GREEN (20)
G782H1POP	N/A	AS-172-RS-GR (10)	N/A	N/A	P3300 HS 10GR	N/A	W-900-H GREEN (10)
G782H2POP	N/A	AS-172-RS-GR (20)	N/A	N/A	P3300 HS 20GR	N/A	W-900-H GREEN (20)
G782OS1POP	N/A	AS-172-OS-GR (10)	N/A	N/A	P3300 T 10GR	N/A	W-900-SS GREEN (10)
G782OS2POP	N/A	AS-172-OS-GR (20)	N/A	N/A	P3300 T 20GR	N/A	W-900-SS GREEN (20)
G782LS1POP	N/A	AS-172-SL-GR (10)	N/A	N/A	P3300 SL 10GR	N/A	W-900-SL GREEN (10)
G782LS2POP	N/A	AS-172-SL-GR (20)	N/A	N/A	P3300 SL 20GR	N/A	W-900-SL GREEN (20)
G782A1POP	N/A	AS-172A-GR (10)	N/A	N/A	P3301 10GR	N/A	W-901 GREEN (10)
G782A2POP	N/A	AS-172A-GR (20)	N/A	N/A	P3301 20GR	N/A	W-901 GREEN (20)
G782AOS1POP	N/A	AS-172A-OS-GR (10)	N/A	N/A	N/A	N/A	W-901-SS GREEN (10)
G782AOS2POP	N/A	AS-172A-OS-GR (20)	N/A	N/A	N/A	N/A	W-901-SS GREEN (20)
G782KO1POP	N/A	AS-172-KO-GR (10)	N/A	N/A	N/A	N/A	W-900-KO GREEN (10)
G782KO2POP	N/A	AS-172-KO-GR (20)	N/A	N/A	N/A	N/A	W-900-KO GREEN (20)
Yellow Zinc Dichromate							
G7821YZ	N/A	AS-172-GD (10)	N/A	N/A	N/A	N/A	
G7822YZ	N/A	AS-172-GD (20)	N/A	N/A	N/A	N/A	
G782H1YZ	N/A	AS-172-RS-GD (10)	N/A	N/A	N/A	N/A	
G782H2YZ	N/A	AS-172-RS-GD (20)	N/A	N/A	N/A	N/A	
G782OS1YZ	N/A	AS-172-OS-GD (10)	N/A	N/A	N/A	N/A	
G782OS2YZ	N/A	AS-172-OS-GD (20)	N/A	N/A	N/A	N/A	
G782LS1YZ	N/A	AS-172-SL-GD (10)	N/A	N/A	N/A	N/A	
G782LS2YZ	N/A	AS-172-SL-GD (20)	N/A	N/A	N/A	N/A	
G782A1YZ	N/A	AS-172A-GD (10)	N/A	N/A	N/A	N/A	
G782A2YZ	N/A	AS-172A-GD (20)	N/A	N/A	N/A	N/A	
G782AOS1YZ	N/A	AS-172A-OS-GD (10)	N/A	N/A	N/A	N/A	
G782AOS2YZ	N/A	AS-172A-OS-GD (20)	N/A	N/A	N/A	N/A	
G782KO1YZ	N/A	AS-172-KO-GD (10)	N/A	N/A	N/A	N/A	
G782KO2YZ	N/A	AS-172-KO-GD (20)	N/A	N/A	N/A	N/A	
Plain, Pickled, and Oiled							
G7821PO	N/A	AS-172-BK (10)	N/A	N/A	P3300 10PL	N/A	W-900 PLAIN (10)
G7822PO	N/A	AS-172-BK (20)	N/A	N/A	P3300 20PL	N/A	W-900 PLAIN (20)
G782H1PO	N/A	AS-172-RS-BK (10)	N/A	N/A	P3300 HS 10PL	N/A	W-900-H PLAIN (10)
G782H2PO	N/A	AS-172-RS-BK (20)	N/A	N/A	P3300 HS 20PL	N/A	W-900-H PLAIN (20)
G782OS1PO	N/A	AS-172-OS-BK (10)	N/A	N/A	P3300 T 10PL	N/A	W-900-SS PLAIN (10)
G782OS2PO	N/A	AS-172-OS-BK (20)	N/A	N/A	P3300 T 20PL	N/A	W-900-SS PLAIN (20)
G782LS1PO	N/A	AS-172-SL-BK (10)	N/A	N/A	P3300 SL 10PL	N/A	W-900-SL PLAIN (10)
G782LS2PO	N/A	AS-172-SL-BK (20)	N/A	N/A	P3300 SL 20PL	N/A	W-900-SL PLAIN (20)
G782A1PO	N/A	AS-172A-BK (10)	N/A	N/A	P3301 10PL	N/A	W-901 PLAIN (10)
G782A2PO	N/A	AS-172A-BK (20)	N/A	N/A	P3301 20PL	N/A	W-901 PLAIN (20)
G782AOS1PO	N/A	AS-172A-OS-BK (10)	N/A	N/A	N/A	N/A	W-901-SS PLAIN (10)
G782AOS2PO	N/A	AS-172A-OS-BK (20)	N/A	N/A	N/A	N/A	W-901-SS PLAIN (20)
G782KO1PO	N/A	AS-172-KO-BK (10)	N/A	N/A	N/A	N/A	W-900-KO PLAIN (10)
G782KO2PO	N/A	AS-172-KO-BK (20)	N/A	N/A	N/A	N/A	W-900-KO PLAIN (20)
Hot-dipped Galvanized							
G7821HDG	N/A	AS-172-HD (10)	N/A	N/A	P3300 10HG	N/A	W-900 HDGAF (10)
G7822HDG	N/A	AS-172-HD (20)	N/A	N/A	P3300 20HG	N/A	W-900 HDGAF (20)
G782H1HDG	N/A	AS-172-RS-HD (10)	N/A	N/A	P3300 HS 10HG	N/A	W-900-H HDGAF (10)
G782H2HDG	N/A	AS-172-RS-HD (20)	N/A	N/A	P3300 HS 20HG	N/A	W-900-H HDGAF (20)
G782OS1HDG	N/A	AS-172-OS-HD (10)	N/A	N/A	P3300 T 10HG	N/A	W-900-SS HDGAF (10)
G782OS2HDG	N/A	AS-172-OS-HD (20)	N/A	N/A	P3300 T 20HG	N/A	W-900-SS HDGAF (20)
G782LS1HDG	N/A	AS-172-SL-HD (10)	N/A	N/A	P3300 SL 10HG	N/A	W-900-SL HDGAF (10)
G782LS2HDG	N/A	AS-172-SL-HD (20)	N/A	N/A	P3300 SL 20HG	N/A	W-900-SL HDGAF (20)
G782A1HDG	N/A	AS-172A-HD (10)	N/A	N/A	P3301 10HG	N/A	W-901 HDGAF (10)
G782A2HDG	N/A	AS-172A-HD (20)	N/A	N/A	P3301 20HG	N/A	W-901 HDGAF (20)
G782AOS1HDG	N/A	AS-172A-OS-HD (10)	N/A	N/A	N/A	N/A	W-901-SS HDGAF (10)
G102AOS2PVC	N/A	AS-172A-OS-HD (20)	N/A	N/A	N/A	N/A	W-901-SS HDGAF (20)
G782AOS2HDG	N/A	AS-172-KO-HD (10)	N/A	N/A	N/A	N/A	W-900-KO HDGAF (10)
G782KO2HDG	N/A	AS-172-KO-HD (20)	N/A	N/A	N/A	N/A	W-900-KO HDGAF (20)
Aluminum Extruded (N/A)							
G7821AL (N/A)	N/A	AS-172-AL (10)	N/A	N/A	N/A	N/A	N/A
G7822AL (N/A)	N/A	AS-172-AL (20)	N/A	N/A	N/A	N/A	N/A
G782H1AL (N/A)	N/A	AS-172-RS-AL (10)	N/A	N/A	N/A	N/A	N/A
G782H2AL (N/A)	N/A	AS-172-RS-AL (20)	N/A	N/A	N/A	N/A	N/A
G782OS1AL (N/A)	N/A	AS-172-OS-AL (10)	N/A	N/A	N/A	N/A	N/A
G782OS2AL (N/A)	N/A	AS-172-OS-AL (20)	N/A	N/A	N/A	N/A	N/A
G782LS1AL (N/A)	N/A	AS-172-SL-AL (10)	N/A	N/A	N/A	N/A	N/A
G782LS2AL (N/A)	N/A	AS-172-SL-AL (20)	N/A	N/A	N/A	N/A	N/A
G782A1AL (N/A)	N/A	AS-172A-AL (10)	N/A	N/A	N/A	N/A	N/A
G782A2AL (N/A)	N/A	AS-172A-AL (20)	N/A	N/A	N/A	N/A	N/A
G782AOS1AL (N/A)	N/A	AS-172A-OS-AL (10)	N/A	N/A	N/A	N/A	N/A
G782AOS2AL (N/A)	N/A	AS-172A-OS-AL (20)	N/A	N/A	N/A	N/A	N/A
G782KO1AL (N/A)	N/A	AS-172-KO-AL (10)	N/A	N/A	N/A	N/A	N/A
G782KO2AL (N/A)	N/A	AS-172-KO-AL (20)	N/A	N/A	N/A	N/A	N/A

G-STRUT® (GREGORY IND.)	ANVIL-STRUT (ANVIL INTERNATIONAL)	B-LINE (EATON)	ELITE STRUT (ELITE COMPONENTS)	ERICO/ERISTRUT (NVENT)	FLEX-STRUT (FLEX STRUT)	FLORIDA STRUT (ZSI-FOSTER)	H-STRUT (HAYDON CORP.)	PHD (PHD MFG.)
Stainless Steel (Grade 304) (N/A)								
G7821SS (N/A)	N/A	N/A	N/A	N/A	N/A	N/A	H-172-SS X 10	N/A
G7822SS (N/A)	N/A	N/A	N/A	N/A	N/A	N/A	H-172-SS X 20	N/A
G782H1SS (N/A)	N/A	N/A	N/A	N/A	N/A	N/A	H-172-RS-SS X 10	N/A
G782H2SS (N/A)	N/A	N/A	N/A	N/A	N/A	N/A	H-172-RS-SS X 20	N/A
G7820S1SS (N/A)	N/A	N/A	N/A	N/A	N/A	N/A	H-172-OS-SS X 10	N/A
G7820S2SS (N/A)	N/A	N/A	N/A	N/A	N/A	N/A	H-172-OS-SS X 20	N/A
G782LS1SS (N/A)	N/A	N/A	N/A	N/A	N/A	N/A	H-172-OS3-SS X 10	N/A
G782LS2SS (N/A)	N/A	N/A	N/A	N/A	N/A	N/A	H-172-OS3-SS X 20	N/A
G782A1SS (N/A)	N/A	N/A	N/A	N/A	N/A	N/A	H-172-A-SS X 10	N/A
G782A2SS (N/A)	N/A	N/A	N/A	N/A	N/A	N/A	H-172-A-SS X 20	N/A
G782AOS1SS (N/A)	N/A	N/A	N/A	N/A	N/A	N/A		N/A
G782AOS2SS (N/A)	N/A	N/A	N/A	N/A	N/A	N/A		N/A
G782K01SS (N/A)	N/A	N/A	N/A	N/A	N/A	N/A	H-172-KO-SS X 10	N/A
G782K02SS (N/A)	N/A	N/A	N/A	N/A	N/A	N/A	H-172-KO-SS X 20	N/A
Stainless Steel (Grade 316) (N/A)								
G7821SS6 (N/A)	N/A	N/A	N/A	N/A	N/A	N/A	H-172-SS(316) X 10	N/A
G7822SS6 (N/A)	N/A	N/A	N/A	N/A	N/A	N/A	H-172-SS(316) X 20	N/A
G782H1SS6 (N/A)	N/A	N/A	N/A	N/A	N/A	N/A	H-172-RS-SS(316) X 10	N/A
G782H2SS6 (N/A)	N/A	N/A	N/A	N/A	N/A	N/A	H-172-RS-SS(316) X 20	N/A
G7820S1SS6 (N/A)	N/A	N/A	N/A	N/A	N/A	N/A	H-172-OS-SS(316) X 10	N/A
G7820S2SS6 (N/A)	N/A	N/A	N/A	N/A	N/A	N/A	H-172-OS-SS(316) X 20	N/A
G782LS1SS6 (N/A)	N/A	N/A	N/A	N/A	N/A	N/A	H-172-OS3-SS(316) X 10	N/A
G782LS2SS6 (N/A)	N/A	N/A	N/A	N/A	N/A	N/A	H-172-OS3-SS(316) X 20	N/A
G782A1SS6 (N/A)	N/A	N/A	N/A	N/A	N/A	N/A	H-172-A-SS(316) X 10	N/A
G782A2SS6 (N/A)	N/A	N/A	N/A	N/A	N/A	N/A	H-172-A-SS(316) X 20	N/A
G782AOS1SS6 (N/A)	N/A	N/A	N/A	N/A	N/A	N/A		N/A
G782AOS2SS6 (N/A)	N/A	N/A	N/A	N/A	N/A	N/A		N/A
G782K01SS6 (N/A)	N/A	N/A	N/A	N/A	N/A	N/A	H-172-KO-SS(316) X 10	N/A
G782K02SS6 (N/A)	N/A	N/A	N/A	N/A	N/A	N/A	H-172-KO-SS(316) X 20	N/A
PVC Coated (Galvanized or Black)								
G7821PVC	N/A	N/A	N/A	N/A	N/A	N/A		N/A
G7822PVC	N/A	N/A	N/A	N/A	N/A	N/A		N/A
G782H1PVC	N/A	N/A	N/A	N/A	N/A	N/A		N/A
G782H2PVC	N/A	N/A	N/A	N/A	N/A	N/A		N/A
G7820S1PVC	N/A	N/A	N/A	N/A	N/A	N/A		N/A
G7820S2PVC	N/A	N/A	N/A	N/A	N/A	N/A		N/A
G782LS1PVC	N/A	N/A	N/A	N/A	N/A	N/A		N/A
G782LS2PVC	N/A	N/A	N/A	N/A	N/A	N/A		N/A
G782A1PVC	N/A	N/A	N/A	N/A	N/A	N/A		N/A
G782A2PVC	N/A	N/A	N/A	N/A	N/A	N/A		N/A
G782AOS1PVC	N/A	N/A	N/A	N/A	N/A	N/A		N/A
G782AOS2PVC	N/A	N/A	N/A	N/A	N/A	N/A		N/A
G782K01PVC	N/A	N/A	N/A	N/A	N/A	N/A		N/A
G782K02PVC	N/A	N/A	N/A	N/A	N/A	N/A		N/A
Pre-Galvanized - G-132 - 13/16" x 1-5/8"								
G1321	AS 520-PG 10	B52 GALV 120	N/A	C121000PG	FS-520-PG-10		H-162-PG X 10	1201 PG (10)
G1322	AS 520-PG 20	B52 GALV 240	N/A	C122000PG	FS-520-PG-20		H-162-PG X 20	1202 PG (20)
G132H1	AS 520H-PG 10	B52 H17/8 GALV 120	N/A		FS-520-H-PG-10		H-162-RS-PG X 10	1221 PG (10)
G132H2	AS 520H-PG 20	B52 H17/8 GALV 240	N/A		FS-520-H-PG-20		H-162-RS-PG X 20	1222 PG (20)
G1320S1	AS 520EH-PG 10	B52 SH GALV 120	ES C12 UST009	C12HS1000PG	FS-520-SS-PG-10	FS121316-10-PRE-GALV	H-162-OS-PG X 10	1211 PG (10)
G1320S2	AS 520EH-PG 20	B52 SH GALV 240	ES C12 UST011	C12HS2000PG	FS-520-SS-PG-20	FS121316-20-PRE-GALV	H-162-OS-PG X 20	1212 PG (20)
G132LS1	AS 520S-PG 10	B52 S GALV 120	N/A		FS-520-SL-PG-10		H-162-OS3-PG X 10	1231 PG (10)
G132LS2	AS 520S-PG 20	B52 S GALV 240	N/A		FS-520-SL-PG-20		H-162-OS3-PG X 20	1232 PG (20)
G132A1	AS 520BTB-PG 10	B52A GALV 120	N/A		FS-521-SL-PG-10		H-162-A-PG X 10	1201A PG (10)
G132A2	AS 520BTB-PG 10	B52A GALV 240	N/A		FS-521-SL-PG-20		H-162-A-PG X 20	1202A PG (20)
G132AOS1			N/A			FS121316BB-10-PRE-GALV		1211A PG (10)
G132AOS2			N/A			FS121316BB-20-PRE-GALV		1212A PG (20)
G132K01		B52 K06 GALV 120	N/A		FS-521-KO-PG-10		H-162-KO-PG X 10	1241 PG (10)
G132K02		B52 K06 GALV 240	N/A		FS-521-KO-PG-20		H-162-KO-PG X 20	1242 PG (20)
Green								
G1321POP	AS 520-GR 10	B52 GRN 120	N/A	C121000GN	FS-520-GR-10	N/A	H-162-GR X 10	N/A
G1322POP	AS 520-GR 20	B52 GRN 240	N/A	C122000GN	FS-520-GR-20	N/A	H-162-GR X 20	N/A
G132H1POP	AS 520H-GR 10	B52 H17/8 GRN 120	N/A		FS-520-H-GR-10	N/A	H-162-RS-GR X 10	N/A
G132H2POP	AS 520H-GR 20	B52 H17/8 GRN 240	N/A		FS-520-H-GR-20	N/A	H-162-RS-GR X 20	N/A
G1320S1POP	AS 520EH-GR 10	B52 SH GRN 120	ES C14 UST010	C12HS1000GN	FS-520-SS-GR-10	N/A	H-162-OS-GR X 10	N/A
G1320S2POP	AS 520EH-GR 20	B52 SH GRN 240	ES C14 UST012	C12HS2000GN	FS-520-SS-GR-20	N/A	H-162-OS-GR X 20	N/A
G132LS1POP	AS 520S-GR 10	B52 S GRN 120	N/A		FS-520-SL-GR-10	N/A	H-162-OS3-GR X 10	N/A
G132LS2POP	AS 520S-GR 20	B52 S GRN 240	N/A		FS-520-SL-GR-20	N/A	H-162-OS3-GR X 20	N/A
G132A1POP	AS 520BTB-GR 10	B52A GRN 120	N/A		FS-521-GR-10	N/A	H-162-A-GR X 10	N/A
G132A2POP	AS 520BTB-GR 20	B52A GRN 240	N/A		FS-521-GR-20	N/A	H-162-A-GR X 20	N/A
G132AOS1POP			N/A			N/A		N/A
G132AOS2POP			N/A			N/A		N/A
G132K01POP		B52 K06 GRN 120	N/A		FS-520-KO-GR-10	N/A	H-162-KO-GR X 10	N/A
G132K02POP		B52 K06 GRN 240	N/A		FS-520-KO-GR-20	N/A	H-162-KO-GR X 20	N/A

CROSS REFERENCE



G-STRUT® (GREGORY IND.)	POWER-STRUT (ATKORE)	PUPCO (POWER UTILITY PRODUCTS)	SASCO STRUT (SASCO TUBE & ROLLFORM)	SUPERSTRUT (ABB GROUP/T&B)	UNISTRUT (ATKORE)	VERSABAR (VERSABAR CORP.)	WESANCO (ZSI-FOSTER)
Stainless Steel (Grade 304) (N/A)							
G7821SS (N/A)	N/A	AS-172-SS4 (10)	N/A	N/A	N/A	N/A	N/A
G7822SS (N/A)	N/A	AS-172-SS4 (20)	N/A	N/A	N/A	N/A	N/A
G782H1SS (N/A)	N/A	AS-172-RS-SS4 (10)	N/A	N/A	N/A	N/A	N/A
G782H2SS (N/A)	N/A	AS-172-RS-SS4 (20)	N/A	N/A	N/A	N/A	N/A
G782OS1SS (N/A)	N/A	AS-172-OS-SS4 (10)	N/A	N/A	N/A	N/A	N/A
G782OS2SS (N/A)	N/A	AS-172-OS-SS4 (20)	N/A	N/A	N/A	N/A	N/A
G782LS1SS (N/A)	N/A	AS-172-SL-SS4 (10)	N/A	N/A	N/A	N/A	N/A
G782LS2SS (N/A)	N/A	AS-172-SL-SS4 (20)	N/A	N/A	N/A	N/A	N/A
G782A1SS (N/A)	N/A	AS-172A-SS4 (10)	N/A	N/A	N/A	N/A	N/A
G782A2SS (N/A)	N/A	AS-172A-SS4 (20)	N/A	N/A	N/A	N/A	N/A
G782AOS1SS (N/A)	N/A	AS-172A-OS-SS4 (10)	N/A	N/A	N/A	N/A	N/A
G782AOS2SS (N/A)	N/A	AS-172A-OS-SS4 (20)	N/A	N/A	N/A	N/A	N/A
G782K01SS (N/A)	N/A	AS-172-KO-SS4 (10)	N/A	N/A	N/A	N/A	N/A
G782K02SS (N/A)	N/A	AS-172-KO-SS4 (20)	N/A	N/A	N/A	N/A	N/A
Stainless Steel (Grade 316) (N/A)							
G7821SS6 (N/A)	N/A	AS-172-SS6 (10)	N/A	N/A	N/A	N/A	N/A
G7822SS6 (N/A)	N/A	AS-172-SS6 (20)	N/A	N/A	N/A	N/A	N/A
G782H1SS6 (N/A)	N/A	AS-172-RS-SS6 (10)	N/A	N/A	N/A	N/A	N/A
G782H2SS6 (N/A)	N/A	AS-172-RS-SS6 (20)	N/A	N/A	N/A	N/A	N/A
G782OS1SS6 (N/A)	N/A	AS-172-OS-SS6 (10)	N/A	N/A	N/A	N/A	N/A
G782OS2SS6 (N/A)	N/A	AS-172-OS-SS6 (20)	N/A	N/A	N/A	N/A	N/A
G782LS1SS6 (N/A)	N/A	AS-172-SL-SS6 (10)	N/A	N/A	N/A	N/A	N/A
G782LS2SS6 (N/A)	N/A	AS-172-SL-SS6 (20)	N/A	N/A	N/A	N/A	N/A
G782A1SS6 (N/A)	N/A	AS-172A-SS6 (10)	N/A	N/A	N/A	N/A	N/A
G782A2SS6 (N/A)	N/A	AS-172A-SS6 (20)	N/A	N/A	N/A	N/A	N/A
G782AOS-1SS6 (N/A)	N/A	AS-172A-OS-SS6 (10)	N/A	N/A	N/A	N/A	N/A
G782AOS2SS6 (N/A)	N/A	AS-172A-OS-SS6 (20)	N/A	N/A	N/A	N/A	N/A
G782K01SS6 (N/A)	N/A	AS-172-KO-SS6 (10)	N/A	N/A	N/A	N/A	N/A
G782K02SS6 (N/A)	N/A	AS-172-KO-SS6 (20)	N/A	N/A	N/A	N/A	N/A
PVC Coated (Galvanized or Black)							
G7821PVC	N/A	AS-172-PVC (10)	N/A	N/A	N/A	N/A	N/A
G7822PVC	N/A	AS-172-PVC (20)	N/A	N/A	N/A	N/A	N/A
G782H1PVC	N/A	AS-172-RS-PVC (10)	N/A	N/A	N/A	N/A	N/A
G782H2PVC	N/A	AS-172-RS-PVC (20)	N/A	N/A	N/A	N/A	N/A
G782OS1PVC	N/A	AS-172-OS-PVC (10)	N/A	N/A	N/A	N/A	N/A
G782OS2PVC	N/A	AS-172-OS-PVC (20)	N/A	N/A	N/A	N/A	N/A
G782LS1PVC	N/A	AS-172-SL-PVC (10)	N/A	N/A	N/A	N/A	N/A
G782LS2PVC	N/A	AS-172-SL-PVC (20)	N/A	N/A	N/A	N/A	N/A
G782A1PVC	N/A	AS-172A-PVC (10)	N/A	N/A	N/A	N/A	N/A
G782A2PVC	N/A	AS-172A-PVC (20)	N/A	N/A	N/A	N/A	N/A
G782AOS1PVC	N/A	AS-172A-OS-PVC (10)	N/A	N/A	N/A	N/A	N/A
G782AOS2PVC	N/A	AS-172A-OS-PVC (20)	N/A	N/A	N/A	N/A	N/A
G782K01PVC	N/A	AS-172-KO-PVC (10)	N/A	N/A	N/A	N/A	N/A
G782K02PVC	N/A	AS-172-KO-PVC (20)	N/A	N/A	N/A	N/A	N/A
Pre-Galvanized - G-132 - 13/16" x 1-5/8"							
G1321	PS 520 10 PG	N/A	N/A	B1200 10PG	N/A	VA-13 EG (10)	N/A
G1322	PS 520 20 PG	N/A	N/A	B1200 20PG	N/A	VA-13 EG (20)	N/A
G132H1	PS 520 H 10 PG	N/A	N/A	B1200H 10PG	N/A	VA-13P1.87 EG (10)	N/A
G132H2	PS 520 H 20 PG	N/A	N/A	B1200H 20PG	N/A	VA-13P1.87 EG (20)	N/A
G132OS1	PS 520 EH 10 PG	N/A	N/A	B1200HS 10PG	N/A	VA-13PLH EG (10)	N/A
G132OS2	PS 520 EH 20 PG	N/A	N/A	B1200HS 20PG	N/A	VA-13PLH EG (20)	N/A
G132LS1	PS 520 S 10 PG	N/A	N/A	B1200LS 10PG	N/A	VA-13P3S EG (10)	N/A
G132LS2	PS 520 S 20 PG	N/A	N/A	B1200LS 20PG	N/A	VA-13P3S EG (20)	N/A
G132A1	PS 520 2T3 10 PG	N/A	N/A	B1200-2 10PG	N/A	VA-13201 EG (10)	N/A
G132A2	PS 520 2T3 20 PG	N/A	N/A	B1200-2 20PG	N/A	VA-13201 EG (20)	N/A
G132AOS1	N/A	N/A	N/A	B1200-2HS 10PG	N/A	N/A	N/A
G132AOS2	N/A	N/A	N/A	B1200-2HS 20PG	N/A	N/A	N/A
G132K01	N/A	N/A	N/A	N/A	N/A	N/A	N/A
G132K02	N/A	N/A	N/A	N/A	N/A	N/A	N/A
Green							
G1321POP	PS 520 10 GR	N/A	N/A	B1200 10GR	N/A	VA-13 GR(10)	N/A
G1322POP	PS 520 20 GR	N/A	N/A	B1200 20GR	N/A	VA-13 GR(20)	N/A
G132H1POP	PS 520 H 10 GR	N/A	N/A	B1200H 10GR	N/A	VA-13P1.87 GR(10)	N/A
G132H2POP	PS 520 H 20 GR	N/A	N/A	B1200H 20GR	N/A	VA-13P1.87 GR(20)	N/A
G132OS1POP	PS 520 EH 10 GR	N/A	N/A	B1200HS 10GR	N/A	N/A	N/A
G132OS2POP	PS 520 EH 20 GR	N/A	N/A	B1200HS 20GR	N/A	N/A	N/A
G132LS1POP	PS 520 S 10 GR	N/A	N/A	B1200LS 10GR	N/A	N/A	N/A
G132LS2POP	PS 520 S 20 GR	N/A	N/A	B1200LS 20GR	N/A	N/A	N/A
G132A1POP	PS 520 2T3 10 GR	N/A	N/A	B1200-2 10GR	N/A	N/A	N/A
G132A2POP	PS 520 2T3 20 GR	N/A	N/A	B1200-2 20GR	N/A	N/A	N/A
G132AOS1POP	N/A	N/A	N/A	B1200-2HS 10GR	N/A	N/A	N/A
G132AOS2POP	N/A	N/A	N/A	B1200-2HS 20GR	N/A	N/A	N/A
G132K01POP	N/A	N/A	N/A	N/A	N/A	N/A	N/A
G132K02POP	N/A	N/A	N/A	N/A	N/A	N/A	N/A

CROSS REFERENCE



G-STRUT® (GREGORY IND.)	ANVIL-STRUT (ANVIL INTERNATIONAL)	B-LINE (EATON)	ELITE STRUT (ELITE COMPONENTS)	ERICO/ERISTRUT (NVENT)	FLEX-STRUT (FLEX STRUT)	FLORIDA STRUT (ZSI-FOSTER)	H-STRUT (HAYDON CORP.)	PHD (PHD MFG.)
Yellow Zinc Dichromate								
G1321YZ		N/A	N/A	C121000CG	N/A	N/A		N/A
G1322YZ		N/A	N/A	C122000CG	N/A	N/A		N/A
G132H1YZ		N/A	N/A		N/A	N/A		N/A
G132H2YZ		N/A	N/A		N/A	N/A		N/A
G1320S1YZ		N/A	N/A	C12HS1000CG	N/A	N/A		N/A
G1320S2YZ		N/A	N/A	C12HS2000CG	N/A	N/A		N/A
G132LS1YZ		N/A	N/A		N/A	N/A		N/A
G132LS2YZ		N/A	N/A		N/A	N/A		N/A
G132A1YZ		N/A	N/A		N/A	N/A		N/A
G132A2YZ		N/A	N/A		N/A	N/A		N/A
G132AOS1YZ		N/A	N/A		N/A	N/A		N/A
G132AOS2YZ		N/A	N/A		N/A	N/A		N/A
G132K01YZ		N/A	N/A		N/A	N/A		N/A
G132K02YZ		N/A	N/A		N/A	N/A		N/A
Galvannealed (WIZcoat™)								
G1321GN	N/A	N/A	N/A	N/A	N/A	N/A	N/A	N/A
G1322GN	N/A	N/A	N/A	N/A	N/A	N/A	N/A	N/A
G132H1GN	N/A	N/A	N/A	N/A	N/A	N/A	N/A	N/A
G132H2GN	N/A	N/A	N/A	N/A	N/A	N/A	N/A	N/A
G1320S1GN	N/A	N/A	N/A	N/A	N/A	N/A	N/A	N/A
G1320S2GN	N/A	N/A	N/A	N/A	N/A	N/A	N/A	N/A
G132LS1GN	N/A	N/A	N/A	N/A	N/A	N/A	N/A	N/A
G132LS2GN	N/A	N/A	N/A	N/A	N/A	N/A	N/A	N/A
G132A1GN	N/A	N/A	N/A	N/A	N/A	N/A	N/A	N/A
G132A2GN	N/A	N/A	N/A	N/A	N/A	N/A	N/A	N/A
G132AOS1GN	N/A	N/A	N/A	N/A	N/A	N/A	N/A	N/A
G132AOS2GN	N/A	N/A	N/A	N/A	N/A	N/A	N/A	N/A
G132K01GN	N/A	N/A	N/A	N/A	N/A	N/A	N/A	N/A
G132K02GN	N/A	N/A	N/A	N/A	N/A	N/A	N/A	N/A
Plain, Pickled, & Oiled								
G1321PO	AS 520-PL 10	B52 PLN 120	N/A	N/A	FS-520-PL-10		H-162-PL X 10	1201 PL (10)
G1322PO	AS 520-PL 20	B52 PLN 240	N/A	N/A	FS-520-PL-20		H-162-PL X 20	1202 PL (20)
G132H1PO	AS 520H-PL 10	B52 H17/8 PLN 120	N/A	N/A	FS-520-H-PL-10		H-162-RS-PL X 10	1221 PL (10)
G132H2PO	AS 520H-PL 20	B52 H17/8 PLN 240	N/A	N/A	FS-520-H-PL-20		H-162-RS-PL X 20	1222 PL (20)
G1320S1PO	AS 520EH-PL 10	B52 SH PLN 120	N/A	N/A	FS-520-SS-PL-10	FS121316-10-PLAIN	H-162-OS-PL X 10	1211 PL (10)
G1320S2PO	AS 520EH-PL 20	B52 SH PLN 240	N/A	N/A	FS-520-SS-PL-20	FS121316-20-PLAIN	H-162-OS-PL X 20	1212 PL (20)
G132LS1PO	AS 520S-PL 10	B52 S PLN 120	N/A	N/A	FS-520-SL-PL-10		H-162-OS3-PL X 10	1231 PL (10)
G132LS2PO	AS 520S-PL 20	B52 S PLN 240	N/A	N/A	FS-520-SL-PL-20		H-162-OS3-PL X 20	1232 PL (20)
G132A1PO	AS 520BTB-PL 10	B52A PLN 120	N/A	N/A	FS-521-PL-10		H-162-A-PL X 10	1201A PL (10)
G132A2PO	AS 520BTB-PL 20	B52A PLN 240	N/A	N/A	FS-521-PL-20		H-162-A-PL X 20	1202A PL (20)
G132AOS1PO			N/A	N/A		FS121316BB-10-PLAIN		1211A PL (10)
G132AOS2PO			N/A	N/A		FS121316BB-20-PLAIN		1212A PL (20)
G132K01PO		B52 K06 PLN 120	N/A	N/A	FS-520-KO-PL-10		H-162-KO-PL X 10	1241 PL (10)
G132K02PO		B52 K06 PLN 240	N/A	N/A	FS-520-KO-PL-20		H-162-KO-PL X 20	1242 PL (20)
Hot-dipped Galvanized								
G1321HDG		B52 HDG 120	N/A	N/A	FS-520-HD -10			1201 HD (10)
G1322HDG		B52 HDG 240	N/A	N/A	FS-520-HD -20			1202 HD (20)
G132H1HDG		B52 H17/8 HDG 120	N/A	N/A	FS-520-H-HD -10			1221 HD (10)
G132H2HDG		B52 H17/8 HDG 240	N/A	N/A	FS-520-H-HD -20			1222 HD (20)
G1320S1HDG		B52 SH HDG 120	N/A	N/A	FS-520-SS-HD -10	FS121316-10-HD		1211 HD (10)
G1320S2HDG		B52 SH HDG 240	N/A	N/A	FS-520-SS-HD -20	FS121316-20-HD		1212 HD (20)
G132LS1HDG		B52 S HDG120	N/A	N/A	FS-520-SL-HD -10			1231 HD (10)
G132LS2HDG		B52 S HDG 240	N/A	N/A	FS-520-SL-HD -20			1232 HD (20)
G132A1HDG		B52A HDG 120	N/A	N/A	FS-521-HD -10			1201A HD (10)
G132A2HDG		B52A HDG 240	N/A	N/A	FS-521-HD -20			1202A HD (20)
G132AOS1HDG			N/A	N/A		FS121316BB-10-HD		1211A HD (10)
G132AOS2HDG			N/A	N/A		FS121316BB-20-HD		1212A HD (20)
G132K01HDG		B52 K06 HDG 120	N/A	N/A	FS-520-KO-HD-10			1241 HD (10)
G132K02HDG		B52 K06 HDG 240	N/A	N/A	FS-520-KO-HD-20			1242 HD (20)
Aluminum Extruded (N/A)								
G1321AL (N/A)		N/A	N/A	C121000AL	FS-520-AL -10			1201 AL (20)
G1322AL (N/A)		N/A	N/A	C122000AL	FS-520-AL -20			1202 AL (20)
G132H1AL (N/A)		N/A	N/A		FS-520-H-AL -10			1221 AL (20)
G132H2AL (N/A)		N/A	N/A		FS-520-H-AL -20			1222 AL (20)
G1320S1AL (N/A)		N/A	N/A		FS-520-SS-AL -10	FS121316-10-ALUMINUM		1211 AL (20)
G1320S2AL (N/A)		N/A	N/A		FS-520-SS-AL -20	FS121316-20-ALUMINUM		1212 AL (20)
G132LS1AL (N/A)		N/A	N/A		FS-520-SL-AL -10			1231 AL (20)
G132LS2AL (N/A)		N/A	N/A		FS-520-SL-AL -20			1232 AL (20)
G132A1AL (N/A)		N/A	N/A		FS-521-AL -10			1201A AL (20)
G132A2AL (N/A)		N/A	N/A		FS-521-AL -20			1202A AL (20)
G132AOS1AL (N/A)		N/A	N/A			FS121316BB-10-ALUMINUM		1211A AL (20)
G132AOS2AL (N/A)		N/A	N/A			FS121316BB-20-ALUMINUM		1212A AL (20)
G132K01AL (N/A)		N/A	N/A		FS-520-KO-AL-10			1241 AL (20)
G132K02AL (N/A)		N/A	N/A		FS-520-KO-AL-20			1242 AL (20)

CROSS REFERENCE



G-STRUT® (GREGORY IND.)	POWER-STRUT (ATKORE)	PUPCO (POWER UTILITY PRODUCTS)	SASCO STRUT (SASCO TUBE & ROLLFORM)	SUPERSTRUT (ABB GROUP/T&B)	UNISTRUT (ATKORE)	VERSABAR (VERSABAR CORP.)	WESANCO (ZSI-FOSTER)
Yellow Zinc Dichromate							
G1321YZ	PS 520 10 ZD	N/A	N/A		N/A	N/A	N/A
G1322YZ	PS 520 20 ZD	N/A	N/A		N/A	N/A	N/A
G132H1YZ	PS 520 H 10 ZD	N/A	N/A		N/A	N/A	N/A
G132H2YZ	PS 520 H 20 ZD	N/A	N/A		N/A	N/A	N/A
G1320S1YZ	PS 520 EH 10 ZD	N/A	N/A		N/A	N/A	N/A
G1320S2YZ	PS 520 EH 20 ZD	N/A	N/A		N/A	N/A	N/A
G132LS1YZ	PS 520 S 10 ZD	N/A	N/A		N/A	N/A	N/A
G132LS2YZ	PS 520 S 20 ZD	N/A	N/A		N/A	N/A	N/A
G132A1YZ	PS 520 2T3 10 ZD	N/A	N/A		N/A	N/A	N/A
G132A2YZ	PS 520 2T3 20 ZD	N/A	N/A		N/A	N/A	N/A
G132AOS1YZ	N/A	N/A	N/A		N/A	N/A	N/A
G132AOS2YZ	N/A	N/A	N/A		N/A	N/A	N/A
G132K01YZ	N/A	N/A	N/A		N/A	N/A	N/A
G132K02YZ	N/A	N/A	N/A		N/A	N/A	N/A
Galvannealed (WIZcoat™)							
G1321GN	N/A	N/A	N/A	N/A	N/A	N/A	N/A
G1322GN	N/A	N/A	N/A	N/A	N/A	N/A	N/A
G132H1GN	N/A	N/A	N/A	N/A	N/A	N/A	N/A
G132H2GN	N/A	N/A	N/A	N/A	N/A	N/A	N/A
G1320S1GN	N/A	N/A	N/A	N/A	N/A	N/A	N/A
G1320S2GN	N/A	N/A	N/A	N/A	N/A	N/A	N/A
G132LS1GN	N/A	N/A	N/A	N/A	N/A	N/A	N/A
G132LS2GN	N/A	N/A	N/A	N/A	N/A	N/A	N/A
G132A1GN	N/A	N/A	N/A	N/A	N/A	N/A	N/A
G132A2GN	N/A	N/A	N/A	N/A	N/A	N/A	N/A
G132AOS1GN	N/A	N/A	N/A	N/A	N/A	N/A	N/A
G132AOS2GN	N/A	N/A	N/A	N/A	N/A	N/A	N/A
G132K01GN	N/A	N/A	N/A	N/A	N/A	N/A	N/A
G132K02GN	N/A	N/A	N/A	N/A	N/A	N/A	N/A
Plain, Pickled, & Oiled							
G1321PO	PS 520 10 PL	N/A	N/A	B1200 10B	N/A	N/A	N/A
G1322PO	PS 520 20 PL	N/A	N/A	B1200 20B	N/A	N/A	N/A
G132H1PO	PS 520 H 10 PL	N/A	N/A	B1200H 10B	N/A	N/A	N/A
G132H2PO	PS 520 H 20 PL	N/A	N/A	B1200H 20B	N/A	N/A	N/A
G1320S1PO	PS 520 EH 10 PL	N/A	N/A	B1200HS 10B	N/A	N/A	N/A
G1320S2PO	PS 520 EH 20 PL	N/A	N/A	B1200HS 20B	N/A	N/A	N/A
G132LS1PO	PS 520 S 10 PL	N/A	N/A	B1200LS 10B	N/A	N/A	N/A
G132LS2PO	PS 520 S 20 PL	N/A	N/A	B1200LS 20B	N/A	N/A	N/A
G132A1PO	PS 520 2T3 10 PL	N/A	N/A	B1200-2 10B	N/A	N/A	N/A
G132A2PO	PS 520 2T3 20 PL	N/A	N/A	B1200-2 20B	N/A	N/A	N/A
G132AOS1PO	N/A	N/A	N/A	B1200-2HS 10B	N/A	N/A	N/A
G132AOS2PO	N/A	N/A	N/A	B1200-2HS 20B	N/A	N/A	N/A
G132K01PO	N/A	N/A	N/A	N/A	N/A	N/A	N/A
G132K02PO	N/A	N/A	N/A	N/A	N/A	N/A	N/A
Hot-dipped Galvanized							
G1321HDG	PS 520 10 HG	N/A	N/A	B1200 10HDG	N/A	N/A	N/A
G1322HDG	PS 520 20 HG	N/A	N/A	B1200 20HDG	N/A	N/A	N/A
G132H1HDG	PS 520 H 10 HG	N/A	N/A	B1200H 10HDG	N/A	N/A	N/A
G132H2HDG	PS 520 H 20 HG	N/A	N/A	B1200H 20HDG	N/A	N/A	N/A
G1320S1HDG	PS 520 EH 10 HG	N/A	N/A	B1200HS 10HDG	N/A	N/A	N/A
G1320S2HDG	PS 520 EH 20 HG	N/A	N/A	B1200HS 20HDG	N/A	N/A	N/A
G132LS1HDG	PS 520 S 10 HG	N/A	N/A	B1200LS 10HDG	N/A	N/A	N/A
G132LS2HDG	PS 520 S 20 HG	N/A	N/A	B1200LS 20HDG	N/A	N/A	N/A
G132A1HDG	PS 520 2T3 10 HG	N/A	N/A	B1200-2 10HDG	N/A	N/A	N/A
G132A2HDG	PS 520 2T3 20 HG	N/A	N/A	B1200-2 20HDG	N/A	N/A	N/A
G132AOS1HDG	N/A	N/A	N/A	B1200-2HS 10HDG	N/A	N/A	N/A
G132AOS2HDG	N/A	N/A	N/A	B1200-2HS 20HDG	N/A	N/A	N/A
G132K01HDG	N/A	N/A	N/A	N/A	N/A	N/A	N/A
G132K02HDG	N/A	N/A	N/A	N/A	N/A	N/A	N/A
Aluminum Extruded (N/A)							
G1321AL (N/A)	PS 520 10 AL	N/A	N/A	B1200 10AL	N/A	N/A	N/A
G1322AL (N/A)	PS 520 20 AL	N/A	N/A	B1200 20AL	N/A	N/A	N/A
G132H1AL (N/A)	PS 520 H 10 AL	N/A	N/A	B1200H 10AL	N/A	N/A	N/A
G132H2AL (N/A)	PS 520 H 20 AL	N/A	N/A	B1200H 20AL	N/A	N/A	N/A
G1320S1AL (N/A)	PS 520 EH 10 AL	N/A	N/A	B1200HS 10AL	N/A	N/A	N/A
G1320S2AL (N/A)	PS 520 EH 20 AL	N/A	N/A	B1200HS 20AL	N/A	N/A	N/A
G132LS1AL (N/A)	PS 520 S 10 AL	N/A	N/A	B1200LS 10AL	N/A	N/A	N/A
G132LS2AL (N/A)	PS 520 S 20 AL	N/A	N/A	B1200LS 20AL	N/A	N/A	N/A
G132A1AL (N/A)	PS 520 2T3 10 AL	N/A	N/A	B1200-2 10AL	N/A	N/A	N/A
G132A2AL (N/A)	PS 520 2T3 20 AL	N/A	N/A	B1200-2 20AL	N/A	N/A	N/A
G132AOS1AL (N/A)	N/A	N/A	N/A	B1200-2HS 10AL	N/A	N/A	N/A
G132AOS2AL (N/A)	N/A	N/A	N/A	B1200-2HS 20AL	N/A	N/A	N/A
G132K01AL (N/A)	N/A	N/A	N/A	N/A	N/A	N/A	N/A
G132K02AL (N/A)	N/A	N/A	N/A	N/A	N/A	N/A	N/A

CROSS REFERENCE

G-STRUT® (GREGORY IND.)	ANVIL-STRUT (ANVIL INTERNATIONAL)	B-LINE (EATON)	ELITE STRUT (ELITE COMPONENTS)	ERICO/ERISTRUT (NVENT)	FLEX-STRUT (FLEX STRUT)	FLORIDA STRUT (ZSI-FOSTER)	H-STRUT (HAYDON CORP.)	PHD (PHD MFG.)
Stainless Steel (Grade 304) (N/A)								
G1321SS (N/A)		N/A	N/A	N/A	N/A		H-162-SS X 10	1201 SS304 (10)
G1322SS (N/A)		N/A	N/A	N/A	N/A		H-162-SS X 20	1202 SS304 (20)
G132H1SS (N/A)		N/A	N/A	N/A	N/A		H-162-RS-SS X 10	1221 SS304 (10)
G132H2SS (N/A)		N/A	N/A	N/A	N/A		H-162-RS-SS X 20	1222 SS304 (20)
G1320S1SS (N/A)		N/A	N/A	N/A	N/A	FS121316-10-SS	H-162-OS-SS X 10	1211 SS304 (10)
G1320S2SS (N/A)		N/A	N/A	N/A	N/A	FS121316-20-SS	H-162-OS-SS X 20	1212 SS304 (20)
G132LS1SS (N/A)		N/A	N/A	N/A	N/A		H-162-OS3-SS X 10	1231 SS304 (10)
G132LS2SS (N/A)		N/A	N/A	N/A	N/A		H-162-OS3-SS X 20	1232 SS304 (20)
G132A1SS (N/A)		N/A	N/A	N/A	N/A		H-162-A-SS X 10	1201A SS304 (10)
G132A2SS (N/A)		N/A	N/A	N/A	N/A		H-162-A-SS X 20	1202A SS304 (20)
G132AOS1SS (N/A)		N/A	N/A	N/A	N/A	FS121316BB-10-SS		1211A SS304 (10)
G132AOS2SS (N/A)		N/A	N/A	N/A	N/A	FS121316BB-20-SS		1212A SS304 (20)
G132K01SS (N/A)		N/A	N/A	N/A	N/A		H-162-KO-SS X 10	1241 SS304 (10)
G132K02SS (N/A)		N/A	N/A	N/A	N/A		H-162-KO-SS X 20	1242 SS304 (20)
Stainless Steel (Grade 316) (N/A)								
G1321SS6 (N/A)		N/A	N/A	N/A	N/A		H-162-SS(316) X 10	1201 SS316 (10)
G1322SS6 (N/A)		N/A	N/A	N/A	N/A		H-162-SS(316) X 20	1202 SS316 (10)
G132H1SS6 (N/A)		N/A	N/A	N/A	N/A		H-162-RS-SS(316) X 10	1221 SS316 (10)
G132H2SS6 (N/A)		N/A	N/A	N/A	N/A		H-162-RS-SS(316) X 20	1222 SS316 (10)
G1320S1SS6 (N/A)		N/A	N/A	N/A	N/A	FS121316-10-SS(316)	H-162-OS-SS(316) X 10	1211 SS316 (10)
G1320S2SS6 (N/A)		N/A	N/A	N/A	N/A	FS121316-20-SS(316)	H-162-OS-SS(316) X 20	1212 SS316 (10)
G132LS1SS6 (N/A)		N/A	N/A	N/A	N/A		H-162-OS3-SS(316) X 10	1231 SS316 (10)
G132LS2SS6 (N/A)		N/A	N/A	N/A	N/A		H-162-OS3-SS(316) X 20	1232 SS316 (10)
G132A1SS6 (N/A)		N/A	N/A	N/A	N/A		H-162-A-SS(316) X 10	1201A SS316 (10)
G132A2SS6 (N/A)		N/A	N/A	N/A	N/A		H-162-A-SS(316) X 20	1202A SS316 (10)
G132AOS1SS6 (N/A)		N/A	N/A	N/A	N/A	FS121316BB-10-SS(316)		1211A SS316 (10)
G132AOS2SS6 (N/A)		N/A	N/A	N/A	N/A	FS121316BB-20-SS(316)		1212A SS316 (10)
G132K01SS6 (N/A)		N/A	N/A	N/A	N/A		H-162-KO-SS(316) X 10	1241 SS316 (10)
G132K02SS6 (N/A)		N/A	N/A	N/A	N/A		H-162-KO-SS(316) X 20	1242 SS316 (10)
PVC Coated (Galvanized or Black)								
G1321PVC		N/A	N/A	N/A	N/A	N/A		N/A
G1322PVC		N/A	N/A	N/A	N/A	N/A		N/A
G132H1PVC		N/A	N/A	N/A	N/A	N/A		N/A
G132H2PVC		N/A	N/A	N/A	N/A	N/A		N/A
G1320S1PVC		N/A	N/A	N/A	N/A	N/A		N/A
G1320S2PVC		N/A	N/A	N/A	N/A	N/A		N/A
G132LS1PVC		N/A	N/A	N/A	N/A	N/A		N/A
G132LS2PVC		N/A	N/A	N/A	N/A	N/A		N/A
G-132A1PVC		N/A	N/A	N/A	N/A	N/A		N/A
G-132A2PVC		N/A	N/A	N/A	N/A	N/A		N/A
G132AOS1PVC		N/A	N/A	N/A	N/A	N/A		N/A
G132AOS2PVC		N/A	N/A	N/A	N/A	N/A		N/A
G132K01PVC		N/A	N/A	N/A	N/A	N/A		N/A
G132K02PVC		N/A	N/A	N/A	N/A	N/A		N/A

G-STRUT® (GREGORY IND.)	POWER-STRUT (ATKORE)	PUPCO (POWER UTILITY PRODUCTS)	SASCO STRUT (SASCO TUBE & ROLLFORM)	SUPERSTRUT (ABB GROUP/T&B)	UNISTRUT (ATKORE)	VERSABAR (VERSABAR CORP.)	WESANCO (ZSI-FOSTER)
Stainless Steel (Grade 304) (N/A)							
G1321SS (N/A)	PS 520 10 SS	N/A	N/A		N/A	N/A	N/A
G1322SS (N/A)	PS 520 20 SS	N/A	N/A		N/A	N/A	N/A
G132H1SS (N/A)	PS 520 H 10 SS	N/A	N/A		N/A	N/A	N/A
G132H2SS (N/A)	PS 520 H 20 SS	N/A	N/A		N/A	N/A	N/A
G1320S1SS (N/A)	PS 520 EH 10 SS	N/A	N/A		N/A	N/A	N/A
G1320S2SS (N/A)	PS 520 EH 20 SS	N/A	N/A		N/A	N/A	N/A
G132LS1SS (N/A)	PS 520 S 10 SS	N/A	N/A		N/A	N/A	N/A
G132LS2SS (N/A)	PS 520 S 20 SS	N/A	N/A		N/A	N/A	N/A
G132A1SS (N/A)	PS 520 2T3 10 SS	N/A	N/A		N/A	N/A	N/A
G132A2SS (N/A)	PS 520 2T3 20 SS	N/A	N/A		N/A	N/A	N/A
G132A0S1SS (N/A)	N/A	N/A	N/A		N/A	N/A	N/A
G132A0S2SS (N/A)	N/A	N/A	N/A		N/A	N/A	N/A
G132K01SS (N/A)	N/A	N/A	N/A		N/A	N/A	N/A
G132K02SS (N/A)	N/A	N/A	N/A		N/A	N/A	N/A
Stainless Steel (Grade 316) (N/A)							
G1321S56 (N/A)	PS 520 10 SS(316)	N/A	N/A		N/A	N/A	N/A
G1322S56 (N/A)	PS 520 20 SS(316)	N/A	N/A		N/A	N/A	N/A
G132H1S56 (N/A)	PS 520 H 10 SS(316)	N/A	N/A		N/A	N/A	N/A
G-132H2S56 (N/A)	PS 520 H 20 SS(316)	N/A	N/A		N/A	N/A	N/A
G1320S1S56 (N/A)	PS 520 EH 10 SS(316)	N/A	N/A		N/A	N/A	N/A
G1320S2S56 (N/A)	PS 520 EH 20 SS(316)	N/A	N/A		N/A	N/A	N/A
G132LS1S56 (N/A)	PS 520 S 10 SS(316)	N/A	N/A		N/A	N/A	N/A
G132LS2S56 (N/A)	PS 520 S 20 SS(316)	N/A	N/A		N/A	N/A	N/A
G132A1S56 (N/A)	PS 520 2T3 10 SS(316)	N/A	N/A		N/A	N/A	N/A
G132A2S56 (N/A)	PS 520 2T3 20 SS(316)	N/A	N/A		N/A	N/A	N/A
G132A0S1S56 (N/A)	N/A	N/A	N/A		N/A	N/A	N/A
G132A0S2S56 (N/A)	N/A	N/A	N/A		N/A	N/A	N/A
G132K01S56 (N/A)	N/A	N/A	N/A		N/A	N/A	N/A
G132K02S56 (N/A)	N/A	N/A	N/A		N/A	N/A	N/A
PVC Coated (Galvanized or Black)							
G1321PVC	N/A	N/A	N/A	B1200 10PVC	N/A	N/A	N/A
G1322PVC	N/A	N/A	N/A	B1200 20PVC	N/A	N/A	N/A
G132H1PVC	N/A	N/A	N/A	B1200H 10PVC	N/A	N/A	N/A
G132H2PVC	N/A	N/A	N/A	B1200H 20PVC	N/A	N/A	N/A
G1320S1PVC	N/A	N/A	N/A	B1200HS 10PVC	N/A	N/A	N/A
G1320S2PVC	N/A	N/A	N/A	B1200HS 20PVC	N/A	N/A	N/A
G132LS1PVC	N/A	N/A	N/A	B1200LS 10PVC	N/A	N/A	N/A
G132LS2PVC	N/A	N/A	N/A	B1200LS 20PVC	N/A	N/A	N/A
G132A1PVC	N/A	N/A	N/A	B1200-2 10PVC	N/A	N/A	N/A
G132A2PVC	N/A	N/A	N/A	B1200-2 20PVC	N/A	N/A	N/A
G132A0S1PVC	N/A	N/A	N/A	B1200-2HS 10PVC	N/A	N/A	N/A
G132A0S2PVC	N/A	N/A	N/A	B1200-2HS 20PVC	N/A	N/A	N/A
G132K01PVC	N/A	N/A	N/A	N/A	N/A	N/A	N/A
G132K02PVC	N/A	N/A	N/A	N/A	N/A	N/A	N/A

G-STRUT® (GREGORY IND.)	ANVIL-STRUT (ANVIL INTERNATIONAL)	B-LINE (EATON)	ELITE STRUT (ELITE COMPONENTS)	ERICO/ERISTRUT (NVENT)	FLEX-STRUT (FLEX STRUT)	FLORIDA STRUT (ZSI-FOSTER)	H-STRUT (HAYDON CORP.)	PHD (PHD MFG.)
Pre-Galvanized - G-134 - 13/16" x 1-5/8"								
G1341	AS 500-PG 10	B54 GALV 120	N/A	C141000PG	FS-500-PG-10		H-164-PG X 10	1301 PG (10)
G1342	AS 500-PG 20	B54 GALV 240	N/A	C142000PG	FS-500-PG-20		H-164-PG X 20	1302 PG (20)
G134H1	AS 500H-PG 10	B54 H17/8 GALV 120	N/A		FS-500-H-PG-10		H-164-RS-PG X 10	1321 PG (10)
G134H2	AS 500H-PG 20	B54 H17/8 GALV 240	N/A		FS-500-H-PG-20		H-164-RS-PG X 20	1322 PG (20)
G1340S1	AS 500EH-PG 10	B54 SH GALV 120	ES C14 UST013	C14HS1000PG	FS-500-SS-PG-10	FS141316-10-PG	H-164-OS-PG X 10	1311 PG (10)
G1340S2	AS 500EH-PG 20	B54 SH GALV 240	ES C14 UST015	C14HS2000PG	FS-500-SS-PG-20	FS141316-20-PG	H-164-OS-PG X 20	1312 PG (20)
G134LS1	AS 500S-PG 10	B54 S GALV 120	N/A		FS-500-SL-PG-10		H-164-OS3-PG X 10	1331 PG (10)
G134LS2	AS 500S-PG 20	B54 S GALV 240	N/A		FS-500-SL-PG-20		H-164-OS3-PG X 20	1332 PG (20)
G134A1	AS 500BTB-PG 10	B54A GALV 120	N/A		FS-501-PG-10		H-164-A-PG X 10	1301A PG (10)
G134A2	AS 500BTB-PG 20	B54A GALV 240	N/A		FS-501-PG-20		H-164-A-PG X 20	1302A PG (20)
G134AOS1			N/A			FS141316BB-10-PG		1311A PG (10)
G134AOS2			N/A			FS141316BB-20-PG		1312A PG (20)
G134K01		B54 K06 GALV 120	N/A		FS-500-KO-PG-10		H-164-KO-PG X 10	1341 PG (10)
G134K02		B54 K06 GALV 240	N/A		FS-500-KO-PG-20		H-164-KO-PG X 20	1342 PG (20)
Green								
G1341POP	AS 500-GR 10	B54 GRN 120	N/A		FS-500-GR-10	N/A	H-164-GRN X 10	N/A
G1342POP	AS 500-GR 20	B54 GRN 240	N/A		FS-500-GR-20	N/A	H-164-GRN X 20	N/A
G134H1POP	AS 500H-GR 10	B54 H17/8 GRN 120	N/A		FS-500-H-GR-10	N/A	H-164-RS-GRN X 10	N/A
G134H2POP	AS 500H-GR 20	B54 H17/8 GRN 240	N/A		FS-500-H-GR-20	N/A	H-164-RS-GRN X 20	N/A
G1340S1POP	AS 500EH-GR 10	B54 SH GRN 120	ES C14 UST014	C14HS1000GN	FS-500-SS-GR-10	N/A	H-164-OS-GRN X 10	N/A
G1340S2POP	AS 500EH-GR 20	B54 SH GRN 240	ES C14 UST016	C14HS2000GN	FS-500-SS-GR-20	N/A	H-164-OS-GRN X 20	N/A
G134LS1POP	AS 500S-GR 10	B54 S GRN 120	N/A	C14S1000GN	FS-500-SL-GR-10	N/A	H-164-OS3-GRN X 10	N/A
G134LS2POP	AS 500S-GR 20	B54 S GRN 240	N/A	C14S2000GN	FS-500-SL-GR-20	N/A	H-164-OS3-GRN X 20	N/A
G134A1POP	AS 500BTB-GR 10	B54A GRN 120	N/A		FS-501-GR-10	N/A	H-164-A-GRN X 10	N/A
G134A2POP	AS 500BTB-GR 20	B54A GRN 240	N/A		FS-501-GR-20	N/A	H-164-A-GRN X 20	N/A
G134AOS1POP			N/A			N/A		N/A
G134AOS2POP			N/A			N/A		N/A
G134K01POP		B54 K06 GRN 120	N/A		FS-500-KO-GR-10	N/A	H-164-KO-GRN X 10	N/A
G134K02POP		B54 K06 GRN 240	N/A		FS-500-KO-GR-20	N/A	H-164-KO-GRN X 20	N/A
Yellow Zinc Dichromate								
G1341YZ		N/A	N/A		N/A	N/A	H-164-ZN X 10	N/A
G1342YZ		N/A	N/A		N/A	N/A	H-164-ZN X 20	N/A
G134H1YZ		N/A	N/A		N/A	N/A	H-164-RS-ZN X 10	N/A
G134H2YZ		N/A	N/A		N/A	N/A	H-164-RS-ZN X 20	N/A
G1340S1YZ		N/A	N/A	C14H1000CG	N/A	N/A	H-164-OS-ZN X 10	N/A
G1340S2YZ		N/A	N/A	C14H2000CG	N/A	N/A	H-164-OS-ZN X 20	N/A
G134LS1YZ		N/A	N/A		N/A	N/A	H-164-OS3-ZN X 10	N/A
G134LS2YZ		N/A	N/A		N/A	N/A	H-164-OS3-ZN X 20	N/A
G134A1YZ		N/A	N/A		N/A	N/A	H-164-A-ZN X 10	N/A
G134A2YZ		N/A	N/A		N/A	N/A	H-164-A-ZN X 20	N/A
G134AOS1YZ		N/A	N/A		N/A	N/A		N/A
G134AOS2YZ		N/A	N/A		N/A	N/A		N/A
G134-K01YZ		N/A	N/A		N/A	N/A	H-164-KO-ZN X 10	N/A
G134K02YZ		N/A	N/A		N/A	N/A	H-164-KO-ZN X 20	N/A
Aluminum Extruded								
G1341AL		B54 AL 120	N/A	N/A	FS-500-AL-10	N/A	H-164-AL X 10	1301 AL (10)
G1342AL		B54 AL 240	N/A	N/A	FS-500-AL-20	N/A	H-164-AL X 20	1302 AL (20)
G134H1AL		B54 H17/8 AL 120	N/A	N/A	FS-500-H-AL-10	N/A	H-164-RS-AL X 10	1321 AL (10)
G134H2AL		B54 H17/8 AL 240	N/A	N/A	FS-500-H-AL-20	N/A	H-164-RS-AL X 20	1322 AL (20)
G1340S1AL		B54 SH AL 120	N/A	N/A	FS-500-SS-AL-10	N/A	H-164-OS-AL X 10	1311 AL (10)
G1340S2AL		B54 SH AL 240	N/A	N/A	FS-500-SS-AL-20	N/A	H-164-OS-AL X 20	1312 AL (20)
G134LS1AL		B54 S AL 120	N/A	N/A	FS-500-SL-AL-10	N/A	H-164-OS3-AL X 10	1331 AL (10)
G134LS2AL		B54 S AL 240	N/A	N/A	FS-500-SL-AL-20	N/A	H-164-OS3-AL X 20	1332 AL (20)
G134A1AL		B54A AL120	N/A	N/A	FS-501-AL-10	N/A	H-164-A-AL X 10	1301A AL (10)
G134A2AL		B54A AL 240	N/A	N/A	FS-501-AL-20	N/A	H-164-A-AL X 20	1302A AL (20)
G134AOS1AL			N/A	N/A		N/A		1311A AL (10)
G134AOS2AL			N/A	N/A		N/A		1312A AL (20)
G134K01AL		B54 K06 AL 120	N/A	N/A	FS-500-KO-AL-10	N/A	H-164-KO-AL 10	1341 AL (10)
G134K02AL		B54 K06 AL 240	N/A	N/A	FS-500-KO-AL-20	N/A	H-164-KO-AL X 20	1342 AL (20)
Galvannealed (WIZcoat™)								
G1341GN	N/A	N/A	N/A	N/A	N/A	N/A	N/A	N/A
G1342GN	N/A	N/A	N/A	N/A	N/A	N/A	N/A	N/A
G134H1GN	N/A	N/A	N/A	N/A	N/A	N/A	N/A	N/A
G134H2GN	N/A	N/A	N/A	N/A	N/A	N/A	N/A	N/A
G1340S1GN	N/A	N/A	N/A	N/A	N/A	N/A	N/A	N/A
G1340S2GN	N/A	N/A	N/A	N/A	N/A	N/A	N/A	N/A
G134LS1GN	N/A	N/A	N/A	N/A	N/A	N/A	N/A	N/A
G134LS2GN	N/A	N/A	N/A	N/A	N/A	N/A	N/A	N/A
G134A1GN	N/A	N/A	N/A	N/A	N/A	N/A	N/A	N/A
G134A2GN	N/A	N/A	N/A	N/A	N/A	N/A	N/A	N/A
G134AOS1GN	N/A	N/A	N/A	N/A	N/A	N/A	N/A	N/A
G134AOS2GN	N/A	N/A	N/A	N/A	N/A	N/A	N/A	N/A
G134K01GN	N/A	N/A	N/A	N/A	N/A	N/A	N/A	N/A
G134K02GN	N/A	N/A	N/A	N/A	N/A	N/A	N/A	N/A

CROSS REFERENCE



G-STRUT® (GREGORY IND.)	POWER-STRUT (ATKORE)	PUPCO (POWER UTILITY PRODUCTS)	SASCO STRUT (SASCO TUBE & ROLLFORM)	SUPERSTRUT (ABB GROUP/T&B)	UNISTRUT (ATKORE)	VERSABAR (VERSABAR CORP.)	WESANCO (ZSI-FOSTER)
Pre-Galvanized - G-134 - 13/16" x 1-5/8"							
G1341	PS 500 10 PG	AS-164-PG (10)	S7G (10)	B1400 10PG	P4100 10PG	VA-4 (10)	W-500 PRE-GALV (10)
G1342	PS 500 20 PG	AS-164-PG (20)	S7G (20)	B1400 20PG	P4100 20PG	VA-4 (20)	W-500 PRE-GALV (20)
G134H1	PS 500 H 10 PG	AS-164-RS-PG (10)	S7H112G (10)	B1400H 10PG	P4100 HS 10PG	VA-4P1.87 (10)	W-500 H PRE-GALV (10)
G134H2	PS 500 H 20 PG	AS-164-RS-PG (20)	S7H112G (20)	B1400H 20PG	P4100 HS 20PG	VA-4P1.87 (20)	W-500 H PRE-GALV (20)
G134OS1	PS 500 EH 10 PG	AS-164-OS-PG (10)	S7SL2G (10)	B1400HS 10PG	P4100 T 10PG	VA-4PLH (10)	W-500 SS PRE-GALV (10)
G134OS2	PS 500 EH 20 PG	AS-164-OS-PG (20)	S7SL2G (20)	B1400HS 20PG	P4100 T 20PG	VA-4PLH (20)	W-500 SS PRE-GALV (20)
G134LS1	PS 500 S 10 PG	AS-164-SL-PG (10)	S7SL4G (10)	B1400LS 10PG	P4100 SL 10PG	VA-4P3S (10)	W-500 SL PRE-GALV (10)
G134LS2	PS 500 S 20 PG	AS-164-SL-PG (20)	S7SL4G (20)	B1400LS 20PG	P4100 SL 20PG	VA-4P3S (20)	W-500 SL PRE-GALV (20)
G134A1	PS 500 2T3 10 PG	AS-164A-PG (10)	S7BB-G (10)	B1400-2 10PG	P4101 10PG	VA-4201 (10)	W-501 PRE-GALV (10)
G134A2	PS 500 2T3 20 PG	AS-164A-PG (20)	S7BB-G (20)	B1400-2 20PG	P4101 20PG	VA-4201 (20)	W-501 PRE-GALV (20)
G134AOS1	PS 500 2T3 EH 10 PG	AS-164A-OS-PG (10)		B1400-2HS 10PG	N/A	N/A	W-501 OS PRE-GALV (10)
G134AOS2	PS 500 2T3 EH 20 PG	AS-164A-OS-PG (20)		B1400-2HS 20PG	N/A	N/A	W-501 OS PRE-GALV (20)
G134K01	N/A	AS-164-KO-PG (10)	S7K06G (10)	N/A	N/A	N/A	W-500 KO PRE-GALV (10)
G134K02	N/A	AS-164-KO-PG (20)	S7K06G (20)	N/A	N/A	N/A	W-500 KO PRE-GALV (20)
Green							
G1341POP	PS 500 10 GR	AS-164-GR (10)		B1400 10GR	P4100 10GR	VA-4 GR(10)	W-500 GREEN (10)
G1342POP	PS 500 20 GR	AS-164-GR (20)		B1400 20GR	P4100 20GR	VA-4 GR(20)	W-500 GREEN (20)
G134H1POP	PS 500 H 10 GR	AS-164-RS-GR (10)		B1400H 10GR	P4100 HS 10GR	VA-4P1.87 GR(10)	W-500 H GREEN (10)
G134H2POP	PS 500 H 20 GR	AS-164-RS-GR (20)		B1400H 20GR	P4100 HS 20GR	VA-4P1.87 GR(20)	W-500 H GREEN (20)
G134OS1POP	PS 500 EH 10 GR	AS-164-OS-GR (10)		B1400HS 10GR	P4100 T 10GR	VA-4PLH GR (10)	W-500 SS GREEN (10)
G134OS2POP	PS 500 EH 20 GR	AS-164-OS-GR (20)		B1400HS 20GR	P4100 T 20GR	VA-4PLH GR (20)	W-500 SS GREEN (20)
G134LS1POP	PS 500 S 10 GR	AS-164-SL-GR (10)		B1400LS 10GR	P4100 SL 10GR	VA-4P3S GR (10)	W-500 SL GREEN (10)
G134LS2POP	PS 500 S 20 GR	AS-164-SL-GR (20)		B1400LS 20GR	P4100 SL 20GR	VA-4P3S GR (20)	W-500 SL GREEN (20)
G134A1POP	PS 500 2T3 10 GR	AS-164A-GR (10)		B1400-2 10GR	P4101 10GR	VA-4201 GR (10)	W-501 GREEN (10)
G134A2POP	PS 500 2T3 20 GR	AS-164A-GR (20)		B1400-2 20GR	P4101 20GR	VA-4201 GR (20)	W-501 GREEN (20)
G134AOS1POP	PS 500 EH 2T3 10 GR	AS-164A-OS-GR (10)		B1400-2HS 10GR	N/A	N/A	W-501 OS GREEN (10)
G134AOS2POP	PS 500 EH 2T3 20 GR	AS-164A-OS-GR (20)		B1400-2HS 20GR	N/A	N/A	W-501 OS GREEN (20)
G134K01POP	N/A	AS-164-KO-GR (10)		N/A	N/A	N/A	W-500 KO GREEN (10)
G134K02POP	N/A	AS-164-KO-GR (20)		N/A	N/A	N/A	W-500 KO GREEN (20)
Yellow Zinc Dichromate							
G1341YZ	PS 500 10 ZD	AS-164-GD (10)			N/A	N/A	
G1342YZ	PS 500 20 ZD	AS-164-GD (20)			N/A	N/A	
G134H1YZ	PS 500 H 10 ZD	AS-164-RS-GD (10)			N/A	N/A	
G134H2YZ	PS 500 H 20 ZD	AS-164-RS-GD (20)			N/A	N/A	
G134OS1YZ	PS 500 EH 10 ZD	AS-164-OS-GD (10)			N/A	N/A	
G134OS2YZ	PS 500 EH 20 ZD	AS-164-OS-GD (20)			N/A	N/A	
G134LS1YZ	PS 500 S 10 ZD	AS-164-SL-GD (10)			N/A	N/A	
G134LS2YZ	PS 500 S 20 ZD	AS-164-SL-GD (20)			N/A	N/A	
G134A1YZ	PS 500 2T3 10 ZD	AS-164A-GD (10)			N/A	N/A	
G134A2YZ	PS 500 2T3 20 ZD	AS-164A-GD (20)			N/A	N/A	
G134AOS1YZ	PS 500 EH 2T3 10 ZD	AS-164A-OS-GD (10)			N/A	N/A	
G134AOS2YZ	PS 500 EH 2T3 20 ZD	AS-164A-OS-GD (20)			N/A	N/A	
G134K01YZ	N/A	AS-164-KO-GD (10)			N/A	N/A	
G134K02YZ	N/A	AS-164-KO-GD (20)			N/A	N/A	
Aluminum Extruded							
G1341AL	PS 500 10 AL	AS-164-AL (10)	S7AL (10)	B1400 10AL	N/A	VA-4 AL(10)	N/A
G1342AL	PS 500 20 AL	AS-164-AL (20)	S7AL (20)	B1400 20AL	N/A	VA-4 AL(20)	N/A
G134H1AL	PS 500 H 10 AL	AS-164-RS-AL (10)	S7H112AL (10)	B1400H 10AL	N/A	VA-4P1.87 AL(10)	N/A
G134H2AL	PS 500 H 20 AL	AS-164-RS-AL (20)	S7H112AL (20)	B1400H 20AL	N/A	VA-4P1.87 AL(20)	N/A
G134OS1AL	PS 500 EH 10 AL	AS-164-OS-AL (10)	S7SL2AL (10)	B1400HS 10AL	N/A	VA-4PLH AL(10)	N/A
G134OS2AL	PS 500 EH 20 AL	AS-164-OS-AL (20)	S7SL2AL (20)	B1400HS 20AL	N/A	VA-4PLH AL(20)	N/A
G134LS1AL	PS 500 S 10 AL	AS-164-SL-AL (10)	S7SL4AL (10)	B1400LS 10AL	N/A	VA-4P3S AL(10)	N/A
G134LS2AL	PS 500 S 20 AL	AS-164-SL-AL (20)	S7SL4AL (20)	B1400LS 20AL	N/A	VA-4P3S AL(20)	N/A
G134A1AL	PS 500 2T3 10 AL	AS-164A-AL (10)	S7BB-AL (10)	B1400-2 10AL	N/A	VA-4201 AL(10)	N/A
G134A2AL	PS 500 2T3 20 AL	AS-164A-AL (20)	S7BB-AL (20)	B1400-2 20AL	N/A	VA-4201 AL(20)	N/A
G134AOS1AL	PS 500 EH 2T3 10 AL	AS-164A-OS-AL (10)		B1400-2HS 10AL	N/A	N/A	N/A
G134AOS2AL	PS 500 EH 2T3 20 AL	AS-164A-OS-AL (20)		B1400-2HS 20AL	N/A	N/A	N/A
G134K01AL	N/A	AS-164-KO-AL (10)	S7K06AL (10)	N/A	N/A	N/A	N/A
G134K02AL	N/A	AS-164-KO-AL (20)	S7K06AL (20)	N/A	N/A	N/A	N/A
Galvannealed (WIZcoat™)							
G1341GN	N/A	N/A	N/A	N/A	N/A	N/A	N/A
G1342GN	N/A	N/A	N/A	N/A	N/A	N/A	N/A
G134H1GN	N/A	N/A	N/A	N/A	N/A	N/A	N/A
G134H2GN	N/A	N/A	N/A	N/A	N/A	N/A	N/A
G134OS1GN	N/A	N/A	N/A	N/A	N/A	N/A	N/A
G134OS2GN	N/A	N/A	N/A	N/A	N/A	N/A	N/A
G134LS1GN	N/A	N/A	N/A	N/A	N/A	N/A	N/A
G134LS2GN	N/A	N/A	N/A	N/A	N/A	N/A	N/A
G134A1GN	N/A	N/A	N/A	N/A	N/A	N/A	N/A
G134A2GN	N/A	N/A	N/A	N/A	N/A	N/A	N/A
G134AOS1GN	N/A	N/A	N/A	N/A	N/A	N/A	N/A
G134AOS2GN	N/A	N/A	N/A	N/A	N/A	N/A	N/A
G134K01GN	N/A	N/A	N/A	N/A	N/A	N/A	N/A
G134K02GN	N/A	N/A	N/A	N/A	N/A	N/A	N/A

G-STRUT® (GREGORY IND.)	ANVIL-STRUT (ANVIL INTERNATIONAL)	B-LINE (EATON)	ELITE STRUT (ELITE COMPONENTS)	ERICO/ERISTRUT (NVENT)	FLEX-STRUT (FLEX STRUT)	FLORIDA STRUT (ZSI-FOSTER)	H-STRUT (HAYDON CORP.)	PHD (PHD MFG.)
Plain, Pickled, & Oiled								
G1341PO	AS 500-PL 10	B54 PLN 120	N/A	N/A	FS-500-PL-10		H-164-PL X 10	1301 PL (10)
G1342PO	AS 500-PL 20	B54 PLN 240	N/A	N/A	FS-500-PL-20		H-164-PL X 20	1302 PL (20)
G134H1PO	AS 500H-PL 10	B42 H178 PLN 120	N/A	N/A	FS-500-H-PL-10		H-164-RS-PL X 10	1321 PL (10)
G134H2PO	AS 500H-PL 20	B42 H178 PLN 240	N/A	N/A	FS-500-H-PL-20		H-164-RS-PL X 20	1322 PL (20)
G134OS1PO	AS 500EH-PL 10	B54 SH PLN 120	N/A	N/A	FS-500-SS-PL-10	FS141316-10-PLAIN	H-164-OS-PL X 10	1311 PL (10)
G134OS2PO	AS 500EH-PL 20	B54 SH PLN 240	N/A	N/A	FS-500-SS-PL-20	FS141316-20-PLAIN	H-164-OS-PL X 20	1312 PL (20)
G134LS1PO	AS 500S-PL 10	B54 S PLN 120	N/A	N/A	FS-500-SL-PL-10		H-164-OS3-PL X 10	1331 PL (10)
G134LS2PO	AS 500S-PL 20	B54 S PLN 240	N/A	N/A	FS-500-SL-PL-20		H-164-OS3-PL X 20	1332 PL (20)
G134A1PO	AS 500BTB-PL 10	B54A PLN 120	N/A	N/A	FS-501-PL-10		H-164-A-PL X 10	1301A PL (10)
G134A2PO	AS 500BTB-PL 20	B54A PLN 240	N/A	N/A	FS-501-PL-20		H-164-A-PL X 20	1302A PL (20)
G134AOS1PO			N/A	N/A		FS141316BB-10-PLAIN		1311A PL (10)
G134AOS2PO			N/A	N/A		FS141316BB-20-PLAIN		1312A PL (20)
G134K01PO		B54 K06 PLN 120	N/A	N/A	FS-500-KO-PL-10		H-164-KO-PL 10	1341 PL (10)
G134K02PO		B54 K06 PLN 240	N/A	N/A	FS-500-KO-PL-20		H-164-KO-PL X 20	1342 PL (20)
Hot-dipped Galvanized								
G1341HDG		B54 HDG 120	N/A	N/A	FS-500-HD-10			1301 HD (10)
G1342HDG		B54 HDG 240	N/A	N/A	FS-500-HD-20			1302 HD (20)
G134H1HDG		B54 H17/8 HDG 120	N/A	N/A	FS-500-H-HD-10			1321 HD (10)
G134H2HDG		B54 H17/8 HDG 240	N/A	N/A	FS-500-H-HD-20			1322 HD (20)
G134OS1HDG		B54 SH HDG 120	N/A	N/A	FS-500-SS-HD-10	FS141316-10-HD		1311 HD (10)
G134OS2HDG		B54 SH HDG 240	N/A	N/A	FS-500-SS-HD-20	FS141316-20-HD		1312 HD (20)
G134LS1HDG		B54 S HDG 120	N/A	N/A	FS-500-SL-HD-10			1331 HD (10)
G134LS2HDG		B54 S HDG 240	N/A	N/A	FS-500-SL-HD-20			1332 HD (20)
G134A1HDG		B54A HDG 120	N/A	N/A	FS-501-HD-10			1301A HD (10)
G134A2HDG		B54A HDG 240	N/A	N/A	FS-501-HD-20			1302A HD (20)
G134AOS1HDG			N/A	N/A		FS141316BB-10-HD		1311A HD (10)
G134AOS2HDG			N/A	N/A		FS141316BB-20-HD		1312A HD (20)
G134K01HDG		B54 K06 HDG 120	N/A	N/A	FS-500-KO-HD-10			1341 HD (10)
G134K02HDG		B54 K06 HDG 240	N/A	N/A	FS-500-KO-HD-20			1342 HD (20)
Stainless Steel Grade 304								
G1341SS		B54 SS4 120	N/A	C141000S4	FS-500-ST4-10		H-164-SS X 10	1301 SS304 (10)
G1342SS		B54 SS4 240	N/A	C142000S4	FS-500-ST4-20		H-164-SS X 20	1302 SS304 (20)
G134H1SS		B54 H17/8 SS4 120	N/A		FS-500-H-ST4-10		H-164-RS-SS X 10	1321 SS304 (10)
G134H2SS		B54 H17/8 SS4 240	N/A		FS-500-H-ST4-20		H-164-RS-SS X 20	1322 SS304 (20)
G134OS1SS		B54 SH SS4 120	N/A	C14HS1000S4	FS-500-SS-ST4-10	FS141316-10-SS	H-164-OS-SS X 10	1311 SS304 (10)
G134OS2SS		B54 SH SS4 240	N/A	C14HS2000S4	FS-500-SS-ST4-20	FS141316-20-SS	H-164-OS-SS X 20	1312 SS304 (20)
G134LS1SS		B54 S SS4 120	N/A		FS-500-SL-ST4-10		H-164-OS3-SS X 10	1331 SS304 (10)
G134LS2SS		B54 S SS4 240	N/A		FS-500-SL-ST4-20		H-164-OS3-SS X 20	1332 SS304 (20)
G134A1SS		B54A SS4 120	N/A		FS-501-ST4-10		H-164-A-SS X 10	1301A SS304 (10)
G134A2SS		B54A SS4 240	N/A		FS-501-ST4-20		H-164-A-SS X 20	1302A SS304 (20)
G134AOS1SS			N/A			FS141316BB-10-SS		1311A SS304 (10)
G134AOS2SS			N/A			FS141316BB-20-SS		1312A SS304 (20)
G134K01SS		B54 K06 SS4 120	N/A		FS-500-KO-ST4-10		H-164-KO-SS X 10	1341 SS304 (10)
G134K02SS		B54 K06 SS4 240	N/A		FS-500-KO-ST4-20		H-164-KO-SS X 20	1342 SS304 (20)
Stainless Steel Grade 316								
G1341SS(316)		B54 SS6 120	N/A	N/A	FS-500-ST6-10		H-164-SS(316) X 10	1301 SS304 (10)
G1342SS(316)		B54 SS6 240	N/A	N/A	FS-500-ST6-20		H-164-SS(316) X 20	1302 SS304 (20)
G134H1SS(316)		B54 H17/8 SS6 120	N/A	N/A	FS-500-H-ST6-10		H-164-RS-SS(316) X 10	1321 SS304 (10)
G134H2SS(316)		B54 H17/8 SS6 240	N/A	N/A	FS-500-H-ST6-20		H-164-RS-SS(316) X 20	1322 SS304 (20)
G134OS1SS(316)		B54 SH SS6 120	N/A	N/A	FS-500-SS-ST6-10	FS141316-10-SS(316)	H-164-OS-SS(316) X 10	1311 SS304 (10)
G134OS2SS(316)		B54 SH SS6 240	N/A	N/A	FS-500-SS-ST6-20	FS141316-20-SS(316)	H-164-OS-SS(316) X 20	1312 SS304 (20)
G134LS1SS(316)		B54 S SS6 120	N/A	N/A	FS-500-SL-ST6-10		H-164-OS3-SS(316) X 10	1331 SS304 (10)
G134LS2SS(316)		B54 S SS6 240	N/A	N/A	FS-500-SL-ST6-20		H-164-OS3-SS(316) X 20	1332 SS304 (20)
G134A1SS(316)		B54A SS6 120	N/A	N/A	FS-501-ST6-10		H-164-A-SS(316) X 10	1301A SS304 (10)
G134A2SS(316)		B54A SS6 240	N/A	N/A	FS-501-ST6-20		H-164-A-SS(316) X 20	1302A SS304 (20)
G134AOS1SS(316)			N/A	N/A		FS141316BB-10-SS(316)		1311A SS304 (10)
G134AOS2SS(316)			N/A	N/A		FS141316BB-20-SS(316)		1312A SS304 (20)
G134K01SS(316)		B54 K06 SS6 120	N/A	N/A	FS-500-KO-ST6-10		H-164-KO-SS(316) X 10	1341 SS304 (10)
G134K02SS(316)		B54 K06 SS6 240	N/A	N/A	FS-500-KO-ST6-20		H-164-KO-SS(316) X 20	1342 SS304 (20)
PVC Coated (Galvanized or Black)								
G1341PVC		N/A	N/A	N/A	N/A	N/A	H-164-PVC X 10	1301 SS 316 (10)
G1342PVC		N/A	N/A	N/A	N/A	N/A	H-164-PVC X 20	1302 SS316 (20)
G134H1PVC		N/A	N/A	N/A	N/A	N/A	H-164-RS-PVC X 10	1321 SS316 (10)
G134H2PVC		N/A	N/A	N/A	N/A	N/A	H-164-RS-PVC X 20	1322 SS316 (20)
G134OS1PVC		N/A	N/A	N/A	N/A	N/A	H-164-OS-PVC X 10	1311 SS316 (10)
G134OS2PVC		N/A	N/A	N/A	N/A	N/A	H-164-OS-PVC X 20	1312 SS316 (20)
G134LS1PVC		N/A	N/A	N/A	N/A	N/A	H-164-OS3-PVC X 10	1331 SS316 (10)
G134LS2PVC		N/A	N/A	N/A	N/A	N/A	H-164-OS3-PVC X 20	1332 SS316 (20)
G134A1PVC		N/A	N/A	N/A	N/A	N/A	H-164-A-PVC X 10	1301A SS316 (10)
G134A2PVC		N/A	N/A	N/A	N/A	N/A	H-164-A-PVC X 20	1302A SS316 (20)
G134AOS1PVC		N/A	N/A	N/A	N/A	N/A		1311A SS316 (10)
G134AOS2PVC		N/A	N/A	N/A	N/A	N/A		1312A SS316 (20)
G134K01PVC		N/A	N/A	N/A	N/A	N/A	H-164-KO-PVC X 10	1341 SS316 (10)
G134K02PVC		N/A	N/A	N/A	N/A	N/A	H-164-KO-PVC X 20	1342 SS316 (20)

CROSS REFERENCE



G-STRUT® (GREGORY IND.)	POWER-STRUT (ATKORE)	PUPCO (POWER UTILITY PRODUCTS)	SASCO STRUT (SASCO TUBE & ROLLFORM)	SUPERSTRUT (ABB GROUP/T&B)	UNISTRUT (ATKORE)	VER SABAR (VER SABAR CORP.)	WESANCO (ZSI-FOSTER)
Plain, Pickled, & Oiled							
G1341PO	PS 500 10 PL	AS-164-BK (10)	S7P (10)	B1400 10B	P4100 10PL	N/A	W-500 PLAIN (10)
G1342PO	PS 500 20 PL	AS-164-BK (20)	S7P (20)	B1400 20B	P4100 20PL	N/A	W-500 PLAIN (20)
G134H1PO	PS 500 H 10 PL	AS-164-RS-BK (10)	S7H112P (10)	B1400H 10B	P4100 HS 10PL	N/A	W-500 H PLAIN (10)
G134H2PO	PS 500 H 20 PL	AS-164-RS-BK (20)	S7H112P (20)	B1400H 20B	P4100 HS 20PL	N/A	W-500 H PLAIN (20)
G134OS1PO	PS 500 EH 10 PL	AS-164-OS-BK (10)	S7SL2P (10)	B1400HS 10B	P4100 T 10PL	N/A	W-500 SS PLAIN (10)
G134OS2PO	PS 500 EH 20 PL	AS-164-OS-BK (20)	S7SL2P (20)	B1400HS 20B	P4100 T 20PL	N/A	W-500 SS PLAIN (20)
G134LS1PO	PS 500 S 10 PL	AS-164-SL-BK (10)	S7SL4P (10)	B1400LS 10B	P4100 SL 10PL	N/A	W-500 SL PLAIN (10)
G134LS2PO	PS 500 S 20 PL	AS-164-SL-BK (20)	S7SL4P (20)	B1400LS 20B	P4100 SL 20PL	N/A	W-500 SL PLAIN (20)
G134A1PO	PS 500 2T3 10 PL	AS-164A-BK (10)	S7BB-P (10)	B1400-2 10B	P4101 10PL	N/A	W-501 PLAIN (10)
G134A2PO	PS 500 2T3 20 PL	AS-164A-BK (20)	S7BB-P (20)	B1400-2 20B	P4101 20PL	N/A	W-501 PLAIN (20)
G134AOS1PO	PS 500 EH 2T3 10 PL	AS-164A-OS-BK (10)		B1400-2HS 10B	N/A	N/A	W-501 PLAIN (10)
G134AOS2PO	PS 500 EH 2T3 20 PL	AS-164A-OS-BK (20)		B1400-2HS 20B	N/A	N/A	W-501 OS PLAIN (20)
G134KO1PO	N/A	AS-164-KO-BK (10)	S7K06P (10)	N/A	N/A	N/A	W-500 KO PLAIN (10)
G134KO2PO	N/A	AS-164-KO-BK (20)	S7K06P (20)	N/A	N/A	N/A	W-500 KO PLAIN (20)
Hot-dipped Galvanized							
G1341HDG	PS 500 10 HG	AS-164-HD (10)	S7HG (10)	B1400 10HDG	P4100 10HG	N/A	W-500 HDGAF (10)
G1342HDG	PS 500 20 HG	AS-164-HD (20)	S7HG (20)	B1400 20HDG	P4100 20HG	N/A	W-500 HDGAF (20)
G134H1HDG	PS 500 H 10 HG	AS-164-RS-HD (10)	S7H112HG (10)	B1400H 10HDG	P4100 HS 10HG	N/A	W-500 H HDGAF (10)
G134H2HDG	PS 500 H 20 HG	AS-164-RS-HD (20)	S7H112HG (20)	B1400H 20HDG	P4100 HS 20HG	N/A	W-500 H HDGAF (20)
G134OS1HDG	PS 500 EH 10 HG	AS-164-OS-HD (10)	S7SL2HG (10)	B1400HS 10HDG	P4100 T 10HG	N/A	W-500 SS HDGAF (10)
G134OS2HDG	PS 500 EH 20 HG	AS-164-OS-HD (20)	S7SL2HG (20)	B1400HS 20HDG	P4100 T 20HG	N/A	W-500 SS HDGAF (20)
G134LS1HDG	PS 500 S 10 HG	AS-164-SL-HD (10)	S7SL4HG (10)	B1400LS 10HDG	P4100 SL 10HG	N/A	W-500 SL HDGAF (10)
G134LS2HDG	PS 500 S 20 HG	AS-164-SL-HD (20)	S7SL4HG (20)	B1400LS 20HDG	P4100 SL 20HG	N/A	W-500 SL HDGAF (20)
G134A1HDG	PS 500 2T3 10 HG	AS-164A-HD (10)	S7BB-HG (10)	B1400-2 10HDG	P4101 10HG	N/A	W-501 HDGAF (10)
G134A2HDG	PS 500 2T3 20 HG	AS-164A-HD (20)	S7BB-HG (20)	B1400-2 20HDG	P4101 20HG	N/A	W-501 HDGAF (20)
G134AOS1HDG	PS 500 EH 2T3 10 HG	AS-164A-OS-HD (10)		B1400-2HS 10HDG	N/A	N/A	W-501 OS HDGAF (10)
G134AOS2HDG	PS 500 EH 2T3 20 HG	AS-164A-OS-HD (20)		B1400-2HS 20HDG	N/A	N/A	W-501 OS HDGAF (20)
G134KO1HDG	N/A	AS-164-KO-HD (10)	S7K06HG (10)	N/A	N/A	N/A	W-500 KO HDGAF (10)
G134KO2HDG	N/A	AS-164-KO-HD (20)	S7K06HG (20)	N/A	N/A	N/A	W-500 KO HDGAF (20)
Stainless Steel Grade 304							
G1341SS	PS 500 10 SS	AS-164-SS4 (10)			N/A	VA-4 SS304(10)	N/A
G1342SS	PS 500 20 SS	AS-164-SS4 (20)			N/A	VA-4 SS304(20)	N/A
G134H1SS	PS 500 H 10 SS	AS-164-RS-SS4 (10)			N/A	VA-4P1.87 SS304(10)	N/A
G134H2SS	PS 500 H 20 SS	AS-164-RS-SS4 (20)			N/A	VA-4P1.87 SS304(20)	N/A
G134OS1SS	PS 500 EH 10 SS	AS-164-OS-SS4 (10)			N/A	VA-4PLH SS304(10)	N/A
G134OS2SS	PS 500 EH 20 SS	AS-164-OS-SS4 (20)			N/A	VA-4PLH SS304(20)	N/A
G134LS1SS	PS 500 S 10 SS	AS-164-SL-SS4 (10)			N/A	VA-4P3S SS304(10)	N/A
G134LS2SS	PS 500 S 20 SS	AS-164-SL-SS4 (20)			N/A	VA-4P3S SS304(20)	N/A
G134A1SS	PS 500 2T3 10 SS	AS-164A-SS4 (10)			N/A	VA-4201 SS304(10)	N/A
G134A2SS	PS 500 2T3 20 SS	AS-164A-SS4 (20)			N/A	VA-4201 SS304(20)	N/A
G134AOS1SS	PS 500 2T3 EH 10 SS	AS-164A-OS-SS4 (10)			N/A	N/A	N/A
G134AOS2SS	PS 500 2T3 EH 20 SS	AS-164A-OS-SS4 (20)			N/A	N/A	N/A
G134KO1SS	N/A	AS-164-KO-SS4 (10)			N/A	N/A	N/A
G134KO2SS	N/A	AS-164-KO-SS4 (20)			N/A	N/A	N/A
Stainless Steel Grade 316							
G1341SS(316)	PS 500 10 SS	AS-164-SS6 (10)			N/A	VA-4 SS304(10)	N/A
G1342SS(316)	PS 500 20 SS	AS-164-SS6 (20)			N/A	VA-4 SS304(20)	N/A
G134H1SS(316)	PS 500 H 10 SS	AS-164-RS-SS4 (10)			N/A	VA-4P1.87 SS304(10)	N/A
G134H2SS(316)	PS 500 H 20 SS	AS-164-RS-SS4 (20)			N/A	VA-4P1.87 SS304(20)	N/A
G134OS1SS(316)	PS 500 EH 10 SS	AS-164-OS-SS4 (10)			N/A	VA-4PLH SS304(10)	N/A
G134OS2SS(316)	PS 500 EH 20 SS	AS-164-OS-SS4 (20)			N/A	VA-4PLH SS304(20)	N/A
G134LS1SS(316)	PS 500 S 10 SS	AS-164-SL-SS4 (10)			N/A	VA-4P3S SS304(10)	N/A
G134LS2SS(316)	PS 500 S 20 SS	AS-164-SL-SS4 (20)			N/A	VA-4P3S SS304(20)	N/A
G134A1SS(316)	PS 500 2T3 10 SS	AS-164A-SS4 (10)			N/A	VA-4201 SS304(10)	N/A
G134A2SS(316)	PS 500 2T3 20 SS	AS-164A-SS4 (20)			N/A	VA-4201 SS304(20)	N/A
G134AOS1SS(316)	PS 500 2T3 EH 10 SS	AS-164A-OS-SS4 (10)			N/A	N/A	N/A
G134AOS2SS(316)	PS 500 2T3 EH 20 SS	AS-164A-OS-SS4 (20)			N/A	N/A	N/A
G134KO1SS(316)	N/A	AS-164-KO-SS4 (10)			N/A	N/A	N/A
G134KO2SS(316)	N/A	AS-164-KO-SS4 (20)			N/A	N/A	N/A
Stainless Steel Grade 316							
G1341PVC	PS 500 10 SS(316)	AS-164-SS6 (10)			N/A	N/A	N/A
G1342PVC	PS 500 20 SS(316)	AS-164-SS6 (20)			N/A	N/A	N/A
G134H1PVC	PS 500 H 10 SS(316)	AS-164-RS-SS6 (10)			N/A	N/A	N/A
G134H2PVC	PS 500 H 20 SS(316)	AS-164-RS-SS6 (20)			N/A	N/A	N/A
G134OS1PVC	PS 500 EH 10 SS(316)	AS-164-OS-SS6 (10)			N/A	N/A	N/A
G134OS2PVC	PS 500 EH 20 SS(316)	AS-164-OS-SS6 (20)			N/A	N/A	N/A
G134LS1PVC	PS 500 S 10 SS(316)	AS-164-SL-SS6 (10)			N/A	N/A	N/A
G134LS2PVC	PS 500 S 20 SS(316)	AS-164-SL-SS6 (20)			N/A	N/A	N/A
G134A1PVC	PS 500 2T3 10 SS(316)	AS-164A-SS6 (10)			N/A	N/A	N/A
G134A2PVC	PS 500 2T3 20 SS(316)	AS-164A-SS6 (20)			N/A	N/A	N/A
G134AOS1PVC	PS 500 EH 2T3 10 SS(316)	AS-164A-OS-SS6 (10)			N/A	N/A	N/A
G134AOS2PVC	PS 500 EH 2T3 20 SS(316)	AS-164A-OS-SS6 (20)			N/A	N/A	N/A
G134KO1PVC	N/A	AS-164-KO-SS6 (10)			N/A	N/A	N/A
G134KO2PVC	N/A	AS-164-KO-SS6 (20)			N/A	N/A	N/A

G-STRUT® (GREGORY IND.)	ANVIL-STRUT (ANVIL INTERNATIONAL)	B-LINE (EATON)	ELITE STRUT (ELITE COMPONENTS)	ERICO/ERISTRUT (NVENT)	FLEX-STRUT (FLEX STRUT)	FLORIDA STRUT (ZSI-FOSTER)	H-STRUT (HAYDON CORP.)	PHD (PHD MFG.)
Channel Nuts - No Spring								
GN800	AS NS EG 1/4" X 20	N224WO	9SNUT025G	NUT0008EG	FS-1/4NS	CNN20025EG	N-800	3004
GN801	AS NS EG 3/8" X 16	N228WO	9SNUT037G	NUT0037EG	FS-3/8NS	CNN30037EG	N-801	3006
GN802	AS NS EG 1/2" X 13	N525WO	9SNUT050G	N/A	FS-1/2NSS	CNN30050EG	N-802	N/A
GN803	AS NS S EG 1/2" X 13	N225WO	N/A	NUT0050EG	FS-1/2NS	CNN40050EG	N-803	3008
GN804	AS NS EG 5/8" X 11	**N255WO (5/8X11X1/2)	N/A	N/A	FS-5/8NS	**CNN40062EG (5/8 X 11 X 1/2)	N-804	N/A
GN805	AS NS EG 3/4" X 10	**N275WO (3/4X10X1/2)	N/A	N/A	FS-3/4NS	**CNN40075EG (3/4 X 10 X 1/2)	N-805	N/A
GN806	AS NS S EG 5/8" X 11	N555WO	9SNUT062G	N/A	FS-5/8NSS	CNN30062EG	N-806	**3009 (5/8 X 1/2)
GN807	AS NS S EG 3/4" X 10	N575WO	9SNUT075G	N/A	N/A	CNN30075EG	N-807	**3010 (3/4 X 1/2)
GN808	AS NS EG 5/16" X 18	**N223WO (5/16X18X1/4)	N/A	NUT0031EG	FS-5/16NS	CNN30031EG	N-808	**3005 (5/16 X 1/4)
GN809	N/A	**N278WO (7/8X9X1/2)	N/A	NUT0087EG	N/A	**CNN40087EG (7/8 X 9 X 1/2)	N-809	**3011 (7/8 X 1/2)
Channel Nuts - Short Spring								
GN810	AS SS EG 1/4" X 20	N524	9SSP2025G	SPRC0025EG	FS-1/4SS	CNS20025EG	N-810	3204
GN811	AS SS EG 3/8" X 16	N528	9SSP2037G	SPRC0037EG	FS-3/8SS	CNS30037EG	N-811	3206
GN812	AS SS EG 1/2" X 13	N525	9SSP2050G	SPRC0050EG	FS-1/2SS	CNS30050EG	N-812	3208
GN814	AS SS EG 5/8" X 11	N555	N/A	SPRC0062EG	FS-5/8SS	CNS30062EG	N-814	3209
GN815	N/A	N575	N/A	SPRC0075EG	N/A	N/A	N-815	3210
GN818	AS SS EG 5/16" X 18	**N523 (5/16X18X1/4)	N/A	SPRC0031EG	FS-5/16SS	CNS30031EG	N-818	3205
Channel Nuts - Regular Spring								
GN820	AS RS EG 1/4" X 20	N224	9SSP1025G	SPRA0025EG	FS-1/4RS	CNR20025EG	N-820	3104
GN821	AS RS EG 3/8" X 16	N228	9SSP1037G	SPRA0037EG	FS-3/8RS	CNR30037EG	N-821	3106
GN822	AS RS EG 1/2" X 13	N/A	N/A	N/A	N/A	CNR30050EG	N-822	N/A
GN823	N/A	**N225 (1/2X13X1/2)	9SSP1050G	SPRA0050EG	FS-1/2RS	CNR40050EG	N-823	3108
GN824	AS RS EG 5/8" X 11	**N255 (5/8 X 11 X 1/2)	N/A	SPRA0062EG	FS-5/8RS	**CNR40062EG (5/8 X 11 X 1/2)	N-824	3109
GN825	AS RS EG 3/4" X 10	**N275 (3/4 X 10 X 1/2)	N/A	SPRA0075EG	FS-3/4RS	**CNR40075EG (3/4 X 10 X 1/2)	N-825	3110
GN828	AS RS EG 5/16" X 18	**N223 (5/16 X 18 X 1/4)	N/A	SPRA0031EG	FS-5/16RS	CNR30031EG	N-828	3105
GN829	AS RS EG 7/8" X 9	**N278 (7/8 X 9 X 1/2)	N/A	SPRA0087EG	FS-7/8RS	**CNR40087EG (7/8 X 9 X 1/2)	N-829	3111
Channel Nuts - Long Spring								
GN830	AS LS EG 1/4" X 20	N724	N/A	SPRD0025RG	FS-1/4LS	CNL20025EG	N-830	3304
GN831	AS LS EG 3/8" X 16	N728	N/A	SPRD0037EG	FS-3/8LS	CNL30037EG	N-831	3306
GN832	AS LS EG 1/2" X 13	N/A	N/A	SPRD0050EG	N/A	N/A	N-832	N/A
GN833	N/A	N725	N/A	N/A	FS-1/2LS	CNL40050EG	N-833	3308
GN834	AS LS EG 5/8" X 11	**N755 (5/8 - 11 X 1/2)	N/A	SPRD0062EG	FS-5/8LS	N/A	N-834	3309
GN835	AS LS EG 3/4" X 10	**N775 (3/4 - 10 X 1/2)	N/A	SPRD0075EG	FS-3/4LS	N/A	N-835	3310
GN838	N/A	**N723 (5/16 X 18 X 1/4)	N/A	N/A	N/A	N/A	N-838	3305
Top Spring Nut								
GTSN800	AS TG EG 1/4" X 20	TN224	9SSPT025G	TSNT0025EG	FS-1/4TG	CNT20025EG	TSN-800	3404
GTSN801	AS TG EG 3/8" X 16	TN228	9SSPT037G	TSNT0037EG	FS-3/8TG	CNT30037EG	TSN-801	3406
GTSN802	AS TG EG 1/2" X 13	TN525	N/A	TSNT0050EG	FS-1/2TGS	CNT30050EG	TSN-802	3408
GTSN808	N/A	**TN223 (5/16 - 18 X 1/4)	N/A	N/A	FS-5/16TG	N/A	TSN-808	N/A
Hex Head Cap Screws								
GHH25050	N/A	1/4 X 1/2 HHCS	N/A	N/A	FS-7400	N/A	HEX HEAD 1/4 X 1/2	N/A
GHH25075	AS 6024 EG 1/4" X 3/4"	1/4 X 3/4 HHCS	N/A	N/A	FS-7401	HCS2507EG	HEX HEAD 1/4 X 3/4	N/A
GHH25100	AS 6024 EG 1/4" X 1	1/4 X 1 HHCS	N/A	N/A	FS-7402	HCS2510EG	HEX HEAD 1/4 X 1	N/A
GHH375075	AS 6024 EG 3/8" X 3/4"	3/8 X 3/4 HHCS	N/A	HSCR3707EG	FS-7403	HCS3707EG	HEX HEAD 3/8 X 3/4	N/A
GHH375100	AS 6024 EG 3/8" X 1"	3/8 X 1 HHCS	N/A	HSCR3710EG	FS-7404	HCS3710EG	HEX HEAD 3/8 X 1	N/A
GHH375125	AS 6024 EG 3/8" X 1 1/4"	3/8 X 1 1/4 HHCS	N/A	HSCR3712EG	FS-7405	HCS3712EG	HEX HEAD 3/8 X 1-1/4	N/A
GHH375150	AS 6024 EG 3/8" X 1 1/2"	3/8 X 1 1/2 HHCS	N/A	HSCR3715EG	FS-7406	HCS3715EG	HEX HEAD 3/8 X 1-1/2	N/A
GHH375200	AS 6024 EG 3/8" X 2"	3/8 X 2 HHCS	N/A	HSCR3720EG	FS-7407	HCS3720EG	HEX HEAD 3/8 X 2	N/A
GHH375225	N/A	3/8 X 2 1/4 HHCS	N/A	HSCR5010EG	FS-7408	N/A	N/A	N/A
GHH50100	AS 6024 EG 1/2" X 1"	1/2 X 1 HHCS	N/A	HSCR5010EG	FS-7409	HCS5010EG	N/A	N/A
GHH50125	AS 6024 EG 1/2" X 1 1/4"	1/2 X 1 1/4 HHCS	N/A	HSCR5012EG	FS-7410	HCS5012EG	N/A	N/A
GHH50150	AS 6024 EG 1/2" X 1 1/2"	1/2 X 1 1/2 HHCS	N/A	HSCR5015EG	FS-7411	HCS5015EG	N/A	N/A
GHH50175	AS 6024 EG 1/2" X 1 3/4"	1/2 X 1 3/4 HHCS	N/A	N/A	FS-7412	HCS5017EG	N/A	N/A
GHH50200	AS 6024 EG 1/2" X 2"	1/2 X 2 HHCS	N/A	HSCR5020EG	FS-7413	HCS5020EG	N/A	FIG. 41 2 X 1/2 PG
GHH50225	N/A	N/A	N/A	N/A	FS-7414	N/A	N/A	FIG. 41 2-1/4 X 1/2 PG
GHH50250	N/A	1/2 X 2 1/2 HHCS	N/A	N/A	FS-7415	N/A	N/A	FIG. 41 2-1/2 X 1/2 PG
Lock Washers								
GLW025	AS 211 EG 1/4"	1/4 LW ZN	N/A	N/A	FS-7430	N/A	LOCK WASHER 1/4	N/A
GLW375	AS 211 EG 3/8"	3/8 LW ZN	N/A	F11000EG	FS-7431	N/A	LOCK WASHER 3/8	FIG.134 3/8 PG
GLW050	AS 211 EG 1/2"	1/2 LW ZN	N/A	F12000EG	FS-7432	N/A	LOCK WASHER 1/2	FIG.134 1/2 PG
Flat Washers								
GFW025	AS 209 EG 1/4"	1/4 FW ZN	N/A	0110025EG	FS-7440	FW 0025EG	FLAT WASHER 1/4	FIG.130 1/4 PG
GFW375	AS 209 EG 3/8"	3/8 FW ZN	N/A	0110037EG	FS-7441	FW 0037EG	FLAT WASHER 3/8	FIG.130 3/8 PG
GFW050	AS 209 EG 1/2"	1/2 FW ZN	N/A	0110050EG	FS-7442	FW 0050EG	FLAT WASHER 1/2	FIG.130 1/2 PG
Fender Washers								
GFDW025	AS 230 EG 1/4"	1/4 X 1 1/4 FFW ZN	N/A	0120025EG	FS-7450	N/A	N/A	N/A
GFDW037	AS 230 EG 3/8"	3/8 X 1 1/4 FFW ZN	N/A	0120037EG	FS-7451	N/A	N/A	FIG.136 3/8 PG
GFDW050	AS 230 EG 1/2"	1/2 X 2 FFW ZN	N/A	0120050EG	FS-7452	N/A	N/A	FIG.136 1/2 PG
Hex Nuts								
GHN025	AS 83 EG 1/4"	1/4 HN ZN	N/A	0100025EG	FS-7460	HN 0025EG	HEX NUT 1/4	FIG.110 1/4 PG
GHN3125	N/A	5/16 HN ZN	N/A	N/A	FS-7461	N/A	HEX NUT 5/16	FIG.110 5/16 PG
GHN375	AS 83 EG 3/8"	3/8 HN ZN	N/A	0100037EG	FS-7462	HN 0037EG	HEX NUT 3/8	FIG.110 3/8 PG
GHN050	AS 83 EG 1/2"	1/2 HN ZN	N/A	0100050EG	FS-7463	HN 0050EG	HEX NUT 1/2	FIG.110 1/2 PG

**ACCESSORIES - Measurements may not be an exact match



G-STRUT® (GREGORY IND.)	POWER-STRUT (ATKORE)	PUPCO (POWER UTILITY PRODUCTS)	SASCO STRUT (SASCO TUBE & ROLLFORM)	SUPERSTRUT (ABB GROUP/T&B)	UNISTRUT (ATKORE)	VERSABAR (VERSABAR CORP.)	WESANCO (ZSI-FOSTER)
Channel Nuts - No Spring							
GN800	PS NS 1/4	CN-NS 1/4 PG	S14W	AB-100 1/4 EG	P3006-1420 EG	VN-1025	W-2-4WS
GN801	PS NS 3/8	CN-NS 3/8 PG	S38W	AB-100-3/8 EG	P3008 EG	VN-1037	W-2-6WS
GN802	PS NS 1/2	CN-NS 1/2-13 X 3/8 PG	S12W	AB-100-1/2 EG	P3013 EG	VN-4050	W-5-8WS
GN803	N/A	CN-NS 1/2-13 X 1/2 PG	N/A	N/A	P3010 EG	VN-1050	W-2-8WS
GN804	N/A	**CN-NS 5/8 X 11 X 7/16 (5/8 X 11)	N/A	AB-100-5/8 EG	P1012 EG	VN-1062	W-2-10WS
GN805	N/A	**CN-NS 3/4 X 10 X 7/16 (3/4 X 10)	N/A	AB-100-3/4 EG	P1023 EG	VN-1075	W-2-12WS
GN806	PS NS 5/8	CN-NS 5/8-11 X 3/8 PG	S58W	N/A	P4012 EG	VN-4062	W-5-10WS
GN807	PS NS 3/4	CN-NS 3/4-10 X 3/8 PG	S34W	N/A	P4023 EG	VN-4075	N/A
GN808	PS NS 5/16	CN-NS 15/16-18 X 3/8 PG	S516W	AB-100-5/16 EG	P3007 EG	VN-1031	W-2-5WS
GN809	PS NS 7/8	**CN-NS 7/8 X 9 X 7/8 (7/8 X 9 X)	S78W	N/A	P1024 EG	N/A	N/A
Channel Nuts - Short Spring							
GN810	PS SS 1/4	CN-SS-1/4-20 X 1/4 PG	S14S	B-100-1/4 EG	P4006-1420 EG	VSN-4025	W-5-4
GN811	PS SS 3/8	CN-SS-3/8-16 X 3/8 PG	S38S	B-100-3/8 EG	P4008 EG	VSN-4037	W-5-6
GN812	PS SS 1/2	CN-SS-1/2-13 X 3/8 PG	S12S	B-100-1/2 EG	P4010 EG	VSN-4050	W-5-8
GN814	PS SS 5/8	CN-SS-5/8-11 X 3/8 PG	S58S	B-100-5/8 EG	P4012-S EG	VSN-4062	W-5-10
GN815	PS SS 3/4	N/A	S34S	N/A	P4023-S EG	VSN-4075	N/A
GN818	PS SS 5/16	CN-SS-5/16-16 X 3/8 PG	S516S	B-100-5/16 EG	P4007 EG	VSN-4031	W-5-5
Channel Nuts - Regular Spring							
GN820	PS RS 1/4	CN-RS-1/4-20 X 1/4 PG	S14	A-100-1/4 EG	P1006-1420 EG	VSN-1025	W-2-4
GN821	PS RS 3/8	CN-RS-3/8-16 X 3/8 PG	S38	A-100-3/8 EG	P1008 EG	VSN-1037	W-2-6
GN822	PS RS 1/2	CN-RS-1/2-13 X 3/8 PG	S12	N/A	N/A	N/A	N/A
GN823	N/A	CN-RS-1/2-13 X 1/2 PG	N/A	A-100-1/2 EG	P1010 EG	VSN-1050	W-2-8
GN824	PS RS 5/8	**CN-RS 5/8 X 11 X 7/16 (5/8 X 11)	S58	A-100-5/8 EG	P1012-S EG	VSN-1062	W-2-10
GN825	PS RS 3/4	**CN-RS 3/4 X 10 X 7/16 (3/4 X 10)	S34	A-100-3/4 EG	P1023-S EG	VSN-1075	W-2-12
GN828	PS RS 5/16	CN-RS-5/16-18 X 3/8 PG	S516	A-100-5/16 EG	P1007 EG	VSN-1031	W-2-5
GN829	PS RS 7/8	**CN-RS 7/8 X 9 X 7/16 (7/8 X 9 X)	S78	A-100-7/8 EG	P1024-S EG	N/A	W-2-14
Channel Nuts - Long Spring							
GN830	PS LS 1/4	CN-LS-1/4-20 X 1/4 PG	N/A	H-100-1/4 EG	P5506-1420 EG	VSN-3025	W-1-4
GN831	PS LS 3/8	CN-LS-3/8-16 X 3/8 PG	N/A	H-100-3/8 EG	P5508 EG	VSN-3037	W-1-6
GN832	PS LS 1/2	N/A	N/A	N/A	N/A	N/A	N/A
GN833	N/A	CN-LS-1/2-13 X 1/2 PG	N/A	H-100-1/2 EG	P5510 EG	VSN-3050	W-1-8
GN834	PS LS 5/8	N/A	N/A	H-100-5/8 EG	N/A	VSN-3062	W-1-10
GN835	PS LS 3/4	N/A	N/A	N/A	N/A	VSN-3075	W-1-12
GN838	N/A	N/A	N/A	N/A	P5507	VSN-3031	N/A
Top Spring Nut							
GTSN800	PS TG 1/4	CN-TG-1/4-20 X 1/4 PG	N/A	N/A	P1006T1420	VSN-1025-TMS	W-2-4TL
GTSN801	PS TG 3/8	CN-TG-3/8-16 X 3/8 PG	N/A	N/A	P1008T	VSN-1037-TMS	W-2-6TL
GTSN802	PS TG 1/2	CN-TG-1/2-13 X 3/8 PG	N/A	N/A	P1010T	N/A	W-5-8TL
GTSN808	N/A	N/A	N/A	N/A	N/A	VSN-1031-TMS	W-2-5TL
Hex Head Cap Screws							
GHH25050	N/A	N/A	N/A	N/A	HHCS025044EG	N/A	W-7400
GHH25075	PS 6024 1/4 X 3/4	HD-HHCS-1/4 X 3/4 PG	N/A	N/A	HHCS025075EG	HEX SCREW 1/4 X 3/4	W-7401
GHH25100	PS 6024 1/4 X 1	HD-HHCS-1/4 X 1 PG	N/A	E-142-1/4 X 1 EG	N/A	N/A	W-7402
GHH375075	PS 6024 3/8 X 3/4	HD-HHCS-3/8 X 3/4 PG	N/A	N/A	HHCS037075EG	HEX SCREW 3/8 X 3/4	W-7403
GHH375100	PS 6024 3/8 X 1	HD-HHCS-3/8 X 1 PG	N/A	E-142-3/8 X 1 EG	HHCS037100EG	HEX SCREW 3/8 X 1	W-7404
GHH375125	PS 6024 3/8 X 1 1/4	HD-HHCS-3/8 X 1-1/4 PG	N/A	N/A	HHCS037125EG	HEX SCREW 3/8 X 1-1/4	W-7405
GHH375150	PS 6024 3/8 X 1 1/2	HD-HHCS-3/8-1-1/2 PG	N/A	E-142-3/8 X 1-1/2 EG	HHCS037150EG	HEX SCREW 3/8 X 1-1/2	W-7406
GHH375200	PS 6024 3/8 X 2	HD-HHCS-3/8 X 2 PG	N/A	N/A	HHCS037200EG	HEX SCREW 3/8 X 2	W-7407
GHH375225	N/A	N/A	N/A	N/A	HHCS037225EG	HEX SCREW 3/8 X 2-1/4	W-7408
GHH50100	PS 6024 1/2 X 1	HD-HHCS-1/2 X 1 PG	N/A	N/A	HHCS050094EG	N/A	N/A
GHH50125	PS 6024 1/2 X 1 1/4	HD-HHCS-1/2 X 1-1/4 PG	N/A	N/A	HHCS050119EG	N/A	W-7410
GHH50150	PS 6024 1/2 X 1 1/2	HD-HHCS-1/2 X 1-1/2 PG	N/A	E142 1/2 X 1-1/2 EG	HHCS050150EG	HEX SCREW 1/2 X 1-1/2	W-7411
GHH50175	PS 6024 1/2 X 1 3/4	HD-HHCS-1/2 X 1-3/4 PG	N/A	N/A	HHCS050175EG	HEX SCREW 1/2 X 1-3/4	W-7412
GHH50200	PS 6024 1/2 X 2	HD-HHCS-1/2 X 2 PG	N/A	N/A	HHCS050200EG	HEX SCREW 1/2 X 2	W-7413
GHH50225	N/A	N/A	N/A	N/A	HHCS050225EG	HEX SCREW 1/2 X 2-1/4	W-7414
GHH50250	N/A	N/A	N/A	N/A	HHCS050250EG	HEX SCREW 1/2 X 2-1/2	W-7415
Lock Washers							
GLW025	PS 211 1/4	HG-FIG52L-1/4 PG	N/A	E-148-1/4 EG	HLKW025EG	N/A	W-7430
GLW375	PS 211 3/8	HG-FIG52L-3/8 PG	N/A	E-148-3/8 EG	HLKW037EG	LOCK WASHER 3/8	W-7431
GLW050	PS 211 1/2	HG-FIG52L-1/2 PG	N/A	E-148-1/2 EG	HLKW050EG	LOCK WASHER 1/2	W-7432
Flat Washers							
GFW025	PS 209 1/4	HD-FW-1/4 PG	N/A	E-147-1/4 EG	HFLW025EG	FLAT WASHER 1/4	W-7440
GFW375	PS 209 3/8	HD-FW-3/8 PG	N/A	E-147-3/8 EG	HFLW037EG	FLAT WASHER 3/8	W-7441
GFW050	PS 209 1/2	HD-FW-1/2 PG	N/A	E-147-1/2 EG	HFLW050EG	FLAT WASHER 1/2	W-7442
Fender Washers							
GFDW025	PS 230 1/4	HG-FIG52R-1/4 PG	N/A	EF-147-1/4 EG	N/A	FEN-25	W-7450
GFDW037	PS 230 3/8	HG-FIG52R-3/8 PG	N/A	EF-147-3/8 EG	N/A	FEN-37	W-7451
GFDW050	PS 230 1/2	HG-FIG52R-1/2 PG	N/A	N/A	N/A	FEN-50	W-7452
Hex Nuts							
GHN025	PS 83 1/4	HD-HN-1/4 PG	N/A	E-145 1/4 EG	HHXN025EG	HEX NUTS 1/4	W-7460
GHN3125	N/A	N/A	N/A	N/A	HHXN031EG	HEX NUTS 5/16	W-7461
GHN375	PS 83 3/8	HD-HN-3/8 PG	N/A	E-145 3/8 EG	HHXN037EG	HEX NUTS 3/8	W-7462
GHN050	PS 83 1/2	HD-HN-1/2 PG	N/A	E-145 1/2 EG	HHXN050EG	HEX NUTS 1/2	W-7463

** ACCESSORIES - Measurements may not be an exact match

G-STRUT® (GREGORY IND.)	ANVIL-STRUT (ANVIL INTERNATIONAL)	B-LINE (EATON)	ELITE STRUT (ELITE COMPONENTS)	ERICO/ERISTRUT (INVENT)	FLEX-STRUT (FLEX STRUT)	FLORIDA STRUT (ZSI-FOSTER)	H-STRUT (HAYDON CORP.)	PHD (PHD MFG.)
Flat Head Machine Screws								
GFH062	N/A	1/4 X 5/8 SFHMS ZN	N/A	N/A	FS-7420	N/A	N/A	N/A
GFH100	N/A	5/16 X 1 SFHMS ZN	N/A	N/A	FS-7421	N/A	FLAT HEAD SCREW 5/16 X 1	N/A
GFH200	N/A	3/8 X 2 SFHMS ZN	N/A	N/A	FS-7422	N/A	FLAT HEAD SCREW 3/8 X 2	N/A
GFH225	N/A	3/8 X 2 1/4 SFHMS ZN	N/A	N/A	FS-7423	N/A	FLAT HEAD SCREW 3/8 X 2-1/4	N/A
GFH250	N/A	3/8 X 2 1/2 SFHMS ZN	N/A	N/A	FS-7424	N/A	FLAT HEAD SCREW 3/8 X 2-1/2	N/A
Round Head Machine Screws								
GRH1075	N/A	1/4 X 3/4 SRHMS ZN	53012	N/A	FS-7471A	N/A	ROUND HEAD SCREW 1/4 X 3/4	N/A
GRH1100	N/A	1/4 X 1 SRHMS ZN	53016	N/A	FS-7471	N/A	ROUND HEAD SCREW 1/4 X 1	N/A
GRH1125	N/A	1/4 X 1-1/4 SRHMS ZN	53020	N/A	FS-7472	N/A	ROUND HEAD SCREW 1/4 X 1-1/4	N/A
GRH2100	N/A	5/16 X 1 SRHMS ZN	N/A	N/A	FS-7473	N/A	ROUND HEAD SCREW 5/16 X 1	N/A
GRH2125	N/A	5/16 X 1-1/4 SRHMS ZN	N/A	N/A	FS-7474	N/A	ROUND HEAD SCREW 5/16 X 1-1/4	N/A
GRH1150	N/A	5/16 X 1-1/2 SRHMS ZN	N/A	N/A	FS-7475	N/A	N/A	N/A
GRH3100	N/A	3/8 X 1 SRHMS ZN	53216	N/A	FS-7476	N/A	N/A	N/A
GRH1025	N/A	3/8 X 1-1/4 SRHMS ZN	53220	N/A	FS-7477	N/A	N/A	N/A
GRH2150	N/A	3/8 X 1-1/2 SRHMS ZN	53224	N/A	FS-7478	N/A	N/A	N/A
GRH1250	N/A	3/8 X 2-1/2 SRHMS ZN	N/A	N/A	FS-7479	N/A	N/A	N/A
Square Nuts								
GSN025	AS 6108 EG 1/4"	N/A	N/A	SQNT0025EG	FS-7480	N/A	SQUARE NUTS 1/4	N/A
GSN3125	AS 6108 EG 5/16"	N/A	N/A	N/A	FS-7481	N/A	SQUARE NUTS 5/16	N/A
GSN375	AS 6108 EG 3/8"	N/A	N/A	SQNT0037EG	FS-7482	N/A	SQUARE NUTS 3/8	N/A
GSN050	AS 6108 EG 1/2"	1/2 SQN ZN	N/A	SQNT0050EG	FS-7483	N/A	SQUARE NUTS 1/2	N/A
All-Thread Rod								
GAT025		ATR 1/4 ZN	59703	0502510EG	FS-7124	N/A	THREADED ROD 1/4	FIG. 21 1/4 X 20
GAT037		ATR 3/8 ZN	59706	0503710EG	FS-7125	N/A	THREADED ROD 3/8	FIG. 21 3/8 X 16
GAT050		ATR 1/2 ZN	59708	0505010EG	FS-7126	N/A	THREADED ROD 1/2	FIG. 21 1/2 X 13
GAT062		ATR 5/8 ZN	59710	0506210EG	FS-7127	N/A	THREADED ROD 5/8	FIG. 21 5/8 X 11
GAT075		ATR 3/4 ZN	N/A	0507510EG	FS-7128	N/A	THREADED ROD 3/4	FIG. 21 3/4 X 10
Rod Couplers								
GRC025		B655-1/4 ZN	59604	0250025EG	FS-7134	RC0025EG	ROD COUPLER 1/4	FIG. 100 1/4 PG
GRC037		B655-3/8 ZN	N/A	0250037EG	FS-7135	RC0037EG	ROD COUPLER 3/8	FIG. 100 3/8 PG
GRC050		B655-1/2 ZN	59608	0250050EG	FS-7136	RC0050EG	ROD COUPLER 1/2	FIG. 100 1/2 PG
GRC062		B655-5/8 ZN	N/A	0250062EG	FS-7137	N/A	ROD COUPLER 5/8	FIG. 100 5/8 PG
GRC075		B655-3/4 ZN	N/A	0250075EG	FS-7138	N/A	ROD COUPLER 3/4	FIG. 100 3/4 PG
Square Washer (1 5/8" X 1 5/8")								
G201025	AS 619 EG 1/4"	N/A	N/A	N/A	FS-5003-1/4	F10 0025EG	N/A	5000
G201037	AS 619 EG 3/8"	B200 ZN	N/A	F140000EG	FS-5003-3/8	F11 0037EG	F-201 3/8	5001
G201050	AS 619 EG 1/2"	N/A	N/A	F150000EG	FS-5003-1/2	F12 0050EG	F-201-1/2	5002
G201062	AS 619 EG 5/8"	N/A	N/A	F160000EG	FS-5003-5/8	F13 0062EG	F-201-5/8	5003
G201075	AS 619 EG 3/4"	N/A	N/A	F170000EG	FS-5003-3/4	F14 0075EG	F-201-3/4	5004
No Turn Square Washer								
G202025	AS 2504 EG 1/4"	N/A	N/A	N/A	FS-5004-1/4	F20 0025EG	F-201-IN-1/4"	5005
G202037	AS 2504 EG 3/8"	B200D ZN	N/A	F110000EG	FS-5004-3/8	F21 0037EG	F-201-IN-3/8"	5006
G202050	AS 2504 EG 1/2"	N/A	N/A	F120000EG	FS-5004-1/2	F22 0050EG	F-201-IN-1/2"	5007
G202062	N/A	N/A	N/A	F120062EG	FS-5004-5/8	F23 0062EG	N/A	5008
G202075	N/A	N/A	N/A	F120075EG	FS-5004-3/4	F24 0075EG	N/A	5009
2-Hole Flat Plate Connector								
G2031	N/A	B528 ZN	N/A	N/A	N/A	N/A	F-202	5011
G2032	AS 620 EG	N/A	N/A	N/A	FS-5007	F30 0000EG	F-203	5010
G2033	N/A	B340 ZN	N/A	F220000EG	N/A	F34 0000EG	F-204	5012
4-Hole Splice Plate								
G205	AS 888 EG	B341 ZN	N/A	F230000EG	FS-5009	F32 0000EG	F-205	5015
G2051	N/A	B504 ZN	N/A	N/A	FS-5025	F35 0000EG	N/A	5017
3-Hole Splice Plate								
G206	AS 602 EG	B141 ZN	N/A	F200000EG	FS-5008	F31 0000EG	F-206-2	**5013 (5-3/8 X 1-7/8)
G2061	N/A	B557 ZN	N/A	N/A	N/A	N/A	F-206-1	5014
3-Hole Swivel								
G207	AS 617 EG	N/A	N/A	N/A	FS-5012	N/A	F-207	N/A
2-Hole Swivel								
G2071	N/A	N/A	N/A	N/A	FS-5011	**F40 0000EG (5-1/4 X 3-3/4)	N/A	5020
5-Hole Splice Plate								
G208	N/A	B342 ZN	N/A	N/A	FS-5010	F33 0000EG	N/A	5019
3-Hole Flat Angle Plate								
G210	AS 718 EG	B140 ZN	N/A	F360000EG	FS-5021	F50 0000EG	F-210	5025
3-Hole Corner Connector								
G211	AS 744 EG	B135 ZN	N/A	N/A	FS-5019	F52 0000EG	F-211	5045
3-Hole Connector Plate								
G212	AS 925 EG	B337 ZN	N/A	N/A	N/A	F61 0000EG	F-212	5065
4-Hole Tee Plate								
G213	AS 714 EG	B133 ZN	N/A	F250000EG	FS-5022	F60 0000EG	F-213	5035
4-Hole Corner Joiner Plate								
G214	AS 719 EG	B143 ZN	N/A	F370000EG	FS-5020	F51 0000EG	F-214	5030
5-Hole Cross Plate								
G216	AS 712 EG	B132 ZN	N/A	N/A	FS-5023	F70 0000EG	F-216	5040

** ACCESSORIES - Measurements may not be an exact match



G-STRUT • 4100 13th Street, SW • Canton, Ohio 44710
Call 866-997-8788 • Fax 330-477-0626 • www.gstrut.com

G-STRUT® (GREGORY IND.)	POWER-STRUT (ATKORE)	PUPCO (POWER UTILITY PRODUCTS)	SASCO STRUT (SASCO TUBE & ROLLFORM)	SUPERSTRUT (ABB GROUP/T&B)	UNISTRUT (ATKORE)	VERSABAR (VERSABAR CORP.)	WESANCO (ZSI-FOSTER)
Flat Head Machine Screws							
GFH062	N/A	N/A	N/A	N/A	HFMS025062EG	FLAT HEAD SCREWS 1/4 X 5/8	W-7420
GFH100	N/A	N/A	N/A	N/A	HFMS031100EG	FLAT HEAD SCREWS 5/16 X 1	N/A
GFH200	PS 6091 3/8" X 2"	N/A	N/A	N/A	N/A	FLAT HEAD SCREWS 3/8 X 2	N/A
GFH225	PS 6091 3/8" X 2-1/4"	N/A	N/A	N/A	N/A	FLAT HEAD SCREWS 3/8 X 2-1/4	N/A
GFH250	N/A	N/A	N/A	N/A	N/A	FLAT HEAD SCREWS 3/8 X 2-1/2	W-7424
Round Head Machine Screws							
GRH1075	PS 6072 1/4 X 3/4	N/A	N/A	N/A	HRMS025075EG	1/4" X 3/4"	W-7470
GRH1100	PS 6072 1/4 X 1	N/A	N/A	N/A	HRMS025100EG	1/4" X 1"	W-7471
GRH1125	PS 6072 1/4 X 1-1/4	N/A	N/A	N/A	N/A	N/A	W-7472
GRH2100	N/A	N/A	N/A	N/A	HRMS031100EG	5/16" X 1"	W-7473
GRH2125	N/A	N/A	N/A	N/A	HRMS031125EG	5/16" X 1-1/4"	W-7474
GRH1150	N/A	N/A	N/A	N/A	N/A	N/A	W-7475
GRH3100	PS 6072 3/8 X 1	N/A	N/A	N/A	HRMS037100	3/8 X 1"	W-7476
GRH1025	PS 6072 3/8 X 1-1/4	N/A	N/A	N/A	HRMS037125EG	3/8 X 1-1/4"	W-7477
GRH2150	PS 6072 3/8 X 1-1/2	N/A	N/A	N/A	HRMS037150EG	3/8 X 1-1/2"	W-7478
GRH1250	N/A	N/A	N/A	N/A	N/A	3/8 X 2-1/2"	W-7479
Square Nuts							
GSN025	PS 6108 1/4	N/A	N/A	AB 102 1/4 EG	HSQN025EG	1/4"	W-7480
GSN3125	PS 6108 5/16	N/A	N/A	N/A	HSQN031EG	5/16"	W-7481
GSN375	PS 6108 3/8	N/A	N/A	AB 102 3/8 EG	HSQN037EG	3/8"	W-7482
GSN050	PS 6108 1/2	N/A	N/A	AB 102 1/2 EG	HSQN050EG	1/2"	W-7483
All-Thread Rod							
GAT025	PS 146 1/4 EG	HG-FIG. 51 1/4 PG	N/A	H-104-1/4 EG	HTHR025	VTR-25-6	W-7124
GAT037	PS 146 3/8 EG	HG-FIG. 51 3/8 PG	N/A	H-104-3/8 EG	HTHR037	VTR-37-6	W-7125
GAT050	PS 146 1/2 EG	HG-FIG. 51 1/2 PG	N/A	H-104-1/2 EG	HTHR050	VTR-50-6	W-7126
GAT062	PS 146 5/8 EG	HG-FIG. 51 5/8 PG	N/A	H-104-5/8 EG	HTHR062	VTR-62-6	W-7127
GAT075	PS 146 3/4 EG	HG-FIG. 51 3/4 PG	N/A	H-104-3/4 EG	HTHR075	N/A	W-7128
Rod Couplers							
GRC025	PS 135 1/4	HD-RC 1/4 PG	N/A	H-119-1/4 EG	HRCN025	VTRC-25	W-7134
GRC037	PS 135 3/8	HD-RC 3/8 PG	N/A	H-119-3/8 EG	HRCN037	VTRC-37	W-7135
GRC050	PS 135 1/2	HD-RC 1/2 PG	N/A	N/A	HRCN050	VTRC-50	W-7136
GRC062	PS 135 5/8	HD-RC 5/8 PG	N/A	H-119-5/8 EG	HRCN062	VTRC-62	W-7137
GRC075	PS 135 3/4	HD-RC 3/4 PG	N/A	H-119-3/4 EG	HRCN075	N/A	W-7138
Square Washer (1 5/8" X 1 5/8")							
G201025	PS 619 1/4	FF-AS619-1/4 PG	N/A	AB-241-1/4 EG	N/A	N/A	N/A
G201037	PS 619 3/8	FF-AS619-3/8 PG	N/A	AB-241-3/8 EG	P1063	VF-1101-5/16	W-5053
G201050	PS 619 1/2	FF-AS619-1/2 PG	N/A	AB-241-1/2 EG	P1064	VF-1101-1/2	W-5053
G201062	PS 619 5/8	FF-AS619-5/8 PG	N/A	AB-241-5/8 EG	P1964	VF-1101-5/8	W-5054
G201075	PS 619 3/4	FF-AS619-3/4 PG	N/A	AB-241-3/4 EG	P2471	VF-1101-3/4	W-5056
No Turn Square Washer							
G202025	PS 2504 1/4	FF-AS2504-1/4 PG	N/A	AB-241L-1/4 EG	N/A	N/A	N/A
G202037	PS 2504 3/8	FF-AS2504-3/8 PG	N/A	AB-241L-3/8 EG	P2863	VF-1101N-5/16	W-5003
G202050	PS 2504 1/2	FF-AS2504-1/2 PG	N/A	AB-241L-1/2 EG	P2864	VF-1101N-1/2	W-5003
G202062	N/A	FF-AS2504-5/8 PG	N/A	AB-241L-5/8 EG	N/A	VF-1101N-5/8	W-5005
G202075	N/A	FF-AS2504-3/4 PG	N/A	N/A	N/A	VF-1101N-3/4	W-5006
2-Hole Flat Plate Connector							
G2031	N/A	N/A	N/A	N/A	N/A	VF-1211	N/A
G2032	PS 601	FF-AS601-3-1/2 X 1-7/8 PG	S110P-HG	AB-206 EG	P1065	VF-1201	W-5007
G2033	PS 620	FF-AS620-3-1/4 X 1-5/8 PG	N/A	N/A	P1924	VF-1204	W-5013
4-Hole Splice Plate							
G205	PS 888	FF-AS888 - 7-1/4 PG	S114P-HG	X-207 EG	P1067	VF-1402	W-5009
G2051	N/A	FF-AS621 - 3-1/2 X 3-1/4 PG	N/A	N/A	P2079	VF-1412	N/A
3-Hole Splice Plate							
G206	PS-602	FF-AS602 - 5-3/5 PG	S111P-HG	AB-207 EG	P1066	N/A	G-5008
G2061	PS-621	N/A	S113P-HG	N/A	P1925	VF-1306	N/A
3-Hole Swivel							
G207	PS 617	**FF-AS617 PG	N/A	AB-240 EG	P2324	N/A	N/A
2-Hole Swivel							
G2071	PS 618	**FF-AS618 PG	N/A	N/A	P2325	VF-1203	W-5011
5-Hole Splice Plate							
G208	PS 889	FF-AS888-5 EG	N/A	X-208 EG	P1941	VF-1506	W-5010
3-Hole Flat Angle Plate							
G210	PS 718	FF-AS718 EG	S119P-HG	AB-219 EG	P1036	VF-1301	W-5021
3-Hole Corner Connector							
G211	PS 744	FF-AS744 EG	S122P-HG	AB-255 EG	P1334	VF-1304	N/A
3-Hole Connector Plate							
G212	PS 925	FF-AS925 EG	S126P-HG	N/A	P1356	VF-1305	N/A
4-Hole Tee Plate							
G213	PS 714	FF-AS714 EG	S120P-HG	AB-220 EG	P1031	VF-1401	W-5022
4-Hole Corner Joiner Plate							
G214	PS 719	FF-AS718-4 EG	S123P-HG	N-219 EG	P1380A	VF-1406A	W-5025
5-Hole Cross Plate							
G216	PS 712	FF-AS712 EG	S121P-HG	AB-253 EG	P1028	VF-1501	W-5023

** ACCESSORIES - Measurements may not be an exact match

G-STRUT® (GREGORY IND.)	ANVIL-STRUT (ANVIL INTERNATIONAL)	B-LINE (EATON)	ELITE STRUT (ELITE COMPONENTS)	ERICO/ERISTRUT (NVENT)	FLEX-STRUT (FLEX STRUT)	FLORIDA STRUT (ZSI-FOSTER)	H-STRUT (HAYDON CORP.)	PHD (PHD MFG.)
4-Hole Connector								
G217	AS 747 EG	B136 ZN	N/A	N/A	FS-5026	F62 0000EG	F-217	5075
4-Hole Corner Connector								
G218	AS 750 EG	B142 ZN	N/A	N/A	FS-5024	F53 0000EG	F-218	5050
5-Hole Connector								
G219	AS 854 EG	B532 ZN	N/A	N/A	FS-5027	F63 0000EG	F-219	5080
5-Hole Corner Connector								
G2191	AS 2190 EG	B556 ZN	N/A	N/A	N/A	F54 0000EG	F-221	5060
7-Hole Connector								
G220	AS 2112 EG	B334 ZN	N/A	N/A	N/A	F71 0000EG	F-220	5095
6-Hole Tee Corner Connector								
G221	N/A	B339 ZN	N/A	N/A	N/A	N/A	N/A	5085
6-Hole Staggered Hole Connector								
G222	N/A	B568 ZN	N/A	N/A	N/A	N/A	N/A	5090
2-Hole Corner Angle								
G301	N/A	B359 ZN	N/A	N/A	N/A	L14 0000EG	N/A	5110
2-Hole Connection Angle								
G302	AS 603 EG	N/A	N/A	L110000EG	FS-5103	L11 0000EG	A-302	**5112 (2-1/16 X
2-Hole Corner Angle								
G3031	AS 2144 3	B359 ZN	N/A	L120300RG	N/A	N/A	A-338-1	5115
G3032	AS 2144 3-1/2	B360 ZN	N/A	L120350EG	N/A	L15 0000EG	A-338-2	5116
G3033	AS 2144 4	B361 ZN	N/A	L120400EG	N/A	L16 0000EG	A-338-3	5118
2-Hole No-Twist Corner Angle (2 Indents)								
G304	AS 806 EG	**B231 ZN (2-1/4 X 2-1/4)	N/A	N/A	FS-5104	**L10 0000EG (2-1/8 X 2-1/8)	A-304	5119
2-Hole Open Angle								
G305	**AS 633 EG (3-1/4 X 2-3/8)	N/A	N/A	N/A	N/A	N/A	N/A	N/A
G3051	N/A	N/A	N/A	N/A	N/A	?	N/A	N/A
3-Hole Corner Angle								
G306	N/A	B103 ZN	N/A	L190000EG	FS-5112	L21 0000EG	A-306	5121
G3063	N/A	N/A	N/A	L200000EG	**FS-5113 (3-7/8 X 1-7/8)	N/A	N/A	**5122 (3-15/16 X
1-Hole 90° Corner Angle								
G3061	AS 921 A EG	**B420-378 ZN (3-7/8X1-7/8)	N/A	N/A	N/A	**L70 0000EG (3-7/8 X 1-7/8)	N/A	5101
G3062	AS 921 B EG	**B420-578 ZN (5-7/8X1-7/8)	N/A	N/A	N/A	**L71 0000EG (5-7/8 X 1-7/8)	N/A	5103
G3063	AS 921 C EG	**B420-778 ZN (7-7/8X1-7/8)	N/A	N/A	N/A	**L72 0000EG (7-7/8 X 1-7/8)	N/A	5105
G3064	AS 921 D EG	**B420-978 ZN (9-7/8X1-7/8)	N/A	N/A	N/A	**L73 0000EG (9-7/8 X 1-7/8)	N/A	5107
3-Hole Corner Shelf Angle								
G3071	N/A	B125 ZN	N/A	N/A	**FS-5110 (3-1/2 X 2-1/4)	**L22 0000EG (3-1/2 X 2-1/4)	N/A	5180
4-Hole Corner Shelf Angle								
G308	N/A	B 485 ZN	N/A	N/A	N/A	N/A	N/A	5186
4-Hole Joint Connector Angle								
G309	N/A	B118 ZN	N/A	N/A	FS-5109	N/A	A-309	**5185 (4-3/16 X
4-Hole Duplex Corner Angle								
G310	N/A	B126 ZN	N/A	N/A	N/A	L32 0000EG	A-310	5200
4-Hole Corner Angle								
G311	AS 607 EG	B104SH ZN	N/A	L220000EG	FS-5123	L31 0000EG	A-311	5130
4-Hole Angle								
G3111	N/A	**B115ZN (3-3/4 X 3-15/16)	N/A	N/A	FS-5125	L13 0000EG	N/A	5131
4-Hole Bent Tee								
G312	AS 715 EG	**B357 ZN (5-3/8 X 2-1/16)	N/A	**L270000EG (5-3/8 X 1-15/16)	FS-5120?	**L50 0000EG (5-3/8 X 1-7/8)	A-312	5150
5-Hole Duplex Corner Angle								
G313	N/A	B127 ZN	N/A	N/A	**FS-5117 (3-1/2 X 4-1/8)	**L33 0000EG (3-1/2 X 4-1/8)	**A-313 (4-1/8 X 3-1/20)	5205
5-Hole Joint Connector Angle								
G314	AS 927 EG	B533 ZN	N/A	N/A	N/A	L23 0000EG	A-314	5190
Slotted Joint Connector Angle								
G315	AS 689 A EG	B112 ZN	N/A	N/A	FS-5130	L45 0000EG	A-315	5250
G3151	AS 689 B EG	B113 ZN	N/A	N/A	FS-5131	L46 0000EG	A-315-1	N/A
2-Hole Closed Angle								
G3171	AS 624 EG 45	B155 ZN	N/A	L470450EG	FS-5142-45	L61 0000EG 45	A-317-45	5361
G3172	**AS 624 EG 67-1/2)	**B158 ZN (67-1/2)	N/A	N/A	N/A	L61 0000EG 67	N/A	**5364 (67-1/2)
2-Hole Open Angle Bracket								
G3191	AS 633 EG 82 1/2	B147 ZN	N/A	N/A	N/A	L60 0000EG 82 1/2	A-319-1	5311
G3192	AS 633 EG 75	B148 ZN	N/A	N/A	N/A	L60 0000EG 75	A-319-2	5310
G3193	AS 633 EG 67 1/2	B149 ZN	N/A	N/A	N/A	L60 0000EG 67-1/2	A-319-3	5309
G3194	AS 633 EG 60	B150 ZN	N/A	L4606000EG	FS-5143-60	L60 0000EG 60	A-319-4	5308
G3195	AS 633 EG 52 1/2	B151 ZN	N/A	N/A	N/A	L60 0000EG 52-1/2	A-319-5	5307
G3196	AS 633 EG 37 1/2	B152 ZN	N/A	N/A	N/A	L60 0000EG 37-1/2	A-319-6	5306
G3197	AS 633 EG 30	B162 ZN	N/A	L4603000EG	FS-5143-30	L60 0000EG 30	A-320	5304
G3198	AS 633 EG 22 1/2	B163 ZN	N/A	N/A	N/A	L60 0000EG 22-1/2	A-320-2	5303
G3199	AS 633 EG 15	B164 ZN	N/A	N/A	N/A	L60 0000EG 15	A-320-3	5302
G31910	AS 633 EG 7 1/2	B165 ZN	N/A	N/A	N/A	L60 0000EG 7-1/2	A-320-4	5301
G31911	AS 633 EG 45	B154 ZN	N/A	L460450EG	FS-5143-45	L60 0000EG 45	A-316	5315

**ACCESSORIES - Measurements may not be an exact match

CROSS REFERENCE



G-STRUT • 4100 13th Street, SW • Canton, Ohio 44710
Call 866-997-8788 • Fax 330-477-0626 • www.gstrut.com

G-STRUT® (GREGORY IND.)	POWER-STRUT (ATKORE)	PUPCO (POWER UTILITY PRODUCTS)	SASCO STRUT (SASCO TUBE & ROLLFORM)	SUPERSTRUT (ABB GROUP/T&B)	UNISTRUT (ATKORE)	VERSABAR (VERSABAR CORP.)	WESANCO (ZSI-FOSTER)
4-Hole Connector							
G217	PS 747	FF-AS747 EG	S127P-HG	AB-265 EG	P1358	VF-1404	W-5026
4-Hole Corner Connector							
G218	PS 750	FF-AS750 EG	S124P-HG	AB-257 EG	P1380	VF-1406	W-5024
5-Hole Connector							
G219	PS 854	FF-AS854 EG	S128P-HG	AB-261 EG	P1726	VF-1504	W-5027
5-Hole Corner Connector							
G2191	PS 2190	FF-AS2190 EG	S125P-HG	AB-263 EG	P1873	VF-1505	N/A
7-Hole Connector							
G220	PS 2112	FF-AS2112 EG	N/A	N/A	P1950	VF-1704	N/A
6-Hole Tee Corner Connector							
G221	N/A	N/A	N/A	N/A	P1953	VF-1602	N/A
6-Hole Staggered Hole Connector							
G222	N/A	N/A	N/A	N/A	N/A	VF-1603	N/A
2-Hole Corner Angle							
G301	N/A	AF-AS2144 EG	N/A	AB-201 EG	N/A	N/A	N/A
2-Hole Connection Angle							
G302	PS 603	AF-AS603 EG	S206A-HG	AB-202 EG	P1026	VF-2201	W-5103
2-Hole Corner Angle							
G3031	PS 2144 3	N/A	S208-3A-HG	N/A	P1281	VF-2205A	N/A
G3032	PS 2144 3-1/2	N/A	S208-35A-HG	N/A	P1282	VF-2205B	N/A
G3033	PS 2144 4	N/A	S208-4A-HG	N/A	P1283	VF-2205C	N/A
2-Hole No-Twist Corner Angle (2 Indents)							
G304	**PS-806 (2 1/8 X 2 1/8)	N/A	S207A-HG	AB-299 EG	N/A	VF-2204N	W-5104
2-Hole Open Angle							
G305	N/A	N/A	N/A	N/A	N/A	N/A	N/A
G3051	N/A	N/A	N/A	N/A	N/A	N/A	N/A
3-Hole Corner Angle							
G306	PS 606	AF-AS606 EG	**S209A-HG (4-1/8 X 1-7/16)	AB-203 EG	P1326	VF-2304	W-5112
G3063	**PS 745 (3-7/8 X 1-7/8)	N/A	**S210A-HG (3-7/8 X 1-7/8)	N/A	N/A	VF-2305	
1-Hole 90° Corner Angle							
G3061	PS 921 3-7/8	**AF-AS921 EG (3-7/8 X 1-7/8)	N/A	**AB-252-1 EG (3-7/8 X 1-7/8)	**P1538A (1-7/8 X 3-7/8)	**VF-2121 (3-7/8 X 1-7/8)	N/A
G3062	PS 921 5-7/8	N/A	N/A	**AB-252-2 EG (5-7/8 X 1-7/8)	**P1538B (1-7/8 X 5-7/8)	**VF-2122 (5-7/8 X 1-7/8)	N/A
G3063	PS 921 7-7/8	N/A	N/A	**AB-252-3 EG (7-7/8 X 1-7/8)	**P1538C (1-7/8 X 7-7/8)	**VF-2123 (7-7/8 X 1-7/8)	N/A
G3064	PS 921 9-7/8	N/A	N/A	**AB-252-4 EG (9-7/8 X 1-7/8)	**P1538D (1-7/8 X 9-7/8)	**VF-2124 (9-7/8 X 1-7/8)	N/A
3-Hole Corner Shelf Angle							
G3071	**PS 746 (3-1/2 X 2-1/4)	**AF-AS746 EG (3-1/2 X 2-1/4)	N/A	**AB-274 EG (3-1/2 X 2-1/4)	**P1357 (3-1/2 X 2-1/4)	**VF-2310 (3-1/2 X 2-1/4)	N/A
4-Hole Corner Shelf Angle							
G308	N/A	N/A	N/A	N/A	N/A	N/A	N/A
4-Hole Joint Connector Angle							
G309	PS 748	N/A	S235A-HG	X-289 EG	P1359	VF-2410	W-5109
4-Hole Duplex Corner Angle							
G310	PS 614	AF-AS614 EG	N/A	N/A	P1579	VF-2413	N/A
4-Hole Corner Angle							
G311	PS 607	AF-AS607 EG	S214A-HG	AB-205 EG	P1325	VF-2407	W-5123
4-Hole Angle							
G3111	PS-660	AF-AS660 EG	N/A	N-205 EG	N/A	VF-2403	W-5125
4-Hole Bent Tee							
G312	**PS 715 (4-7/8 X 2)	**AF-AS715 EG (5-3/8 X 1-7/8)	N/A	N/A	P1033	VF-2401	N/A
5-Hole Duplex Corner Angle							
G313	N/A	**AF-AS615 EG (4-1/8 X 3-1/2)	N/A	**AB-216 EG (3-1/2 X 4-1/8)	**P2235 (4-1/8 X 3-1/2)	**VF-2510 (4-1/8 X 3-1/2)	N/A
5-Hole Joint Connector Angle							
G314	PS 927	AF-AS927 EG	S230A-HG	N/A	P1728	VF-2512	N/A
Slotted Joint Connector Angle							
G315	PS 689 A	AF-AS689-A EG	N/A	**X-204 EG (3-3/4 X 6-3/8)	P1130	VF-2204	N/A
G3151	PS 689 B	AF-AS689-B EG	N/A	N/A	P1131	VF-2204A	N/A
2-Hole Closed Angle							
G3171	PS 624 45	AF-AS624-6 - 45 EG	S278A-HG	AB-225 EG	P1186	VF-3202	W-5465
G3172	**PS 624 67 (67-1/2)	AF-AS624-6 - 67 EG	N/A	N/A	N/A	N/A	N/A
2-Hole Open Angle Bracket							
G3191	PS 633 82-1/2	AF-AS633- 82-1/2 EG	N/A	N/A	P2094	VF-3207	N/A
G3192	PS 633 75	AF-AS633- 75 EG	N/A	N/A	P2095	VF-3208	N/A
G3193	PS 633 67-1/2	AF-AS633- 67-1/2 EG	N/A	N/A	P2096	VF-3210	N/A
G3194	PS 633 60	AF-AS633- 60 EG	S253A-HG	N/A	P2097	VF-3206	W-5423
G3195	PS 633 52-1/2	AF-AS633- 52-1/2 EG	N/A	N/A	P2098	VF-3211	N/A
G3196	PS 633 37-1/2	AF-AS633- 37-1/2 EG	N/A	N/A	**P2100 (37-1/2 X 2-11/16)	VF-3248 37-1/2	N/A
G3197	PS 633 30	AF-AS633- 30 EG	S258A-HG	N/A	P2101	VF-3248 30	W-5427
G3198	PS 633 22-1/2	AF-AS633- 22-1/2 EG	N/A	N/A	P2102	VF-3248 22-1/2	N/A
G3199	PS 633 15	AF-AS633- 15 EG	N/A	N/A	P2103	VF-3248 15	N/A
G31910	PS 633 7-1/2	AF-AS633- 7-1/2 EG	N/A	N/A	P2104	VF-3248 7-1/2	N/A
G31911	PS 633 45	AF-AS633 - 45 EG	S255A-HG	AB-227 EG	P1546	VF-2303	W-5427

** ACCESSORIES - Measurements may not be an exact match

G-STRUT® (GREGORY IND.)	ANVIL-STRUT (ANVIL INTERNATIONAL)	B-LINE (EATON)	ELITE STRUT (ELITE COMPONENTS)	ERICO/ERISTRUT (INVENT)	FLEX-STRUT (FLEX STRUT)	FLORIDA STRUT (ZSI-FOSTER)	H-STRUT (HAYDON CORP.)	PHD (PHD MFG.)
4-Hole Open Angle Bracket								
G3201	AS 781 EG 7 1/2	B243 ZN	N/A	N/A	N/A	L62 0000EG 7-1/2	A-3194-1	5340
G3202	AS 781 EG 15	B244 ZN	N/A	N/A	N/A	L62 0000EG 15	A-3194-2	5341
G3203	AS 781 EG 22 1/2	B245 ZN	N/A	N/A	N/A	L62 0000EG 22-1/2	A-3194-3	5342
G3204	AS 781 EG 30	B246 ZN	N/A	N/A	FS-5145-30	L62 0000EG 30	A-3194-4	5343
G3205	AS 781 EG 37 1/2	B247 ZN	N/A	N/A	N/A	L62 0000EG 37-1/2	A-3194-5	5344
G3206	AS 781 EG 45	B248 ZN	N/A	N/A	FS-5145-45	L62 0000EG 45	A-3194-6	5345
G3207	AS 781 EG 52 1/2	B249 ZN	N/A	N/A	N/A	L62 0000EG 52-1/2	A-3194-7	5346
G3208	AS 781 EG 60	B250 ZN	N/A	N/A	FS-5145-60	L62 0000EG 60	A-3194-8	5347
G3209	AS 781 EG 67 1/2	B251 ZN	N/A	N/A	N/A	L62 0000EG 67-1/2	A-3194-9	5348
G32010	AS 781 EG 75	B252 ZN	N/A	N/A	N/A	L62 0000EG 75	A-3194-10	5349
G32011	AS 781 EG 82 1/2	B253 ZN	N/A	N/A	N/A	L62 0000EG 82-1/2	A-3194-11	5350
4-Hole Closed Angle Bracket								
G32001	AS 793 EG 37 1/2	B369 ZN	N/A	N/A	N/A	L63 0000EG 37-1/2	A-3174-1	5370
G32002	AS 793 EG 45	B368 ZN	N/A	N/A	FS-5144-45	L63 0000EG 45	A-3174-2	5371
G32003	AS 793 EG 52 1/2	B367 ZN	N/A	N/A	N/A	L63 0000EG 52-1/2	A-3174-3	5372
G32004	AS 793 EG 60	B366 ZN	N/A	N/A	FS-5144-60	L63 0000EG 60	A-3174-4	5373
G32005	AS 793 EG 67 1/2	B365 ZN	N/A	N/A	N/A	L63 0000EG 67-1/2	A-3174-5	5374
G32006	AS 793 EG 75	B364 ZN	N/A	N/A	N/A	L63 0000EG 75	A-3174-6	5375
G32007	AS 793 EG 82 1/2	B363 ZN	N/A	N/A	N/A	L63 0000EG 82-1/2	A-3174-7	5376
3-Hole Single Angle Connector								
G321L	N/A	B267L ZN	N/A	N/A	N/A	N/A	A-321-L	5506
G321R	N/A	B267R ZN	N/A	N/A	N/A	N/A	A-321-R	5505
6-Hole Single Angle Connector								
G32112L	AS 2128 LH EG	B269L ZN	N/A	N/A	**FS5521 (5-5/8 X 3-7/8)	N/A	A-321-1-L	5616
G32112R	AS 2128 RH EG	B269R ZN	N/A	N/A	**FS5522 (5-5/8 X 3-7/8)	N/A	A-321-1-R	5615
3-Hole "Z" Angle								
G322	AS 611 EG	B105 ZN	N/A	N/A	FS-5212	N/A	A-322	5554
2-Hole "Z" Angle								
G323	AS 612 EG	B106-42 ZN	N/A	N/A	FS-5214	N/A	**A-323 (3-1/4 X 1)	N/A
G3231	N/A	B106-12 ZN	N/A	N/A	FS-5211	**Z12 0000EG (2-7/16 X 2 1/8)	**A-323-22 (3-1/4 X 2-7/16)	5553
G3232	N/A	B106-32 ZN	N/A	N/A	FS-5213	**Z20 0000EG (1 5/8 X 3-1/2)	**A-323-42 (3-1/4 X 1-3/8)	N/A
G3233	AS 928 EG	B106-52 ZN	N/A	N/A	FS-5215	**Z10 0000EG (2-1/8 X 13/16)	**A-323-62 (3-1/4 X 13/16)	5551
G3234	N/A	N/A	N/A	N/A	**FS-5210 (3-1/4)	**Z13 0000EG (3-1/4 X 2-1/8)	N/A	5552
G3235	N/A	B586 ZN	N/A	N/A	FS-5209	N/A	**A-341 (4-7/8 X 3-1/8)	5558
4-Hole Double Angle Connector								
G326	AS 665 EG	B119 ZN	N/A	N/A	N/A	N/A	N/A	5620
8-Hole Double Angle 90° Wing Connector								
G3261	AS 667 EG	B121 ZN	N/A	N/A	**FS-5523 (5-3/8 X 3-7/8)	N/A	**A-326-1 (5-3/8 X 3-7/8)	5630
5-Hole Double Angle Connector								
G327	**AS 923 (5-3/8 X 2-1/16)	B271 ZN	N/A	N/A	**FS-5513 (5-3/8 X 2)	**W30 0000EG (5-7/16 X 2)	**A-327 (5-3/8 X 2-1/16)	5635
10-Hole Double Angle Connector								
G3271	**AS 913 (3-15/16 X 9-1/4)	**B273 (3-15/16 X 9-3/16)	N/A	N/A	**FS-5528 (9-3/16 X 3-7/8)	**W33 0000EG (3-7/8 X 9-3/16)	**A-327-1 (9-1/4 X 3-15/16)	5645
6-Hole Triple Angle Connector								
G3281	AS 668 EG	N/A	N/A	**W190000EG (3-1/2 X 5-7/16)	N/A	**W40 0000EG (2 X 5-7/16)	**A-328 (5-3/8 X 2-1/16)	N/A
12-Hole Triple Angle Wing Connector								
G329	N/A	N/A	N/A	N/A	N/A	**W42 0000EG (9-3/16 X 1-5/8)	N/A	5655
5-Hole Corner Angle								
G329L	N/A	B268L ZN	N/A	N/A	N/A	N/A	N/A	5611
G329R	N/A	B268R ZN	N/A	N/A	N/A	N/A	N/A	5610
3-Hole 90° Angle								
G330L	N/A	B236L ZN	N/A	**L26L0000EG (3-1/2 X 2)	**FS-5135 (3-1/2 X 2)	N/A	**A-330-L (3-1/2 X 2)	5146
G330R	N/A	B236-R ZN	N/A	**L26R0000EG (3-1/2 X 2)	**FS-5136 (3-1/2 X 2)	N/A	**A-330-R (3-1/2 X 2)	5141
3-Hole Adjustable Corner Angle								
G331	AS 3049 EG	B371-2 ZN	N/A	N/A	N/A	L43 0000EG	A-3360	5230
2-Hole Tapped Corner Angle								
G332	N/A	B109S ZN	N/A	N/A	FS-5150	N/A	N/A	5260
2-Hole Adjustable Corner Angle								
G333	N/A	B371 ZN	N/A	N/A	FS-5105	**L40 0000EG (2-5/8 X 1-5/8)	**A-337 (2-5/8 X 1-5/8)	5220
2-Hole Adjustable Corner Angle								
G334	N/A	B461 ZN	N/A	N/A	N/A	L44 0000EG	N/A	5228
Universal Shelf Bracket								
G335	**AS 3373 EG (4 X 4)	**B844 ZN (4 X 4)	N/A	L23U0000EG	FS-5124	L34 0000EG	**A-335 (4 X 4)	5165
Slotted Angle								
G336	AS 763 EG	B496-1 ZN	N/A	L160000EG	FS-5107	L41 0000EG	**A-336 (4-7/16)	5226
G3361	AS 764 EG	B496 ZN	N/A	L170000EG	FS-5108	L42 0000EG	A-336-1	5225
G337	AS 2545 EG	B372 ZN	N/A	L150000EG	FS-5106	L40 0000EG	A-337	5221
2-Hole Offset Angle								
G3381	AS 2144 EG 3"	B359 ZN	N/A	L120300EG	N/A	L14 0000EG	A-338-1	5115
G3382	AS 2144 EG 3 1/2"	B360 ZN	N/A	L120350EG	N/A	L15 0000EG	A-338-2	5116
G3383	AS 2144 EG 4"	B361 ZN	N/A	L120400EG	N/A	L16 0000EG	A-338-3	5118
3-Hole Offset Bent Tee								
G339	N/A	B237 ZN	N/A	N/A	N/A	N/A	N/A	5148
5-Hole Offset Bent Tee								
G340	N/A	B239 ZN	N/A	N/A	FS-5120 (5-3/8 X ?)	N/A	N/A	5160

**ACCESSORIES - Measurements may not be an exact match

CROSS REFERENCE



G-STRUT • 4100 13th Street, SW • Canton, Ohio 44710
Call 866-997-8788 • Fax 330-477-0626 • www.gstrut.com

G-STRUT® (GREGORY IND.)	POWER-STRUT (ATKORE)	PUPCO (POWER UTILITY PRODUCTS)	SASCO STRUT (SASCO TUBE & ROLLFORM)	SUPERSTRUT (ABB GROUP/T&B)	UNISTRUT (ATKORE)	VERSABAR (VERSABAR CORP.)	WESANCO (ZSI-FOSTER)
4-Hole Open Angle Bracket							
G3201	PS 781 7-1/2	AF-AS781 7-1/2 EG	N/A	N/A	P2260	VF-3402 7-1/2	N/A
G3202	PS 781 15	AF-AS781 7-1/2 EG	N/A	N/A	P2261	VF-3402 15	N/A
G3203	PS 781 22-1/2	AF-AS781 7-1/2 EG	N/A	N/A	P2262	VF-3402 22-1/2	N/A
G3204	PS 781 30	AF-AS781 7-1/2 EG	S265A-HG	N/A	P2263	VF-3402 30	W-5447
G3205	PS 781 37-1/2	AF-AS781 7-1/2 EG	N/A	N/A	P2264	VF-3402 37-1/2	N/A
G3206	PS 781 45	AF-AS791-45	S267A-HG	N/A	P2265	VF-3402 45	W-5445
G3207	PS 781 52-1/2	AF-AS781 7-1/2 EG	N/A	N/A	P2266	VF-3402 52-1/2	N/A
G3208	PS 781 60	AF-AS781 7-1/2 EG	S269A-HG	N/A	P2267	VF-3402 60	W-5443
G3209	PS 781 67-1/2	AF-AS781 7-1/2 EG	N/A	N/A	P2268	VF-3402 67-1/2	N/A
G32010	PS 781 75	AF-AS781 7-1/2 EG	N/A	N/A	P2269	VF-3402 75	N/A
G32011	PS 781 82-1/2	AF-AS781 7-1/2 EG	N/A	N/A	P2270	VF-3402 82-1/2	N/A
4-Hole Closed Angle Bracket							
G32001	PS 793 37-1/2	AF-AS793-37-1/2 EG	N/A	N/A	N/A	VF-3430	N/A
G32002	PS 793 45	AF-AS793-45 EG	S285A-HG	N/A	N/A	VF-3429	W-5415
G32003	PS 793 52-1/2	AF-AS793-52-1/2 EG	N/A	N/A	N/A	VF-3428	N/A
G32004	PS 793 60	AF-AS793-60 EG	S283A-HG	N/A	N/A	VF-3427	W-5413
G32005	PS 793 67-1/2	AF-AS793-67-1/2 EG	N/A	N/A	N/A	VF-3426	N/A
G32006	PS 793 75	AF-AS793-75 EG	N/A	N/A	N/A	VF-3425	N/A
G32007	PS 793 82-1/2	AF-AS793-82-1/2 EG	N/A	N/A	N/A	VF-3424	N/A
3-Hole Single Angle Connector							
G321L	N/A	N/A	N/A	AW-205-L EG	N/A	N/A	N/A
G321R	N/A	N/A	N/A	AW-205-R EG	N/A	N/A	N/A
6-Hole Single Angle Connector							
G32112L	**PS 2128 L (3-1/2 X 3-3/4)	N/A	N/A	N/A	N/A	N/A	N/A
G32112R	**PS 2128 R (3-1/2 X 3-3/4)	N/A	N/A	N/A	N/A	N/A	N/A
3-Hole "Z" Angle							
G322	**PS 2054 (3-1/2 X 1-7/8)	N/A	N/A	N/A	N/A	N/A	N/A
2-Hole "Z" Angle							
G323	PS 612	N/A	N/A	N/A	N/A	**VF-4301-10 (3-3/4 X 1)	N/A
G3231	PS 2601	N/A	N/A	N/A	**P5545 (3-3/4 X 2-7/16)	N/A	N/A
G3232	**PS 711 (3-3/4 X 1-3/8)	N/A	N/A	N/A	**P3045 (3-3/4 X 1-3/8)	**VF-4301-6 (3-3/4 X 1-3/8)	N/A
G3233	**PS 928 (3-3/4 X 13/16)	N/A	N/A	N/A	**P4045 (3-3/4 X 13/16)	**VF-4301-4 (3-3/4 X 13/16)	N/A
G3234	N/A	N/A	N/A	N/A	N/A	N/A	N/A
G3235	N/A	N/A	N/A	N/A	N/A	**VF-4205 (3-3/4 X 4-7/8)	N/A
4-Hole Double Angle Connector							
G326	N/A	N/A	N/A	N/A	N/A	N/A	N/A
8-Hole Double Angle 90° Wing Connector							
G3261	N/A	N/A	N/A	N/A	N/A	N/A	N/A
5-Hole Double Angle Connector							
G327	**PS 923 (5-13/32 X 2)	**WF-AS923 EG (5-7/16 X 2)	**S336W-HG (5-13/32 X 2)	N/A	N/A	N/A	N/A
10-Hole Double Angle Connector							
G3271	N/A	N/A	N/A	N/A	N/A	N/A	N/A
6-Hole Triple Angle Connector							
G3281	N/A	N/A	N/A	N/A	N/A	N/A	N/A
12-Hole Triple Angle Wing Connector							
G329	N/A	WF-AS669 EG	N/A	N/A	N/A	N/A	N/A
5-Hole Corner Angle							
G329L	N/A	N/A	N/A	N/A	N/A	N/A	N/A
G329R	N/A	N/A	N/A	N/A	N/A	N/A	N/A
3-Hole 90° Angle							
G330L	**PS 720 L (3-1/4 X 2)	N/A	N/A	**AB260 L EG (3-1/2 X 2-1/4)	**P1037L (3-1/2 X 2)	**VF-2315L (3-1/2 X 2)	**W-5135 (3-1/2 X 2)
G330R	**PS 720 R (3-1/4 X 2)	N/A	N/A	**AB260 R EG (3-1/2 X 2-1/4)	**P1038R (3-1/2 X 2)	**VF-2315R (3-1/2 X 2)	**W-5136 (3-1/2 X 2)
3-Hole Adjustable Corner Angle							
G331	PS 3049	AF-AS3049	N/A	N/A	P1747	VF-2507	N/A
2-Hole Tapped Corner Angle							
G332	N/A	N/A	N/A	N/A	P1723	VF-2202T	N/A
2-Hole Adjustable Corner Angle							
G333	PS 2520	AF-AS2545 EG	N/A	N/A	N/A	VF-2217	N/A
2-Hole Adjustable Corner Angle							
G334	N/A	AF-AS2113 EG	N/A	N/A	P1713	VF-2215	N/A
Universal Shelf Bracket							
G335	**PS 3373 (4 X 4)	AF-AS3373 EG	N/A	N/A	**P2484 (4 X 4)	VF-2708	W-5124
Slotted Angle							
G336	PS 763	AF-AS763 EG	N/A	X-201 EG	P1498	VF-2208	N/A
G3361	PS 764	AF-AS764 EG	N/A	N/A	P1499	VF-2208A	N/A
G337	**PS 2520 (1-5/16 X 5-5/8)	AF-AS2545 EG	N/A	X-299 EG	P1750	VF-2228A	N/A
2-Hole Offset Angle							
G3381	PS 2144 3	AS2144	S208-3A-HG	N/A	P1281	VF-2205A	N/A
G3382	PS 2144 3-1/2	N/A	S208-35A-HG	N/A	P1282	VF-2205B	N/A
G3383	PS 2144 4	N/A	S208-4A-HG	N/A	P1283	VF-2205C	N/A
3-Hole Offset Bent Tee							
G339	N/A	N/A	N/A	N/A	N/A	N/A	N/A
5-Hole Offset Bent Tee							
G340	PS 713	N/A	N/A	N/A	P1029	N/A	N/A

** ACCESSORIES - Measurements may not be an exact match

G-STRUT® (GREGORY IND.)	ANVIL-STRUT (ANVIL INTERNATIONAL)	B-LINE (EATON)	ELITE STRUT (ELITE COMPONENTS)	ERICO/ERISTRUT (NVENT)	FLEX-STRUT (FLEX STRUT)	FLORIDA STRUT (ZSI-FOSTER)	H-STRUT (HAYDON CORP.)	PHD (PHD MFG.)
4-Hole Offset Bent Tee								
G3411	N/A	B238R ZN	N/A	L25L0000EG	N/A	N/A	N/A	5155
G3412	N/A	B238L ZN	N/A	L25R0000EG	N/A	N/A	N/A	5156
"Z" Angle Duct Connector								
G34101	N/A	B387 ZN	N/A	N/A	N/A	**Z30 0000EG (4 X 1-5/8)	N/A	N/A
G34102	N/A	B387-1 ZN	N/A	N/A	N/A	N/A	N/A	5561
G34103	N/A	B387-2 ZN	N/A	N/A	N/A	**Z30 0000EG (4 X 1-5/8)	N/A	5562
4-Hole Joint Corner Angle								
G3421	N/A	B234L ZN	N/A	N/A	N/A	N/A	N/A	N/A
G3422	N/A	B234R ZN	N/A	N/A	N/A	N/A	N/A	N/A
G3431	N/A	B134L ZN	N/A	N/A	N/A	N/A	N/A	5171
G3432	N/A	B134R ZN	N/A	N/A	N/A	N/A	N/A	5176
2-Hole Duct Angle								
G344	AS 603 EG	B521 ZN	N/A	N/A	FS-5103	**L11 0000EG (1-7/8 X 2-1/8)	A-302	5270
Channel Hanger								
G3461	N/A	B410-52 ZN	N/A	N/A	N/A	Z40 0000EG	N/A	5581
G3462	N/A	B410-22 ZN	N/A	N/A	N/A	Z41 0000EG	N/A	5580
G3463	N/A	**B410-12 ZN (2-7/16X13/16)	N/A	N/A	N/A	**Z42 0000 EG (13/16 X 2-7/16)	N/A	5583
G3464	N/A	B410-11 ZN	N/A	N/A	N/A	Z43 0000EG	N/A	5582
Tapped "Z" Angle								
G347	N/A	B534 ZN	N/A	N/A	N/A	N/A	N/A	5565
3-Hole Sheath Corner Connector								
G348	N/A	B111 ZN	N/A	N/A	N/A	N/A	N/A	5575
Adjustable Offset "Z" Angle								
G349	N/A	B515 ZN	N/A	N/A	N/A	Z60 0000EG	N/A	5590
8-Hole Double Wing Connector								
G350	**AS 821 EG (5-13/32 X 3-7/8)	B272 ZN	N/A	N/A	N/A	**W31 0000EG (5-7/16 X 3 X 7/8)	**A-327-2 (3-15/16 X 5-3/8)	5640
9-Hole Triple Wing Connector								
G351	N/A	B124 ZN	**9SWC03875G (3-1/2 X 5-7/16)	**W200000EG (5-7/16 X 3-3/4)	**FS-5520 (5-3/16 X 3-7/8)	**W41 0000EG (5-7/16 X 3 7/8)	N/A	5660
8-Hole Double Corner Connector								
G352	N/A	B362 ZN	N/A	N/A	N/A	N/A	N/A	5665
10-Hole Double Corner Angle								
G353L	N/A	B495 ZN	N/A	**W180000EG (9-5/32 X 3-3/4)	FS-5528	W33 0000EG	N/A	5675
6 Hole Double Corner Connector								
G354	AS 666 EG	N/A	N/A	N/A	FS-5518	**W21 (3-7/8 X 1-5/8)	N/A	N/A
"U" Support								
G6011	AS 978 EG	**B116-42 ZN (5-7/16 X 1)	N/A	N/A	**FS-5311-2 (5-3/8 X 1)	N/A	**B601-1 (5-3/8 X 1)	N/A
G6012	AS 710 EG	**B116-32 ZN (5-7/16 X 1-3/8)	N/A	N/A	**FS-5311-3 (5-3/8 X 1-3/8)	N/A	**B601-2 (5-3/8 X 1-3/8)	N/A
G6013	AS 2119 EG	**B107 ZN (5-7/16 X 1-5/8)	N/A	N/A	N/A	N/A	**B601-3 (5-3/8 X 1-5/8)	N/A
G6014	AS 2648 EG	**B116-12 ZN (5-7/16 X 2-7/16)	N/A	N/A	**FS-5311-4 (5-3/8 X 2-7/16)	**U12 0000EG (5-3/8 X 2-7/16)	**B601-4 (5-3/8 X 2-7/16)	5505
G6015	N/A	**B116-32A ZN (5-7/16 X 2-3/4)	N/A	N/A	N/A	N/A	**B601-5 (5-3/8 X 2-3/4)	N/A
G6016	AS 679 EG	**B107-22A ZN (5-7/16 X 3/1-4)	N/A	N/A	**FS-5311-5 (5-3/8 X 3-1/4)	**U13 0000EG (5-3/8 X 3-1/4)	**B601-6 (5-3/8 X 3-1/4)	5507
G6017	AS 929 EG	**B116-52 ZN (5-7/16 X 13/16)	N/A	N/A	**FS-5311-1 (5-3/8 X 13-16)	**U10 0000EG (5-3/8 X 13-16)	N/A	N/A
G6018	AS 678 EG	**B588 ZN (5-7/16 X 4-7/8)	N/A	N/A	**FS-5311-6 (5-3/8 X 4-7/8)	**U14 0000EG (5-3/8 X 4-7/8)	**B-601-7 (4-7/8 X 5-3/8)	5509
"U" Support								
G6021	AS 687 EG 7-1/4	N/A	N/A	N/A	FS-5307	N/A	B-602-1	5530
G6022	**AS 687 EG 8-1/2 (5-3/8)	N/A	N/A	N/A	N/A	N/A	**B-602-2 (8-1/2 X 5-3/8)	5531
G6023	AS 687 EG 10-3/8	N/A	N/A	N/A	FS-5310	N/A	B-602-3	5532
Knee Brace								
G603	AS 924 EG 12	B261-18 ZN	N/A	L441800EG	FS-5472-18	L83 0000EG	N/A	5412
G6031	**AS 924 EG 16-5/8	**B261-16 ZN (16-5/8)	N/A	L441600EG	FS-5472-16	L82 0000EG	**B-603-1 (16-5/8)	5411
G6032	N/A	B261-12 ZN	N/A	L441200EG	FS-5472-12	L81 0000EG	**B-603-2	5410
3-Hole Splice Channel								
G6041	AS 645 EG	B171 ZN	N/A	F200000EG	FS-5343	U31 0000EG	B-604	5710
Pipe Axle Support								
G605L	N/A	N/A	N/A	N/A	N/A	N/A	N/A	N/A
G605R	N/A	N/A	N/A	N/A	N/A	N/A	N/A	N/A
4-Hole Splice Channel								
G6061	AS 645 EG	B172 ZN	N/A	**U24A0000EG (7-1/4 X 1-5/8)	N/A	**U32 0000EG (7 1/4 X 1 5/8)	**B-605 (7-1/4 X 1-5/8)	N/A
G6062	AS 616 EG	B167 ZN	N/A	**U24C0000EG (7-1/4 X 13/16)	N/A	**U33 0000EG (7 1/4 X 13/16)	**B-608 (7-1/4 X 13/16)	N/A
G6063	N/A	N/A	N/A	N/A	N/A	N/A	N/A	N/A
2-Hole Splice Channel								
G607	AS 644 EG	B170 ZN	N/A	N/A	FS-5342	U30 0000EG	B-607	5720
2-Hole 45° Tubing Brace								
G6081	N/A	B631-18 ZN	N/A	N/A	FS-5460-18	N/A	N/A	5420
G6082	N/A	B631-24 ZN	N/A	N/A	FS-5460-24	N/A	N/A	5421
G6083	N/A	B631-30 ZN	N/A	N/A	FS-5460-30	N/A	N/A	5422
G6084	N/A	B631-36 ZN	N/A	N/A	FS-5460-36	N/A	N/A	5423
G6085	N/A	B631-42 ZN	N/A	N/A	N/A	N/A	N/A	5424
G6086	N/A	B631-48 ZN	N/A	N/A	N/A	N/A	N/A	5425
G6087	N/A	B631-54 ZN	N/A	N/A	N/A	N/A	N/A	5426
G6088	N/A	B631-60 ZN	N/A	N/A	N/A	N/A	N/A	5427

** ACCESSORIES - Measurements may not be an exact match

CROSS REFERENCE



G-STRUT® (GREGORY IND.)	POWER-STRUT (ATKORE)	PUPCO (POWER UTILITY PRODUCTS)	SASCO STRUT (SASCO TUBE & ROLLFORM)	SUPERSTRUT (ABB GROUP/T&B)	UNISTRUT (ATKORE)	VER SABAR (VER SABAR CORP.)	WESANCO (ZSI-FOSTER)
4-Hole Offset Bent Tee							
G3411	**PS 716L (3-1/2 X 3-1/2)	N/A	N/A	N/A	**P1034 (3-1/2 X 3-1/2)	**VF-2402R (3-1/2 X 3-1/2)	N/A
G3412	**PS 716R (3-1/2 X 3-1/2)	N/A	N/A	N/A	**P1035 (3-1/2 X 3-1/2)	**VF-2402L (3-1/2 X 3-1/2)	N/A
"Z" Angle Duct Connector							
G34101	N/A	N/A	N/A	N/A	N/A	N/A	N/A
G34102	N/A	N/A	N/A	N/A	N/A	N/A	N/A
G34103	N/A	N/A	N/A	N/A	N/A	N/A	N/A
4-Hole Joint Corner Angle							
G3421	**PS 752 L (4-1/8 X 3-1/2)	N/A	**S217A-HG (4-1/8 X 3-1/2)	N/A	N/A	**VF-2411L (4-1/8 X 3-1/2)	N/A
G3422	**PS 752 R (4-1/8 X 3-1/2)	N/A	**S218A-HG (4-1/8 X 3-1/2)	N/A	N/A	**VF-2411R (4-1/8 X 3-1/2)	N/A
G3431	N/A	N/A	**S233A-HG (3-1/2 X 3-7/8)	N/A	N/A	**VF-2421L (3-7/8 X 3-1/2)	N/A
G3432	N/A	N/A	**S232A-HG (3-1/2 X 3-7/8)	N/A	N/A	**VF-2421R (3-7/8 X 3-1/2)	N/A
2-Hole Duct Angle							
G344	PS 603	AF-AS603	S206A-HG	540-3/8	P1026	VF-2201	W-5102
Channel Hanger							
G3461	PS 2532	ZF-AS2532 - 13/16 EG	N/A	N/A	N/A	N/A	N/A
G3462	N/A	ZF-AS2532 - 1-5/8 EG	N/A	N/A	P2360	N/A	N/A
G3463	N/A	ZF-AS2532 - 2-7/8 EG	N/A	N/A	N/A	N/A	N/A
G3464	N/A	ZF-AS2532 - 3-1/4 EG	N/A	N/A	N/A	N/A	N/A
Tapped "Z" Angle							
G347	PS 647	**ZF-AS611 (2-1/8 X 1-5/8)	N/A	N/A	N/A	VF-4201	N/A
3-Hole Sheath Corner Connector							
G348	N/A	N/A	N/A	N/A	P1736	VF-3303	N/A
Adjustable Offset "Z" Angle							
G349	PS 692	ZF-AS692 EG	N/A	N/A	N/A	VF-4303	N/A
8-Hole Double Wing Connector							
G350	**PS 821 (5-13/32 X 3-7/8)	**WF-AS821 EG (5-7/16 X 3-7/8)	**S337W-HG (5-13/32 X 3-7/8)	**AW-224 (5-7/16 X 3/7/8)	N/A	**VF-6801 (5-13/32 X 3-5/8)	N/A
9-Hole Triple Wing Connector							
G351	N/A	**WF-AS670 EG (5-7/16 X 3-7/8)	N/A	N/A	N/A	N/A	N/A
8-Hole Double Corner Connector							
G352	N/A	**WF-AS943 EG (3-1/2 X 3-1/2)	N/A	N/A	N/A	N/A	N/A
10-Hole Double Corner Angle							
G353L	**PS 945 (9-5/32 X 3-7/8)	WF-AS945 EG	N/A	**AW-219 (3-7/8 X 9-6/32)	**P2348 (3-7/8 X 9-5/32)	**VF-21001 (9-5/32 X 3-5/8)	N/A
6 Hole Double Corner Connector							
G354	N/A	**WF-AS666 EG (1-5/8 X 3-7/8)	N/A	AW-214	P2224	**VF-3601 (3-5/8 X 1-5/8)	N/A
"U" Support							
G6011	N/A	N/A	N/A	N/A	N/A	**VF-6402-10 (5-3/8 X 1)	N/A
G6012	N/A	N/A	N/A	N/A	**P3047 (5-3/8 X 1-3/8)	**VF-6402-6 (5-3/8 X 1-3/8)	N/A
G6013	N/A	N/A	N/A	N/A	**P1047 (5-3/8 X 1-5/8)	N/A	N/A
G6014	N/A	**UF-AS2648 EG (5-3/8 X 2-7/16)	N/A	N/A	**P5547 (5-3/8 X 2-7/16)	N/A	N/A
G6015	N/A	N/A	N/A	N/A	N/A	**VF-6402-3 (5-3/8 X 2-1/2)	N/A
G6016	N/A	**UF-AS679 EG (5-3/8 X 3-1/4)	N/A	N/A	**P1737 (5-3/8 X 3-1/4)	**VF-6317 (5-3/8 X 3-1/4)	N/A
G6017	N/A	**UF-AS929 EG (5-3/8 X 13/16)	N/A	N/A	**P4047 (5-3/8 X 13/16)	**VF-6402-4 (5-3/8 X 13/16)	N/A
G6018	N/A	**UF-AS678 EG (5-3/8 X 4-7/8)	N/A	N/A	**P2473 (5-3/8 X 4-7/8)	**VF-6319 (4-7/8 X 3-1/4)	N/A
"U" Support							
G6021	PS 687 A	N/A	N/A	N/A	P1048	N/A	W-5307
G6022	N/A	N/A	N/A	N/A	P1049	N/A	N/A
G6023	PS 687 C	N/A	N/A	N/A	P1050	N/A	W-5310
Knee Brace							
G603	PS 926 18	N/A	S800-18HG	N/A	N/A	VF-3250-18"	W-5474
G6031	N/A	N/A	N/A	N/A	N/A	N/A	N/A
G6032	PS 926 12	N/A	S800-12HG	N/A	N/A	VF-3250-12"	W-5472
3-Hole Splice Channel							
G6041	PS 645?	UF-AS629 EG	S412U-HG	N/A	P1376A	VF-2320	W-5343
Pipe Axle Support							
G605L	PS-825-L	N/A	N/A	N/A	N/A	N/A	N/A
G605R	PS-825-R	N/A	N/A	N/A	N/A	N/A	N/A
4-Hole Splice Channel							
G6061	N/A	N/A	**S414U-HG (7-1/4 X 1-5/8)	**A-208 EG (7-1/4 x 1-5/8)	P1377	N/A	N/A
G6062	N/A	N/A	N/A	N/A	P4377	N/A	N/A
G6063	N/A	N/A	N/A	N/A	N/A	N/A	N/A
2-Hole Splice Channel							
G607	PS 644	UF-AS631 EG	S409U-HG	N/A	P4376	VF-5204-4	W-5342
2-Hole 45° Tubing Brace							
G6081	PS-812-18	N/A	N/A	N/A	P2458-18	N/A	N/A
G6082	PS-812-24	N/A	N/A	N/A	P2458-24	N/A	N/A
G6083	PS-812-30	N/A	N/A	N/A	P2458-30	N/A	N/A
G6084	PS-812-36	N/A	N/A	N/A	P2458-36	N/A	N/A
G6085	N/A	N/A	N/A	N/A	N/A	N/A	N/A
G6086	N/A	N/A	N/A	N/A	N/A	N/A	N/A
G6087	N/A	N/A	N/A	N/A	N/A	N/A	N/A
G6088	N/A	N/A	N/A	N/A	N/A	N/A	N/A

** ACCESSORIES - Measurements may not be an exact match

G-STRUT® (GREGORY IND.)	ANVIL-STRUT (ANVIL INTERNATIONAL)	B-LINE (EATON)	ELITE STRUT (ELITE COMPONENTS)	ERICO/ERISTRUT (INVENT)	FLEX-STRUT (FLEX STRUT)	FLORIDA STRUT (ZSI-FOSTER)	H-STRUT (HAYDON CORP.)	PHD (PHD MFG.)
2-Hole Straight Tubing Brace								
GTB6081	N/A	N/A	N/A	N/A	N/A	N/A	N/A	5430
GTB6082	N/A	N/A	N/A	N/A	N/A	N/A	N/A	5431
GTB6083	N/A	N/A	N/A	N/A	N/A	N/A	N/A	5432
GTB6084	N/A	N/A	N/A	N/A	FS-5461-36	N/A	N/A	5433
GTB6085	N/A	N/A	N/A	N/A	FS-5461-42	N/A	N/A	5434
GTB6086	N/A	N/A	N/A	N/A	FS-5461-48	N/A	N/A	5435
GTB6087	N/A	N/A	N/A	N/A	FS-5461-54	N/A	N/A	5436
GTB6088	N/A	N/A	N/A	N/A	FS-5461-60	N/A	N/A	5437
GTB6089	N/A	N/A	N/A	N/A	N/A	N/A	N/A	5438
GTB60910	N/A	N/A	N/A	N/A	N/A	N/A	N/A	5439
GTB60811	N/A	N/A	N/A	N/A	N/A	N/A	N/A	5440
5-Hole "U" Support								
G6091	N/A	N/A	N/A	N/A	N/A	N/A	N/A	N/A
G6092	N/A	**B107 ZN(5-7/16X1-5/8)	N/A	N/A	FS-5312	U11 0000EG	N/A	N/A
G6094	N/A	N/A	N/A	N/A	N/A	N/A	N/A	N/A
G6095	N/A	N/A	N/A	N/A	N/A	N/A	N/A	N/A
Double 1 5/8" Channel "U" Support								
G610	N/A	**B266 (7-1/32 X 1-5/8)	N/A	N/A	FS-5317	U16 0000EG	B-610	5521
Vertical 1 5/8" Channel "U" Support								
G611	N/A	B349 ZN	N/A	N/A	**FS-6604 (3-3/4 X 1-5/8)	**U40 0000EG (3 3/4 X 1 5/8)	**B-611 (3-3/4 X 1-5/8)	5840
Trolley Beam Joint Support								
G6111	**AS 2528 EG (3	N/A	N/A	N/A	**FS-6603 (3-1/2 X 3-3/4)	**U41 0000EG (3 3/4 X 3 1/2)	**B-612 (3-3/4 X 3-1/2)	5845
Intersecting 1 5/8" Channel "U" Support								
G613	AS 2528-1 EG	N/A	N/A	N/A	N/A	N/A	N/A	N/A
2-Hole Clevis								
G6221	N/A	B408-1 ZN	N/A	N/A	N/A	N/A	N/A	5750
G6222	N/A	B408-2 ZN	N/A	N/A	N/A	N/A	N/A	5751
G6223	N/A	B408-3 ZN	N/A	N/A	N/A	N/A	N/A	5752
G6224	AS 993 EG 4	B358-4 ZN	N/A	N/A	FS-5324-4	U60 0400 EG	A-615-4"	5760
G6225	AS 993 EG 5	B358-5 ZN	N/A	N/A	FS-5324-5	U60 0500 EG	A-615-5"	5761
G6226	AS 993 EG 6	B358-6 ZN	N/A	N/A	FS-5324-6	U60 0600 EG	A-615-6"	5762
G6227	AS 993 EG 7	B358-7 ZN	N/A	N/A	FS-5324-7	U60 0700 EG	A-615-7"	5763
G6228	AS 993 EG 8	B358-8 ZN	N/A	N/A	FS-5324-8	U60 0800 EG	A-615-8"	5764
3-Hole Clevis								
G623	N/A	B595 ZN	N/A	N/A	N/A	N/A	N/A	5770
3-Hole Suspension Clevis								
G624	N/A	B405 ZN	N/A	N/A	N/A	N/A	N/A	5775
4-Hole Suspension Clevis								
G625	N/A	N/A	N/A	N/A	N/A	N/A	N/A	N/A
3-Hole "U" Support								
G617	N/A	**B412 ZN (5-7/16 X 1-7/8)	**SSUP537G (5-3/8 X 1-5/8)	**U10A0000EG (5-3/8 X 1-5/8)	N/A	N/A	N/A	5513
5-Hole "U" Support								
G618	N/A	B594	N/A	N/A	N/A	N/A	N/A	N/A
Closure Strips								
GCLPL	N/A	B217P	N/A	CL100000PS	N/A	N/A	N/A	N/A
GCLPG	AS 6151 PL	B217-20GALV	N/A	CL100000EG	FS-6500-GALV	FS 6518 CS-10 GAL	C-900 PG	4600 PG
Single Post Base - Diagonal (7 Hole)								
G619	AS 3013 EG	B279 ZN	9SPB07162G	P100000EG	FS-5813	P12 0000EG	B-619	6005
Double Post Base - Diagonal (8 Hole)								
G619A	AS 3029 EG	B281A ZN	N/A	N/A	FS-5815	P18 0000EG	B-619A	6035
Single Flushed Post Base (5 Hole)								
G619FL	AS 3013 FL	B279FL ZN	N/A	N/A	N/A	N/A	B-619-FL	6015
Double Flushed Post Base (6-Hole)								
G619AFL	N/A	B281AFL ZN	N/A	N/A	N/A	N/A	**B-619A-FL (8 X 3-1/8 X 1-5/8)	**6045 (8 X 1-5/8 X 3-1/8)
Double Squared Post Base (8 Hole)								
G619ASQ	AS 3029 EG	B281ASQ ZN	N/A	N/A	N/A	N/A	B-619A-SQ	6040
Single Squared Post Base (7 Hole)								
G619SQ	AS 3013SQ EG	B279SQ ZN	N/A	N/A	FS-5813	P22 0000EG	B-619-SQ	6010
Single Post Base Diagonal								
G620	AS 3033 EG	B280 ZN	9SPB10350G	P110000EG	FS-5814	P13 0000EG	B-620	6020
Double Post Base Diagonal								
G620A	AS 3064 SQ EG	B281 ZN	N/A	P130000EG	FS-5816	P19 0000EG	B-620-A	6050
G620FL1	N/A	N/A	N/A	N/A	N/A	N/A	N/A	N/A
Double Flushed Post Base								
G620AFL	AS 2064 EG	B281FL ZN	N/A	N/A	N/A	N/A	N/A	N/A
Single Flushed Post Base								
G620FL	N/A	**B280FL ZN (8 X 3-1/8 X 3-1/2)	N/A	N/A	N/A	**P11 (6 X 4 X 3-1/2)	N/A	**6030 (8 X 3-1/8 X 3-1/2)
Double Squared Post Base								
G620ASQ	N/A	B281SQ ZN	N/A	N/A	FS-5816SQ	P20 0000EG	B-620-A-SQ	**6060 (6 X 4-1/2 X 3-1/2)
Single Squared Post Base								
G620SQ	N/A	B280SQ ZN	N/A	N/A	N/A	P14 0000EG	B-620-SQ	6025
Beam Clamp Pierced								
G401	N/A	B314	N/A	N/A	FS-5702	BC40 0000EG	C-401-1	N/A

**ACCESSORIES - Measurements may not be an exact match

CROSS REFERENCE



G-STRUT • 4100 13th Street, SW • Canton, Ohio 44710
Call 866-997-8788 • Fax 330-477-0626 • www.gstrut.com

G-STRUT® (GREGORY IND.)	POWER-STRUT (ATKORE)	PUPCO (POWER UTILITY PRODUCTS)	SASCO STRUT (SASCO TUBE & ROLLFORM)	SUPERSTRUT (ABB GROUP/T&B)	UNISTRUT (ATKORE)	VERSABAR (VERSABAR CORP.)	WESANCO (ZSI-FOSTER)
2-Hole Straight Tubing Brace							
GTB6081	N/A	N/A	N/A	N/A	N/A	N/A	N/A
GTB6082	N/A	N/A	N/A	N/A	N/A	N/A	N/A
GTB6083	N/A	N/A	N/A	N/A	N/A	N/A	N/A
GTB6084	N/A	N/A	N/A	N/A	P2459-36	N/A	N/A
GTB6085	N/A	N/A	N/A	N/A	P2459-42	N/A	N/A
GTB6086	N/A	N/A	N/A	N/A	P2459-48	N/A	N/A
GTB6087	N/A	N/A	N/A	N/A	P2459-54	N/A	N/A
GTB6088	N/A	N/A	N/A	N/A	P2459-60	N/A	N/A
GTB6089	N/A	N/A	N/A	N/A	P2459-72	N/A	N/A
GTB60810	N/A	N/A	N/A	N/A	P2459-84	N/A	N/A
GTB60811	N/A	N/A	N/A	N/A	P2459-96	N/A	N/A
5-Hole "U" Support							
G6091	N/A	N/A	S424U-HG	N/A	N/A	N/A	N/A
G6092	PS 613	UF-AS613 EG	S421U-HG	A-210 EG	P1047	VF-6402	W-5312
G6094	N/A	N/A	S420U-HG	N/A	N/A	N/A	N/A
G6095	N/A	N/A	S419U-HG	N/A	N/A	N/A	N/A
Double 1 5/8" Channel "U" Support							
G610	PS 721	UF-AS721 EG	N/A	A-212 EG	P1043A	N/A	W-5317
Vertical 1 5/8" Channel "U" Support							
G611	**PS 2528 (3-3/4 X 1-5/8)	**UF-AS2528 EG (3-3/4 X 1-5/8)	N/A	**TS-272 EG (3-3/4 X 1-5/8)	**P1834 (3-3/4 X 1-5/8)	**VF-7101 (3-3/4 X 1-5/8)	**W-6604 (3-3/4)
Trolley Beam Joint Support							
G611	**PS 2528 1(3-3/4 X 3-1/2)	**UF-AS2528-1 EG (3-3/4 X 3-1/2)	N/A	**TS-273 EG (3-3/4 X 3-1/2)	**P1834A (3-3/4 X 3-1/2)	**VF-7101A (3-3/4 X 3-1/2)	**W-6603 (3-3/4)
Intersecting 1 5/8" Channel "U" Support							
G613	N/A	N/A	N/A	N/A	N/A	N/A	N/A
2-Hole Clevis							
G6221	N/A	N/A	N/A	N/A	N/A	N/A	N/A
G6222	N/A	N/A	N/A	N/A	N/A	N/A	N/A
G6223	N/A	N/A	N/A	N/A	N/A	N/A	N/A
G6224	PS 993 4"	UF U60 0400EG	S402U-HG	N/A	P1363A	VF-5203A	W-5324
G6225	PS 993 5"	UF U60 0500EG	S403U-HG	N/A	P1363B	VF-5203B	W-5325
G6226	PS 993 6"	UF U60 0600EG	S404U-HG	N/A	P1363C	VF-5203C	W-5326
G6227	PS 993 7"	UF U60 0700EG	S405U-HG	N/A	P1363D	VF-5203D	W-5327
G6228	PS 993 8"	UF U60 0800EG	S406U-HG	N/A	P1363E	VF-5203E	N/A
3-Hole Clevis							
G623	N/A	N/A	N/A	N/A	N/A	**VF-5401A (3-9/32 X 1-7/8)	N/A
3-Hole Suspension Clevis							
G624	N/A	N/A	N/A	N/A	N/A	N/A	N/A
4-Hole Suspension Clevis							
G625	N/A	N/A	N/A	N/A	N/A	N/A	N/A
3-Hole "U" Support							
G617	PS 2119	N/A	N/A	N/A	P1383	VF-2206	N/A
5-Hole "U" Support							
G618	N/A	N/A	N/A	N/A	N/A	N/A	N/A
Closure Strips							
GCLPL	PS 6151	N/A	N/A	N/A	N/A	N/A	W-6547
GCLPG	N/A	N/A	S158CS-G	SPAB-844-PC	P3184 EA	VA-9	W-6565
Single Post Base - Diagonal (7 Hole)							
G619	PS 3013	PB-AS3013 PG	N/A	AP-231 EG	P2072	VF-9601A	W-5813
Double Post Base - Diagonal (8 Hole)							
G619A	PS 3029	PB-AS3029 PG	N/A	AP-234 EG	P2073	VF-9602A	W-5815
Single Flushed Post Base (5 Hole)							
G619FL	N/A	N/A	N/A	AP-231-FL EG	N/A	VF-9601A-FL	N/A
Double Flushed Post Base (6-Hole)							
G619AFL	N/A	N/A	N/A	AP-234-FL EG	N/A	**VF-9602A-FL (8 X 1-5/8 X 3-1/8)	N/A
Double Squared Post Base (8 Hole)							
G619ASQ	N/A	N/A	N/A	AP-232-SQ EG	P2073 SQ	VF-9601A-SQ	N/A
Single Squared Post Base (7 Hole)							
G619SQ	PS 3013 SQ	N/A	N/A	AP-231-SQ EG	P2072 SQ	VF-9602A-SQ	N/A
Single Post Base Diagonal							
G620	PS 3033	PB-AS3033 PG	N/A	AP-232 EG	P2072A	VF-9601	W-5814
Double Post Base Diagonal							
G620A	PS 3064	PB-AS3064 PG	N/A	AP-235 EG	P2073A	VF-9602	W-5816
G620FL1	N/A	N/A	N/A	N/A	N/A	N/A	N/A
Double Flushed Post Base							
G620AFL	PS-2064	N/A	N/A	AP-235-FL EG	N/A	N/A	N/A
Single Flushed Post Base							
G620FL	PS 3025 FL	N/A	N/A	AP-232-FL EG	P2941	**VF-9601-FL (8 X 3-1/8 X 3-1/2)	N/A
Double Squared Post Base							
G620ASQ	N/A	PB-AS3064SQ PG	**S500PB-HG (6X6X3-1/2)	AP-235-SQ EG	P2073A SQ	N/A	W-5816SQ
Single Squared Post Base							
G620SQ	PS 3033 SQ	PB-AS3033SQ PG	S501PB-HG	AP-232-SQ EG	P2072A SQ	VF-9601-SQ	W-5814SQ
Beam Clamp Pierced							
G401	PS 855	BC-AS855 PG	S938BC-EG	A-597	P1796S	N/A	N/A

**ACCESSORIES - Measurements may not be an exact match

CROSS REFERENCE



G-STRUT® (GREGORY IND.)	ANVIL-STRUT (ANVIL INTERNATIONAL)	B-LINE (EATON)	ELITE STRUT (ELITE COMPONENTS)	ERICO/ERISTRUT (NVENT)	FLEX-STRUT (FLEX STRUT)	FLORIDA STRUT (ZSI-FOSTER)	H-STRUT (HAYDON CORP.)	PHD (PHD MFG.)
U-Bolt Beam Clamp								
G402	AS 2651 T1 EG	B441-22 ZN	9SBC337G	BC17A000EG	FS-5709	**BC61 0000EG (3 1/4)	C-402-132	7070
G4021	AS 2651 T2 EG	B441-22A ZN	9SBC500G	BC17D000EG	FS-5708	N/A	C-402-122	7075
G4028	N/A	N/A	N/A	N/A	N/A	N/A	N/A	N/A
Single Bolt Slot Hold Beam Clamp								
G403	N/A	B355 ZN	N/A	N/A	FS-5713 (1-5/8) ?	N/A	N/A	7040
Buttressed Beam Clamp								
G4053/8		N/A						
G4051/2			N/A	N/A	FS5718-1/2	N/A	N/A	
Flange Contact Beam Clamp								
G406	AS 685 EG	B211 ZN	N/A	N/A	FS-5712	N/A	N/A	7030
G407	N/A	B427 (2 X 1-1/2)	N/A	N/A	**FS-5714 (2 X 1-1/2)	N/A	N/A	7020
G4071	AS 684 EG	N/A	N/A	N/A	N/A	N/A	N/A	7025
Flange Contact End Insert Clamp - Parallel								
G4081/4	N/A	B212-3/8 ZN	N/A	N/A	**FS5715 (1-1/4 X 2)	N/A	N/A	7011
G4083/8	N/A	N/A	N/A	N/A	**FS5716 (1-1/4 X 1-1/8)	N/A	N/A	7012
G4082	N/A	B212-1/4	N/A	N/A	**FS5717 (1-1/4 X 2-7/8)	N/A	N/A	N/A
Beam Clamp								
G4101	N/A	N/A	N/A	BC130025EG	N/A	N/A	N/A	N/A
G4102	AS 858 EG 1/4" X 20"	B303 ZN	N/A	N/A	FS-5721	N/A	C-410-1	7005
G4103	AS 858 EG 5/16" X 18"	B304 ZN	N/A	BC130031EG	FS-5722	N/A	C-410-2	N/A
G4104	AS 858 EG 3/8" X 16"	B305 ZN	N/A	BC130037EG	FS-5723	BC160037EG	C-410-3	7006
G4105	AS 858 EG 3/8" X 16"	B306 ZN	PSBC162G	N/A	FS-5724	N/A	C-410-4	7007
G4106	AS 858 EG 1/2" X 13"	B307 ZN	N/A	BC130050EG	FS-5725	BC160050EG	C-410-5	N/A
G4107	AS 858 EG 1/2" X 13"	B308 ZN	N/A	N/A	FS-5726	N/A	C-410-6	N/A
G4108	AS 858 EG 5/8" X 11"	B309 ZN	N/A	BC130062EG	FS-5727	BC160062EG	C-410-7	N/A
G4109	AS 858 EG 5/8" X 11"	N/A	N/A	N/A	FS-5728	N/A	C-410-8	N/A
G4111	AS 865 EG 3/8" X 16"	B321-1 ZN	N/A	2800037EG	FS-5734	N/A	C-411-2	N/A
G4112	AS 865 EG 1/2" X 13"	B321-2 ZN	N/A	2800050EG	FS-5736	BC150037EG	C-411-3	N/A
G4113	N/A	B321-3 ZN	N/A	2800062EG	N/A	BC150050EG	N/A	N/A
Rod Or Insulator Support								
G41213/8	AS 85 EG 3/8	B444-3/8 ZN	N/A	N/A	FS-5718-3/8	BC900037EG	C-440-3/8	N/A
G41221/2	AS 85 EG 1/2	B444-1/2 ZN	N/A	N/A	FS5718-1/2	BC900050EG	C-440-1/2	N/A
Wide Mouth Beam Clamp								
G4133/8		B3033-3/8 ZN	N/A	N/A	FS-5734	BC170037EG	C-430-1	N/A
G41321/2		B3033-1/2 ZN	N/A	N/A	FS-5736	BC170050EG	C-430-2	N/A
G41335/8		B3033-5/8 ZN	N/A	N/A	N/A	N/A	C-430-3	N/A
G41343/4		B3033-3/4 ZN	N/A	N/A	N/A	N/A	C-430-4	N/A
G41357/8		N/A	N/A	N/A	N/A	N/A	N/A	N/A
Small Mouth Beam Clamp (Plain Finish)								
G41411/4		N/A	N/A	N/A	N/A	N/A	N/A	N/A
G41423/8		B3034-3/8 ZN	N/A	N/A	FS5710-3/8	N/A	C-420-1	7001
G41431/2		B3034-1/2 ZN	N/A	N/A	FS5710-1/2	N/A	C-420-2	7002
Small Mouth Reversible Beam Clamps								
G415		N/A	N/A	N/A	N/A	N/A	N/A	N/A
Stair Support								
GM601	AS 2422 37 1/2 HG	B562 ZN	N/A	N/A	N/A	N/A	M-601	5861
GM602	AS 2421 45 HG	B560 ZN	N/A	N/A	N/A	N/A	M-602	5860
Ladder Rung								
GM6101	AS 2401 HG	B411-12 ZN	N/A	N/A	N/A	N/A	M-610-1	5825
GM6102	AS 2402 HG	B411-15 ZN	N/A	N/A	N/A	N/A	M-610-2	5826
GM6103	AS 2403 HG	B411-18 ZN	N/A	N/A	N/A	N/A	M-610-3	5827
Wall Bracket								
GM6111	AS 2404 HG	B381 ZN	N/A	N/A	N/A	N/A	M-611-1	5830
GM6112	AS 2405 HG	B382 ZN	N/A	N/A	N/A	N/A	M-611-2	5831
GM6113	AS 2406 HG	B383 ZN	N/A	N/A	N/A	N/A	M-611-3	5832
GM6114	AS 2407 HG	N/A	N/A	N/A	N/A	N/A	M-611-4	5833
GM6115	AS 2408 HG	N/A	N/A	N/A	N/A	N/A	M-611-5	5834
Single Channel Flat Plate Bracket								
GT6121	AS 651 EG 6"	B409-6 ZN	N/A	BR220600EG	FS-5636-6	BR400600EG	T-610-6" PG	6130
GT6122	AS 651 EG 12"	B409-12 ZN	N/A	BR221200EG	FS-5636-12	BR401200EG	T-610-12" PG	6132
GT6123	AS 651 EG 18"	B409-18 ZN	N/A	BR221800EG	FS-5636-18	BR401800EG	T-610-18" PG	6134
GT6124	AS 651 EG 24"	B409-24 ZN	N/A	BR222400EG	FS-5636-24	BR402400EG	T-610-24" PG	6135
Bracket								
GT613	N/A	B293-6 ZN	N/A	N/A	N/A	N/A	N/A	N/A
GT6131	N/A	B293-12 ZN	N/A	N/A	N/A	N/A	N/A	N/A
GT615	AS 708 EG	N/A	N/A	N/A	**FS-5651 (5-7/8 X 4-3/4)	**BR30 0000EG (5-5/8 X 4-7/8)	N/A	6305
Double Channel Bracket Support								
GT616	AS 3164 EG	N/A	N/A	N/A	FS-5650	**BR31 0000EG (8 X 4-1/2)	N/A	6310
Wrap Around Channel Bracket								
GT6171	N/A	B196-18 ZN	N/A	N/A	FS-5635-18	BR411800EG	N/A	6246
GT6172	N/A	B196-24 ZN	N/A	N/A	FS-5635-24	BR412400EG	N/A	6248
Interlocking Channel Bracket (Slot Up)								
GT6181	N/A	N/A	N/A	N/A	FS-5631-6	**BR430600EG (3-5/8 X 6)	N/A	6202
GT6182	N/A	N/A	N/A	N/A	N/A	FS-5631-12	N/A	N/A

** ACCESSORIES - Measurements may not be an exact match

CROSS REFERENCE



G-STRUT • 4100 13th Street, SW • Canton, Ohio 44710
Call 866-997-8788 • Fax 330-477-0626 • www.gstrut.com

G-STRUT® (GREGORY IND.)	POWER-STRUT (ATKORE)	PUPCO (POWER UTILITY PRODUCTS)	SASCO STRUT (SASCO TUBE & ROLLFORM)	SUPERSTRUT (ABB GROUP/T&B)	UNISTRUT (ATKORE)	VERSABAR (VERSABAR CORP.)	WESANCO (ZSI-FOSTER)
U-Bolt Beam Clamp							
G402	PS 2651 T1	N/A	N/A	U-501 EG (3-3/16)	P2785	N/A	N/A
G4021	PS 2651 T2	N/A	N/A	U-502 EG (4-13/16)	P2786	N/A	N/A
G4028	N/A	N/A	N/A	N/A	P2787	N/A	N/A
Single Bolt Slot Hold Beam Clamp							
G403	**PS 686 (1-7/8)	N/A	N/A	N/A	N/A	N/A	N/A
Buttressed Beam Clamp							
G4053/8				N/A	N/A		N/A
G4051/2				N/A	N/A		N/A
Flange Contact Beam Clamp							
G406	PS 685	N/A	N/A	N/A	P1379S	VX-7106-A	W-5712
G407	N/A	N/A	N/A	N/A	N/A	N/A	N/A
G4071	N/A	N/A	N/A	N/A	N/A	N/A	N/A
Flange Contact End Insert Clamp - Parallel							
G4081/4	**PS-907 (1-1/4 X 1-3/16)	N/A	N/A	U-514-EG	P1272S	N/A	W-5717
G4083/8	**PS-998 (1-1/4 X 1-3/16)	N/A	N/A	N/A	P1985S	N/A	N/A
G4082	N/A	**BCAS907 PG (1 X 2)	N/A	N/A	N/A	N/A	N/A
Beam Clamp							
G4101	N/A	N/A		U-560-1/4 EG	N/A	N/A	N/A
G4102	PS 858 1/4	N/A		U-560-5/16 EG	P1648S	VX-7011-A	W-5721
G4103	PS 858 5/16	N/A		U-560-3/8 EG	P1649S	VX-7012-A	W-5722
G4104	N/A	BC-AS858L-3/8		U-560-3/8 EG	P1649AS	VX-7013-A	W-5723
G4105	PS 858 3/8	N/A		U-560-1/2 EG	P1650S	VX-7014-A	W-5724
G4106	N/A	BC-AS858L-1/2		U-560-1/2 EG	P1650AS	VX-7015-A	W-5725
G4107	PS-858-1/2	N/A		U-560-5/8 EG	P1651S	VX-7016-A	W-5726
G4108	N/A	N/A		U-560-5/8 EG	P1651AS	VX-7017-A	W-5727
G4109	PS-858-5/8	N/A		U-560-3/4 EG	P1652S	VX-7018-A	W-5728
G4111	PS 865 3/8	BC-AS865-3/8		U-564-3/8EG	P2401S	VX-7004-A	W-5718
G4112	PS 865 1/2	BC-AS865-1/2		U-564-1/2EG	P2403S	VX-7006-A	W-5719
G4113	PS 865 5/8	N/A		N/A	P2406S	VX-7008-A	N/A
Rod Or Insulator Support							
G41213/8	N/A	BC-500 3/8	N/A	N/A	P2894-37	N/A	N/A
G41221/2	N/A	BC-500 1/2	N/A	N/A	P2894-50	N/A	N/A
Wide Mouth Beam Clamp							
G41313/8	N/A	BC-FIG.61 3/8 PG		M-778-3/8 EG	P2899-37	N/A	W-5733
G41321/2	N/A	BC-FIG.61 1/2 PG		M-778-1/2 EG	P2899-50	N/A	W-5735
G41335/8	PS 94 5/8	BC-FIG.61 5/8 PG		M-778-5/8 EG	P2899-62	N/A	W-5737
G41343/4	PS 94 3/4	BC-FIG.61 3/4 PG		M-778-3/4 EG	P2899-75	N/A	W-5739
G41357/8	N/A	BC-FIG.61 7/8 PG		N/A	N/A	N/A	N/A
Small Mouth Beam Clamp (Plain Finish)							
G41411/4	N/A	BC-AS858 3/8		N/A	P2898-37	N/A	N/A
G41423/8	N/A	BC-AS858 1/2		M-777-3/8 EG	N/A	N/A	N/A
G41431/2	N/A	BC-AS858 5/8		M-777-1/2 EG	P2898-50	N/A	N/A
Small Mouth Reversible Beam Clamps							
G415	N/A	N/A		N/A	N/A	N/A	N/A
Stair Support							
GM601	PS 2422	N/A	N/A	N/A	P2655	VF-7045 37-1/2	N/A
GM602	PS 2421	N/A	N/A	N/A	P1944	VF-7045 45	N/A
Ladder Rung							
GM6101	PS 2401	N/A	N/A	N/A	P1201	VF-6108	N/A
GM6102	PS 2402	N/A	N/A	N/A	P1202	VF-6109	N/A
GM6103	PS 2403	N/A	N/A	N/A	P1203	VF-6110	N/A
Wall Bracket							
GM6111	PS 2404	N/A	S780-6HG	AN-270-1 EG	P1204	VF-6111	N/A
GM6112	PS 2405	N/A	S780-8HG	AN-270-2 EG	P1205	VF-6112	N/A
GM6113	PS 2406	N/A	S780-10HG	AN-270-3 EG	P1206	VF-6113	N/A
GM6114	PS 2407	N/A	S780-12HG	AN-270-4 EG	P1207	VF-6114	N/A
GM6115	PS 2408	N/A	S780-14HG	AN-270-5 EG	P1208	VF-6115	N/A
Single Channel Flat Plate Bracket							
GT6121	**PS 651 (4-5/8 X 6)	BR-AS651-6	N/A	S250 6 EG	P2944	**VB-1060-FP (5-3/8 X 6)	N/A
GT6122	**PS 651 (4-5/8 X 12)	BR-AS651-12	N/A	S250-12 EG	P2945	**VB-1120-FP (5-3/8 X 8)	N/A
GT6123	**PS 651 (4-5/8 X 18)	BR-AS651-18	N/A	S250-18 EG	P2946	**VB-1180-FP (5-3/8 X 10)	N/A
GT6124	**PS 651 (4-5/8 X 24)	BR-AS651-24	N/A	S250-24 EG	P2947	**VB-1240-FP (5-3/8 X 12)	N/A
Bracket							
GT613	PS 661 T1 6	N/A	N/A	N/A	N/A	N/A	N/A
GT6131	PS 661 T1 12	N/A	N/A	N/A	N/A	N/A	N/A
GT615	PS 708	**BR-AS708 (5-5/8 X 4-7/8)	N/A	S247 EG	P1075	VF-7301	W-5651
Double Channel Bracket Support							
GT616	PS 3164	**BR-AS3164 (8 X 4-1/2)	N/A	S248 EG	P1593	VF-7301-B	W-5650
Wrap Around Channel Bracket							
GT6171	PS 661 T2 18	BR-AS661-18	N/A	N/A	P2233	VB-1180	W-5647
GT6172	PS 661 T2 24	BR-AS661-24	N/A	N/A	P2234	VB-1240	W-5648
Interlocking Channel Bracket (Slot Up)							
GT6181	**PS 808 T1 (3-3/4 X 6)	BR-AS808T1 6	N/A	S256 6 EG	**P2513 (3-3/4 X 6)	VB-1060-X	W-5631
GT6182	**PS 808 T1 (3-3/4 X 12)	BR-AS808T1 12	N/A	S256 12 EG	**P2514 (3-3/4 X 12)	VB-1120-X	W-5632

** ACCESSORIES - Measurements may not be an exact match

G-STRUT® (GREGORY IND.)	ANVIL-STRUT (ANVIL INTERNATIONAL)	B-LINE (EATON)	ELITE STRUT (ELITE COMPONENTS)	ERICO/ERISTRUT (NVENT)	FLEX-STRUT (FLEX STRUT)	FLORIDA STRUT (ZSI-FOSTER)	H-STRUT (HAYDON CORP.)	PHD (PHD MFG.)
Interlocking Channel Bracket (Slot Up)								
GT6183	N/A	N/A	N/A	N/A	FS-5631-18	**BR431800EG (3-5/8 X 18)	N/A	6206
GT6184	N/A	N/A	N/A	N/A	FS-5631-24	**BR432400EG (3-5/8 X 24)	N/A	6208
Interlocking Channel Bracket (Slot Down)								
GT6181	N/A	N/A	N/A	N/A	FS-5632-6	**BR440600EG (3 5/8 X 6)	N/A	6212
GT6182	N/A	N/A	N/A	N/A	FS-5632-12	**BR441200EG (3 5/8 X 12)	N/A	6214
GT6183	N/A	N/A	N/A	N/A	FS-5632-18	**BR441800EG (3 5/8 X 18)	N/A	6216
GT6184	N/A	N/A	N/A	N/A	FS-5632-24	**BR442400EG (3 5/8 X 24)	N/A	6218
Shelf Bracket								
GT6191	N/A	N/A	N/A	N/A	FS-5639 8-1/2	BR200850EG	T-630-1	6101
GT6192	N/A	B541	N/A	N/A	FS-5639 10-1/2	BR201050EG	T-630-2	6102
GT6193	N/A	N/A	N/A	N/A	FS-5639 12-1/2	BR211250EG	T-630-3	6121
GT6194	N/A	N/A	N/A	N/A	FS-5639 14-1/2	BR211450EG	T-630-4	6122
Shelf Supports								
GT6206L	N/A	B184SH L ZN	N/A	N/A	FS-5600-6L	N/A	N/A	6170L 6
GT6206R	N/A	B184SH R ZN	N/A	N/A	FS-5600-6R	N/A	N/A	6170R 6
GT6208L	AS 838 LH EG (8 X 2-15/16)	B185SH L ZN	N/A	N/A	FS-5600-8L	BR8L0800EG	T-620/8-L (8 X 2-15/16)	6171L 8
GT6208R	AS 838 RH EG (8 X 2-15/16)	B185SH R ZN	N/A	N/A	FS-5600-8R	BR8R0800EG	T-620/8-R (8 X 2-15/16)	6171R 8
GT62010L	AS 838 LH EG 10 X 2-15/16	B186SH L ZN	N/A	N/A	FS-5600-10L	**BR8L1000EG (10 X 2-7/8)	T-620/10-L	6172L 10
GT62010R	AS 838 RH EG 10 X 2-15/16	B186SH R ZN	N/A	N/A	FS-5600-10R	**BR8R1000EG (10 X 2-7/8)	T-620/10-R	6172R 10
GT62112L	AS 838 LH EG 12" X 3-7/16"	B178SH L ZN	N/A	N/A	FS-5600-12L	BR8L1200EG	T-621/12-L	6164L 12
GT62112R	AS 838 RH EG 12" X 3-7/16"	B178SH R ZN	N/A	N/A	FS-5600-12R	BR8R1200EG	T-621/12-R	6164R 12
GT62114L	AS 838 LH EG 14 X 3-15/16	B179SH L ZN	N/A	N/A	FS-5600-14L	BR8L1400EG	T-621/14-L	6165L 14
GT62114R	AS 838 RH EG 14 X 3-15/16	B179SH R ZN	N/A	N/A	FS-5600-14R	BR8R1400EG	T-621/14-R	6165R 14
GT62116L	AS 838 LH EG 16 X 4-7/16	B180SH L ZN	N/A	N/A	FS-5600-16L	BR8L1600EG	T-621/16-L	6166L 16
GT62116R	AS 838 RH EG 16 X 4-7/16	B180SH R ZN	N/A	N/A	FS-5600-16R	BR8R1600EG	T-621/16-R	6166R 16
GT62118L	AS 838 LH EG 18 X 4-15/16	B181SH L ZN	N/A	N/A	FS-5600-18L	BR8L1800EG	T-621/18-L	6167L 18
GT62118R	AS 838 RH EG 18 X 4-15/16	B181SH R ZN	N/A	N/A	FS-5600-18R	BR8R1800EG	T-621/18-R	6167R 18
GT62120L	AS 838 LH EG 20 X 5-7/16	B182SH L ZN	N/A	N/A	FS-5600-20L	BR8L2000EG	T-621/20-L	6168L 20
GT62120R	AS 838 RH EG 20 X 5-7/16	B182SH R ZN	N/A	N/A	FS-5600-20R	BR8R2000EG	T-621/20-R	6168R 20
GT62122L	AS 838 LH EG 22 X 5-15/16	B183SH L ZN	N/A	N/A	FS-5600-22L	BR8L2200EG	T-621/22-L	6169L 22
GT62122R	AS 838 RH EG 22 X 5-15/16	B183SH R ZN	N/A	N/A	FS-5600-22R	BR8R2200EG	T-621/22-R	6169R 22
GT62224L	AS 838 LH EG 24 X 6-7/16	B174SH L ZN	N/A	N/A	FS-5600-24L	BR8L2400EG	T-622/24-L	6160L 24
GT62224R	AS 838 RH EG 24 X 6-7/16	B174SH R ZN	N/A	N/A	FS-5600-24R	BR8R2400EG	T-622/24-R	6160R 24
GT62226L	AS 838 LH EG 26 X 6-15/16	B175SH L ZN	N/A	N/A	FS-5600-26L	BR8L2600EG	T-622/26-L	6161L 26
GT62226R	AS 838 RH EG 26 X 6-15/16	B175SH R ZN	N/A	N/A	FS-5600-26R	BR8R2600EG	T-622/26-R	6161R 26
GT62228L	AS 838 LH EG 28 X 7-7/16	B176SH L ZN	N/A	N/A	FS-5600-28L	BR8L2800EG	T-622/28-L	6162L 28
GT62228R	AS 838 RH EG 28 X 7-7/16	B176SH R ZN	N/A	N/A	FS-5600-28R	BR8R2800EG	T-622/28-R	6162R 28
GT62230L	AS 838 LH EG 30 X 7-15/16	B177SH L ZN	N/A	N/A	FS-5600-30L	BR8L3000EG	T-622/30-L	6163L 30
GT62230R	AS 838 RH EG 30 X 7-15/16	B177SH R ZN	N/A	N/A	FS-5600-30R	BR8R3000EG	T-622/30-R	6163R 30
Shelf Bracket								
GT6231	N/A	B290 ZN	N/A	N/A	FS-5639-16 1/2	BR221650EG	T-630-5	6123
GT6232	N/A	B291 ZN	N/A	N/A	**FS-5639 18 (18 X 6)	BR221850EG	T-630-6	6124
GT6233	N/A	B292 ZN	N/A	N/A	N/A	BR222050EG	T-630-7	6125
Braced Single Bracket								
GT6251	N/A	B494-12 ZN	N/A	N/A	FS-5638-12	BR451200EG	N/A	6150
GT6252	N/A	N/A	N/A	N/A	FS-5638-18	BR451800EG	N/A	6151
GT6253	N/A	B494-24 ZN	N/A	N/A	FS-5638-24	BR452400EG	N/A	6152
Conduit Clamps - Emt								
GC110037	AS 1000 EG 3/8	B2000 ZN	N/A	N/A	FS-1000-3/8	N/A	C1100-3/8	2201
GC110050	N/A	B2001 ZN	N/A	N/A	N/A	N/A	N/A	2202
GC110050ASMBL	AS 1000 EG 1/2	B2001 PA ZN	N/A	N/A	EMTCC0200EG	FS-1000A-1/2	SCE 0050EG	C1100-1/2AS
GC110075	N/A	B2002 ZN	N/A	N/A	N/A	N/A	N/A	2203
GC110075ASMBL	AS 1000 EG 3/4	B2002 PA ZN	N/A	N/A	EMTCC0100EG	FS-1000A-3/4	SCE 0075EG	C1100-3/4AS
GC110100	N/A	B2003 ZN	N/A	N/A	N/A	N/A	N/A	2204
GC110100ASMBL	AS 1000 EG 1	B2003 PA ZN	N/A	N/A	EMTCC0125EG	FS-1000A-1	SCE 0100EG	C1100-1AS
GC110125	N/A	B2004 ZN	N/A	N/A	N/A	N/A	N/A	2205
GC110125ASMBL	AS 1000 EG 1-1/4	B2004 PA ZN	N/A	N/A	EMTCC0125EG	FS-1000A-1/4	SCE 0125EG	C1100-1 1/4AS
GC110150	N/A	B2005 ZN	N/A	N/A	N/A	N/A	N/A	2206
GC110150ASMBL	AS 1000 EG 1-1/2	B2005 PA ZN	N/A	N/A	EMTCC0150EG	FS-1000A-1-1/2	SCE 0150EG	C1100-1 1/2AS
GC110200	N/A	B2006 ZN	N/A	N/A	N/A	N/A	N/A	2207
GC110200ASMBL	AS 1000 EG 2	B2006 PA ZN	N/A	N/A	EMTCC0200EG	FS-1000A-2	SCE 0200EG	C1100-2AS
Conduit Clamps - Standard - Rigid								
GC112037	AS 1100 EG 3/8	B2001 ZN	9SRC0037G	N/A	FS-1100-3/8	SCR 0037EG	C1102-3/8	2001
GC112050	N/A	B2008 ZN	9SRC0050G	N/A	N/A	N/A	N/A	2002
GC112050ASMBL	AS 1100 EG 1/2	B2008 PA ZN	N/A	N/A	FS-1100A-1/2	SCR 0050EG	C1102-1/2AS	N/A
GC112075	N/A	B2009 ZN	9SRC0075G	N/A	N/A	N/A	N/A	2003
GC112075ASMBL	AS 1100 EG 3/4	B2009 PA ZN	N/A	N/A	FS-1100A-3/4	SCR 0075EG	C1102-3/4AS	N/A
GC112100	N/A	B2010 ZN	9SRC0100G	N/A	N/A	N/A	N/A	2004
GC112100ASMBL	AS 1100 EG 1	B2010 PA ZN	N/A	N/A	FS-1100A-1	SCR 0100EG	C1102-1AS	N/A
GC112125	N/A	B2011 ZN	9SRC0125G	N/A	N/A	N/A	N/A	2005
GC112125ASMBL	AS 1100 EG 1-1/4	B2011 PA ZN	N/A	N/A	FS-1100A-1-1/4	SCR 0125EG	C1102-1 1/4AS	N/A
GC112150	N/A	B2012 ZN	9SRC0150G	N/A	N/A	N/A	N/A	2006
GC112150ASMBL	AS 1100 EG 1-1/2	B2012 PA ZN	N/A	N/A	FS-1100A-1-1/2	SCR 0150EG	C1102-1 1/2AS	N/A
GC112200	N/A	B2013 ZN	9SRC0200G	N/A	N/A	N/A	N/A	2007

** ACCESSORIES - Measurements may not be an exact match



G-STRUT® (GREGORY IND.)	POWER-STRUT (ATKORE)	PUPCO (POWER UTILITY PRODUCTS)	SASCO STRUT (SASCO TUBE & ROLLFORM)	SUPERSTRUT (ABB GROUP/T&B)	UNISTRUT (ATKORE)	VERSABAR (VERSABAR CORP.)	WESANCO (ZSI-FOSTER)
Interlocking Channel Bracket (Slot Up)							
GT6183	**PS 808 T1 (3-3/4 X 18)	BR-AS808T1 18	N/A	S256 18 EG	**P2515 (3-3/4 X 18)	VB-1180-X	W-5633
GT6184	**PS 808 T1 (3-3/4 X 24)	BR-AS808T1 24	N/A	S256 24 EG	**P2516 (3-3/4 X 24)	VB-1240-X	W-5634
Interlocking Channel Bracket (Slot Down)							
GT6181	**PS 808 T2 (3-3/4 X 6)	BR-AS808T2 6	N/A	N/A	**P2513A (3-3/4 X 6)	VB-1060-XD	W-5635
GT6182	**PS 808 T2 (3-3/4 X 12)	BR-AS808T2 12	N/A	N/A	**P2514A (3-3/4 X 12)	VB-1120-XD	W-5636
GT6183	**PS 808 T2 (3-3/4 X 18)	BR-AS808T2 18	N/A	N/A	**P2515A (3-3/4 X 18)	VB-1180-XD	W-5637
GT6184	**PS 808 T2 (3-3/4 X 24)	BR-AS808T2 24	N/A	N/A	**P2516A (3-3/4 X 24)	VB-1240-XD	W-5638
Shelf Bracket							
GT6191	PS 732 8-1/2 X 4"	BR-AS732-8	N/A	S204	P1769	VB-4085	W-5669
GT6192	PS 732 10-1/2 X 4"	BR-AS732-10	N/A	S205	P1771	VB-4105	W-5671
GT6193	PS 732 12-1/2 X 6"	N/A	N/A	S217	P1773	VB-4125	W-5673
GT6194	PS 732 14-1/2 X 6"	N/A	N/A	S218	P1775	VB-4145	W-5675
Shelf Supports							
GT6206L	N/A	N/A	N/A	S201-L6 EG	P2491 L	VB-2106-SL-L	W-5601
GT6206R	N/A	N/A	N/A	S201-R6 EG	P2491 R	VB-2106-SL-R	W-5602
GT6208L	N/A	N/A	N/A	S201-L8 EG	P2492 L	VB-2108-SL-L	W-5603
GT6208R	N/A	N/A	N/A	S201-R8 EG	P2492 R	VB-2108-SL-R	W-5604
GT62010L	PS 838 10L	N/A	N/A	S201-L10 EG	P2493 L	VB-2110-SL-L	W-5605
GT62010R	PS 838 10R	N/A	N/A	S201-R10 EG	P2493 R	VB-2110-SL-R	W-5606
GT62112L	PS 838 12L	BR-AS838-12L	N/A	S201-L12 EG	P2494 L	VB-2112-SL-L	W-5607
GT62112R	PS 838 12R	BR-AS838-12R	N/A	S201-R12 EG	P2494 R	VB-2112-SL-R	W-5608
GT62114L	PS 838 14L	BR-AS838-14L	N/A	S201-L14 EG	P2495 L	VB-2114-SL-L	W-5609
GT62114R	PS 838 14R	BR-AS838-14R	N/A	S201-R14 EG	P2495 R	VB-2114-SL-R	W-5610
GT62116L	PS 838 16L	BR-AS838-16L	N/A	S201-L16 EG	P2496 L	VB-2116-SL-L	W-5611
GT62116R	PS 838 16R	BR-AS838-16R	N/A	S201-R16 EG	P2496 R	VB-2116-SL-R	W-5612
GT62118L	PS 838 18L	BR-AS838-18L	N/A	S201-L18 EG	P2497 L	VB-2118-SL-L	W-5613
GT62118R	PS 838 18R	BR-AS838-18R	N/A	S201-R18 EG	P2497 R	VB-2118-SL-R	W-5614
GT62120L	PS 838 20L	BR-AS838-20L	N/A	S201-L20 EG	P2498 L	VB-2120-SL-L	W-5615
GT62120R	PS 838 20R	BR-AS838-20R	N/A	S201-R20 EG	P2498 R	VB-2120-SL-R	W-5616
GT62122L	PS 838 22L	BR-AS838-22L	N/A	N/A	P2499 L	VB-2122-SL-L	W-5617
GT62122R	PS 838 22R	BR-AS838-22R	N/A	N/A	P2499 R	VB-2122-SL-R	W-5618
GT62224L	PS 838 24L	BR-AS838-24L	N/A	N/A	P2500 L	VB-2124-SL-L	W-5619
GT62224R	PS 838 24R	BR-AS838-24R	N/A	N/A	P2500 R	VB-2124-SL-R	W-5620
GT62226L	PS 838 26L	BR-AS838-26L	N/A	N/A	P2501 L	VB-2126-SL-L	W-5621
GT62226R	PS 838 26R	BR-AS838-26R	N/A	N/A	P2501 R	VB-2126-SL-R	W-5622
GT62228L	PS 838 28L	BR-AS838-28L	N/A	N/A	P2502 L	VB-2128-SL-L	W-5623
GT62228R	PS 838 28R	BR-AS838-28R	N/A	N/A	P2502 R	VB-2128-SL-R	W-5624
GT62230L	PS 838 30L	BR-AS838-30L	N/A	N/A	P2503 L	VB-2130-SL-L	W-5625
GT62230R	PS 838 30R	BR-AS838-30R	N/A	N/A	P2503 R	VB-2130-SL-R	W-5626
Shelf Bracket							
GT6231	PS 732 16	BR-AS732-16	N/A	S222 EG	P1777	VB-4165	W-5677
GT6232	PS 732 18	BR-AS732-18	N/A	S226 EG	NA	VB-4185	N/A
GT6233	PS 732 20	BR-AS732-20	N/A	S236 EG	NA	VB-4205	N/A
Braced Single Bracket							
GT6251	PS 3282 12	BR-AS3282-12	N/A	N/A	N/A	VB-4120	N/A
GT6252			N/A	N/A	N/A	VB-4180	N/A
GT6253	PS 3282 24	BR-AS3282-24	N/A	N/A	N/A	N/A	N/A
Conduit Clamps - Emt							
GC110037	N/A		S38TW	700-3/8-STR-EG	P1425	VPT-1037	W-6025
GC110050	N/A		N/A	N/A	N/A	N/A	N/A
GC110050ASMBL	PS 1000 1/2		S12TW	700-1/2-STR-EG	P1426AS	VPT-1050	W-6026
GC110075	N/A		N/A	N/A	N/A	N/A	N/A
GC110075ASMBL	PS 1000 3/4		S34TW	700-3/4-STR-EG	P1427AS	VPT-1075	W-6028
GC110100	N/A		N/A	N/A	N/A	N/A	N/A
GC110100ASMBL	PS 1000 1		S1TW	700-1-STR-EG	P1428AS	VPT-1100	W-6030
GC110125	N/A		N/A	N/A	N/A	N/A	N/A
GC110125ASMBL	PS 1000 1-1/4		S114TW	700-1-1/4-STR-EG	P1429AS	VPT-1125	W-6032
GC110150	N/A		N/A	N/A	N/A	N/A	N/A
GC110150ASMBL	PS 1000 1-1/2		S112TW	700-1-1/2-STR-EG	P1430AS	VPT-1150	W-6034
GC110200	N/A		N/A	N/A	N/A	N/A	N/A
GC110200ASMBL	PS 1000 2		S2TW	700-2-STR-EG	P1431AS	VPT-1200	W-6038
Conduit Clamps - Standard - Rigid							
GC112037	PS 1100 3/8		S38R	702-3/8	P1109	VP-1037	W-6125
GC112050	N/A		N/A	N/A	N/A	N/A	N/A
GC112050ASMBL	PS 1100 1/2		S12R	702-1/2 EG	P1111 AS	VP-1050	W-6126
GC112075	N/A		N/A	N/A	N/A	N/A	N/A
GC112075ASMBL	PS 1100 3/4		S34R	702-3/4 EG	P1112 AS	VP-1075	W-6128
GC112100	N/A		N/A	N/A	N/A	N/A	N/A
GC112100ASMBL	PS 1100 1		S1R	702-1 EG	P1113 AS	VP-1100	W-6130
GC112125	N/A		N/A	N/A	N/A	N/A	N/A
GC112125ASMBL	PS 1100 1-1/4		S114R	702-1-1/4 EG	P1114 AS	VP-1125	W-6132
GC112150	N/A		N/A	N/A	N/A	N/A	N/A
GC112150ASMBL	PS 1100 1-1/2		S112R	702-1-1/2 EG	P1115 AS	VP-1150	W-6134
GC112200	N/A		N/A	N/A	N/A	N/A	N/A

** ACCESSORIES - Measurements may not be an exact match

G-STRUT® (GREGORY IND.)	ANVIL-STRUT (ANVIL INTERNATIONAL)	B-LINE (EATON)	ELITE STRUT (ELITE COMPONENTS)	ERICO/ERISTRUT (NVENT)	FLEX-STRUT (FLEX STRUT)	FLORIDA STRUT (ZSI-FOSTER)	H-STRUT (HAYDON CORP.)	PHD (PHD MFG.)
Conduit Clamps - Standard - Rigid								
GC112200ASMBL	AS 1100 EG 2	B2013 PA ZN	N/A	N/A	FS-1100A-2	SCR 0200EG	C1102-2AS	N/A
GC112250	N/A	B2014 ZN	9SRC0250G	N/A	N/A	N/A	N/A	2008
GC112250ASMBL	AS 1100 EG 2-1/2	B2014 PA ZN	N/A	N/A	FS-1100A-2-1/2	SCR 0250EG	C1102-2 1/2AS	N/A
GC112300	N/A	B2015 ZN	9SRC0300G	N/A	N/A	N/A	N/A	2009
GC112300ASMBL	AS 1100 EG 3	B2015 PA ZN	N/A	N/A	FS-1100A-3	SCR 0300EG	C1102-3AS	N/A
GC112350	N/A	B2016 ZN	9SRC0350G	N/A	N/A	N/A	N/A	2010
GC112350ASMBL	AS 1100 EG 3-1/2	B2016 PA ZN	N/A	N/A	FS-1100A-3-1/2	SCR 0350EG	C1102-3 1/2AS	N/A
GC112400	N/A	B2017 ZN	9SRC0400G	N/A	N/A	N/A	N/A	2011
GC112400ASMBL	AS 1100 EG 4	B2017 PA ZN	N/A	N/A	FS-1100A-4	SCR 0400EG	C1102-4AS	N/A
GC112500	AS 1100 EG 5	B2019 ZN	9SRC0500G	N/A	FS-1100-5	SCR 0500EG	C1102-5	2012
GC112600	AS 1100 EG 6	B2020 ZN	9SRC0600G	N/A	FS-1100-6	SCR 0600EG	C1102-6	2013
GC112800	AS 1100 EG 8	B2022 ZN	9SRC0800G	N/A	FS-1100-8	SCR 0800EG	C1102-8	2014
GC1121000	AS 1100 EG 10	B2130 ZN	N/A	N/A	FS-1100-10	SCR 1000EG	C1102-10	2015
Conduit Clamps - Universal								
GC114037	N/A	B2207 ZN	N/A	N/A	FS-1300-3/8	N/A	C1104-3/8	2101
GC114050	N/A	B2208 ZN	N/A	N/A	N/A	SCU 0050EG	N/A	2102
GC114050ASMBL	AS 1300 EG 1/2	B2208 PA ZN	N/A	N/A	FS-1300A-1/2	N/A	C1104-1/2AS	N/A
GC114075	N/A	B2209 ZN	N/A	N/A	N/A	SCU 0075EG	N/A	2103
GC114075ASMBL	AS 1300 EG 3/4	B2209 PA ZN	N/A	N/A	FS-1300A-3/4	N/A	C1104-3/4AS	N/A
GC114100	N/A	B2210 ZN	N/A	N/A	N/A	SCU 0100EG	N/A	2104
GC114100ASMBL	AS 1300 EG 1	B2210 PA ZN	N/A	N/A	FS-1300A-1	N/A	C1104-1AS	N/A
GC114125	N/A	B2211 ZN	N/A	N/A	N/A	SCU 0125EG	N/A	2105
GC114125ASMBL	AS 1300 EG 1-1/4	B2211 PA ZN	N/A	N/A	FS-1300A-1-1/4	N/A	C1104-1 1/4AS	N/A
GC114150	N/A	B2212 ZN	N/A	N/A	N/A	SCU 0150EG	N/A	2106
GC114150ASMBL	AS 1300 EG 1-1/2	B2212 PA ZN	N/A	N/A	FS-1300A-1-1/2	N/A	C1104-1 1/2AS	N/A
GC114200	N/A	B2213 ZN	N/A	N/A	N/A	SCU 0200EG	N/A	2107
GC114200ASMBL	AS 1300 EG 2	B2213 PA ZN	N/A	N/A	FS-1300A-2	N/A	C1104-2AS	N/A
Conduit Clamps - O.D. Tubing								
GC111025	AS 1200 O.D. EG 1/4	B2023 ZN	9EOD0025G	N/A	FS-1200-1/4	SCO 0025EG	C1101-1/4	2401
GC111037	AS 1200 O.D. EG 3/8	B2024 ZN	9EOD0037G	N/A	FS-1200-3/8	SCO 0037EG	C1101-3/8	2402
GC111050	AS 1200 O.D. EG 1/2	B2025 ZN	9EOD0050G	N/A	FS-1200-1/2	SCO 0050EG	C1101-1/2	2403
GC111062	AS 1200 O.D. EG 5/8	B2026 ZN	9EOD0062G	N/A	FS-1200-5/8	SCO 0062EG	C1101-5/8	2404
GC111075	AS 1200 O.D. EG 3/4	B2027 ZN	9EOD0075G	N/A	FS-1200-3/4	SCO 0075EG	C1101-3/4	2405
GC111087	AS 1200 O.D. EG 7/8	B2028 ZN	9EOD0087G	N/A	FS-1200-7/8	SCO 0087EG	C1101-7/8	2406
GC111100	AS 1200 O.D. EG 1	B2029 ZN	9EOD0100G	N/A	FS-1200-1	SCO 0100EG	C1101-1	2407
GC111112	AS 1200 O.D. EG 1-1/8	B2030 ZN	9EOD0112G	N/A	FS-1200-1-1/8	SCO 0112EG	C1101-1 1/8	2408
GC111125	AS 1200 O.D. EG 1-1/4	B2031 ZN	9EOD0125G	N/A	FS-1200-1-1/4	SCO 0125EG	C1101-1 1/4	2409
GC111137	AS 1200 O.D. EG 1-3/8	B2032 ZN	9EOD0137G	N/A	FS-1200-1-3/8	SCO 0137EG	C1101-1 3/8	2410
GC111150	AS 1200 O.D. EG 1-1/2	B2004 ZN	9EOD0150G	N/A	FS-1200-1-1/2	SCO 0150EG	C1101-1-1/2	2411
GC111162	AS 1200 O.D. EG 1-5/8	B2011 ZN	9EOD0162G	N/A	FS-1200-1-5/8	SCO 0162EG	C1101-1-5/8	2412
GC111175	AS 1200 O.D. EG 1-3/4	B2005 ZN	9EOD0175G	N/A	FS-1200-1-3/4	SCO 0175EG	C1101-1-3/4	2413
GC111187	AS 1200 O.D. EG 1-7/8	B2036 ZN	9EOD0187G	N/A	FS-1200-1-7/8	SCO 0187EG	C1101-1-7/8	2414
GC111200	AS 1200 O.D. EG 2	B2037 ZN	9EOD0200G	N/A	FS-1200-2	SCO 0200EG	C1101-2	2415
GC111212	AS 1200 O.D. EG 2-1/8	B2038 ZN	9EOD0212G	N/A	FS-1200-2-1/8	SCO 0212EG	C1101-2-1/8	2416
GC111225	AS 1200 O.D. EG 2-1/4	B2039 ZN	9EOD0225G	N/A	FS-1200-2-1/4	SCO 0225EG	C1101-2-1/4	2417
GC111237	AS 1200 O.D. EG 2-3/8	B2013 ZN	9EOD0237G	N/A	FS-1200-2-3/8	SCO 0237EG	C1101-2-3/8	N/A
GC111250	AS 1200 O.D. EG 2-1/2	B2041 ZN	9EOD0250G	N/A	FS-1200-2-1/2	SCO 0250EG	C1101-2-1/2	2418
GC111262	AS 1200 O.D. EG 2-5/8	B2042 ZN	9EOD0262G	N/A	FS-1200-2-5/8	SCO 0262EG	C1101-2-5/8	2419
GC111275	AS 1200 O.D. EG 2-3/4	B2043 ZN	9EOD0275G	N/A	FS-1200-2-3/4	SCO 0275EG	C1101-2-3/4	2420
GC111287	AS 1200 O.D. EG 2-7/8	B2014 ZN	9EOD0287G	N/A	FS-1200-2-7/8	SCO 0287EG	C1101-2-7/8	N/A
GC111300	AS 1200 O.D. EG 3	B2045 ZN	9EOD0300G	N/A	FS-1200-3	SCO 0300EG	C1101-3	2421
GC111312	AS 1200 O.D. EG 3-1/8	B2046 ZN	9EOD0312G	N/A	FS-1200-3-1/8	SCO 0312EG	C1101-3-1/8	2422
GC111325	AS 1200 O.D. EG 3-1/4	B2047 ZN	9EOD0325G	N/A	FS-1200-3-1/4	SCO 0325EG	C1101-3-1/4	2423
GC111337	AS 1200 O.D. EG 3-3/8	B2048 ZN	9EOD0337G	N/A	FS-1200-3-3/8	SCO 0337EG	C1101-3-3/8	2424
GC111350	AS 1200 O.D. EG 3-1/2	B2015 ZN	9EOD0350G	N/A	FS-1200-3-1/2	SCO 0350EG	C1101-3-1/2	N/A
GC111362	AS 1200 O.D. EG 3-5/8	B2050 ZN	9EOD0362G	N/A	FS-1200-3-5/8	SCO 0362EG	C1101-3-5/8	2425
GC111375	AS 1200 O.D. EG 3-3/4	B2051 ZN	9EOD0375G	N/A	FS-1200-3-3/4	SCO 0375EG	C1101-3-3/4	2426
GC111387	AS 1200 O.D. EG 3-7/8	B2052 ZN	9EOD0387G	N/A	FS-1200-3-7/8	SCO 0387EG	C1101-3-7/8	2427
GC111400	AS 1200 O.D. EG 4	B2016 ZN	9EOD0400G	N/A	FS-1200-4	SCO 0400EG	C1101-4	N/A
GC111412	AS 1200 O.D. EG 4-1/8	B2054 ZN	9EOD0412G	N/A	FS-1200-4-1/8	SCO 0412EG	C1101-4-1/8	2428
GC111425	AS 1200 O.D. EG 4-1/4	B2055 ZN	9EOD0425G	N/A	FS-1200-4-1/4	SCO 0425EG	C1101-4-1/4	2429
GC111437	AS 1200 O.D. EG 4-3/8	B2056 ZN	9EOD0437G	N/A	FS-1200-4-3/8	SCO 0437EG	C1101-4-3/8	2430
GC111450	AS 1200 O.D. EG 4-1/2	B2017 ZN	9EOD0450G	N/A	FS-1200-4-1/2	SCO 0450EG	C1101-4-1/2	N/A
GC111462	AS 1200 O.D. EG 4-5/8	B2058 ZN	9EOD0462G	N/A	FS-1200-4-5/8	SCO 0462EG	C1101-4-5/8	2431
GC111475	AS 1200 O.D. EG 4-3/4	B2059 ZN	9EOD0475G	N/A	FS-1200-4-3/4	SCO 0475EG	C1101-4-3/4	2432
GC111487	AS 1200 O.D. EG 4-7/8	B2060 ZN	9EOD0487G	N/A	FS-1200-4-7/8	SCO 0487EG	C1101-4-7/8	2433
GC111500	AS 1200 O.D. EG 5	B2018 ZN	9EOD0500G	N/A	FS-1200-5	SCO 0500EG	C1101-5	2434
GC111512	AS 1200 O.D. EG 5-1/8	B2062 ZN	9EOD0512G	N/A	FS-1200-5-1/8	SCO 0512EG	C1101-5-1/8	2435
GC111525	AS 1200 O.D. EG 5-1/4	B2063 ZN	9EOD0525G	N/A	FS-1200-5-1/4	SCO 0525EG	C1101-5-1/4	2436
GC111537	AS 1200 O.D. EG 5-3/8	B2064 ZN	9EOD0537G	N/A	FS-1200-5-3/8	SCO 0537EG	C1101-5-3/8	2437
GC111550	AS 1200 O.D. EG 5-1/2	B2019 ZN	9EOD0550G	N/A	FS-1200-5-1/2	SCO 0550EG	C1101-5-1/2	2438
GC111562	AS 1200 O.D. EG 5-5/8	B2066 ZN	9EOD0562G	N/A	FS-1200-5-5/8	SCO 0562EG	C1101-5-5/8	2439
GC111575	AS 1200 O.D. EG 5-3/4	B2067 ZN	9EOD0575G	N/A	FS-1200-5-3/4	SCO 0575EG	C1101-5-3/4	2440
GC111587	AS 1200 O.D. EG 5-7/8	B2068 ZN	9EOD0587G	N/A	FS-1200-5-7/8	SCO 0587EG	C1101-5-7/8	2441

G-STRUT® (GREGORY IND.)	POWER-STRUT (ATKORE)	PUPCO (POWER UTILITY PRODUCTS)	SASCO STRUT (SASCO TUBE & ROLLFORM)	SUPERSTRUT (ABB GROUP/T&B)	UNISTRUT (ATKORE)	VERSABAR (VERSABAR CORP.)	WESANCO (ZSI-FOSTER)
Conduit Clamps - Standard - Rigid							
GC112200ASMBL	PS 1100 2		S2R	702-2-STR-EG	P1117 AS	VP-1200	W-6138
GC112250	N/A		N/A	N/A	N/A	N/A	N/A
GC112250ASMBL	PS 1100 2-1/2		S212R	702-2-1/2 EG	P1118 AS	VP-1250	W-6142
GC112300	N/A		N/A	N/A	N/A	N/A	N/A
GC112300ASMBL	PS 1100 3		S3R	702-3 EG	P1119 AS	VP-1300	W-6146
GC112350	N/A		N/A	N/A	N/A	N/A	N/A
GC112350ASMBL	PS 1100 3-1/2		S312R	702-3-1/2 EG	P1120 AS	VP-1350	W-6150
GC112400	N/A		N/A	N/A	N/A	N/A	N/A
GC112400ASMBL	PS 1100 4		S4R	702-4 EG	P1121 AS	VP-1400	W-6154
GC112500	PS 1100 5		S5R	702-5 EG	P1123	VP-1500	W-6162
GC112600	PS 1100 6		S6R	702-6 EG	P1124	VP-1600	W-6170
GC112800	PS 1100 8		S8R	702-8 EG	P1126	VP-1800	W-6174
GC1121000	PS 1100 10		N/A	702-10 EG	N/A	N/A	W-6176
Conduit Clamps - Universal							
GC114037	N/A		N/A	N/A	N/A	N/A	W-6055
GC114050	PS 1300 1/2		N/A	N/A	P1211	N/A	N/A
GC114050ASMBL	N/A		N/A	703-1/2 EG	P1211 AS	VP-9050	W-6056
GC114075	PS 1300 3/4		N/A	N/A	N/A	N/A	N/A
GC114075ASMBL	N/A		N/A	703-3/4 EG	P1212 AS	VP-9075	W-6058
GC114100	PS 1300 1		N/A	N/A	N/A	N/A	N/A
GC114100ASMBL	N/A		N/A	703-1 EG	P1213 AS	VP-9100	W-6060
GC114125	PS 1300 1-1/4		N/A	N/A	N/A	N/A	N/A
GC114125ASMBL	N/A		N/A	703-1-1/4 EG	P1214 AS	VP-9125	W-6062
GC114150	PS 1300 1-1/2		N/A	N/A	N/A	N/A	N/A
GC114150ASMBL	N/A		N/A	703-1-1/2 EG	P1215 AS	VP-9150	W-6064
GC114200	PS 1300 2		N/A	N/A	N/A	N/A	N/A
GC114200ASMBL	N/A		N/A	703-2 EG	P1217 AS	VP-9200	W-6068
Conduit Clamps - O.D. Tubing							
GC111025	PS 1200-1/4		S140D	701-1/4 EG	P2024	VT-1025	W-6224
GC111037	PS 1200-3/8		S380D	701-3/8 EG	P2025	VT-1037	W-6225
GC111050	PS 1200-1/2		S120D	701-1/2-STR- EG	P2026	VT-1050	W-6226
GC111062	PS 1200-5/8		S580D	701-5/8 EG	P2027	VT-1062	W-6227
GC111075	PS 1200-3/4		S340D	701-3/4 EG	P2028	VT-1075	W-6228
GC111087	PS 1200-7/8		S780D	701-7/8 EG	P2029	VT-1087	W-6229
GC111100	PS 1200-1		S10D	701-1-STR- EG	P2030	VT-1100	W-6230
GC111112	PS 1200-1-1/8		S1180D	701-1-1/8 EG	P2031	VT-1112	W-6231
GC111125	PS 1200-1-1/4		S1140D	701-1-1/4 EG	P2032	VT-1125	W-6232
GC111137	PS 1200-1-3/8		S1380D	701-1-3/8 EG	P2033	VT-1137	W-6233
GC111150	PS 1200-1-1/2		S1120D	701-1-1/2 EG	P2034	VT-1150	W-6234
GC111162	PS 1200-1-5/8		S1580D	701-1-5/8 EG	P2035	VT-1162	W-6235
GC111175	PS 1200-1-3/4		N/A	701-1-3/4 EG	P1430	VT-1175	W-6034
GC111187	PS 1200-1-7/8		S1780D	701-1-7/8 EG	P2037	VT-1187	W-6237
GC111200	PS 1200-2		S20D	701-2 EG	P2038	VT-1200	W-6238
GC111212	PS 1200-2-1/8		S2180D	701-2-1/8 EG	P2039	VT-1212	W-6239
GC111225	PS 1200-2-1/4		S2140D	701-2-1/4 EG	P2040	VT-1225	W-6240
GC111237	PS 1200-2-1/8		N/A	701-2-3/8 EG	P1117	VT-1237	W-6138
GC111250	PS 1200-2-1/2		S2120D	701-2-1/2 EG	P2042	VT-1250	W-6242
GC111262	PS 1200-2-5/8		S2580D	701-2-5/8 EG	P2043	VT-1262	W-6243
GC111275	PS 1200-2-3/4		S2340D	701-2-3/4 EG	P2044	VT-1275	W-6244
GC111287	PS 1200-2-7/8		N/A	701-2-7/8 EG	P1118	VT-1287	W-6142
GC111300	PS 1200-3		S30D	701-3 EG	P2046	VT-1300	W-6246
GC111312	PS 1200 3-1/8		S3180D	701-3-1/8 EG	P2047	VT-1312	W-6247
GC111325	PS 1200 3-1/4		S3140D	701-3-1/4 EG	P2048	VT-1325	W-6248
GC111337	PS 1200 3-3/8		S3380D	701-3-3/8 EG	P2049	VT-1337	W-6249
GC111350	PS 1200 3-1/2		N/A	701-3-1/2 EG	P1119	VT-1350	W-6146
GC111362	PS 1200 3-5/8		S3580D	701-3-5/8 EG	P2051	VT-1362	W-6251
GC111375	PS 1200 3-3/4		S3340D	701-3-3/4 EG	P2052	VT-1375	W-6252
GC111387	PS 1200 3-7/8		S3780D	701-3-7/8 EG	P2053	VT-1387	W-6253
GC111400	PS 1200 4		N/A	701-4 EG EG	P1120	VT-1400	W-6150
GC111412	PS 1200 4-1/8		S4180D	701-4-1/8 EG	P2055	VT-1412	W-6255
GC111425	PS 1200 4-1/4		S4140D	701-4-1/4 EG	P2056	VT-1425	W-6256
GC111437	PS 1200 4-3/8		S4380D	701-4-3/8 EG	P2057	VT-1437	W-6257
GC111450	PS 1200 4-1/2		N/A	701-4-1/2 EG	P1121	VT-1450	W-6154
GC111462	PS 1200 4-5/8		S4580D	701-4-5/8 EG	P2059	VT-1462	W-6259
GC111475	PS 1200 4-3/4		S4340D	701-4-3/4 EG	P2060	VT-1475	W-6260
GC111487	PS 1200 4-7/8		S4780D	701-4-7/8 EG	P2061	VT-1487	W-6261
GC111500	PS 200-5		S50D	701-5 EG	P2062	VT-1500	W-6262
GC111512	PS 1200-5-1/8			701-5-1/8 EG	P2063	VT-1512	W-6263
GC111525	PS 1200-5-1/4			701-5-1/4 EG	P2064	VT-1525	W-6264
GC111537	PS 1200-5-3/8			701-5-3/8 EG	P2065	VT-1537	W-6265
GC111550	PS 1200-5-1/2			701-5-1/2 EG	P2066	VT-1550	W-6266
GC111562	PS-1200-5-5/8			701-5-5/8 EG	P2067	VT-1562	W-6267
GC111575	PS-1200-5-3/4			701-5-3/4 EG	P2068	VT-1575	W-6268
GC111587	PS-1200-5-7/8			701-5-5/8 EG	P2069	VT-1587	W-6269

G-STRUT® (GREGORY IND.)	ANVIL-STRUT (ANVIL INTERNATIONAL)	B-LINE (EATON)	ELITE STRUT (ELITE COMPONENTS)	ERICO/ERISTRUT (NVENT)	FLEX-STRUT (FLEX STRUT)	FLORIDA STRUT (ZSI-FOSTER)	H-STRUT (HAYDON CORP.)	PHD (PHD MFG.)
Conduit Clamps - O.D. Tubing								
GC111600	AS 1200 O.D. EG 6	B2069 ZN	9EOD0600G	N/A	FS-1200-6	SCO 0600EG	C1101-6	2442
GC111612	AS 1200 O.D. EG 6-1/8	B2110 ZN	9EOD0612G	N/A	FS-1200-6-1/8	SCO 0612EG	C1101-6-1/8	2443
GC111625	AS 1200 O.D. EG 6-1/4	B2111 ZN	9EOD0625G	N/A	FS-1200-6-1/4	SCO 0625EG	C1101-6-1/4	2444
GC111637	AS 1200 O.D. EG 6-3/8	B2112 ZN	9EOD0637G	N/A	FS-1200-6-3/8	SCO 0637EG	C1101-6-3/8	2445
GC111650	AS 1200 O.D. EG 6-1/2	B2113 ZN	9EOD0650G	N/A	FS-1200-6-1/2	SCO 0650EG	C1101-6-1/2	2446
GC111662	AS 1200 O.D. EG 6-5/8	B2020 ZN	9EOD0662G	N/A	N/A	SCO 0662EG	C1101-6-5/8	N/A
GC111675	AS 1200 O.D. EG 6-3/4	B2115 ZN	9EOD0675G	N/A	FS-1200-6-3/4	SCO 0675EG	C1101-6-3/4	2447
GC111687	AS 1200 O.D. EG 6-7/8	B2116 ZN	9EOD0687G	N/A	FS-1200-6-7/8	SCO 0687EG	C1101-6-7/8	2448
GC111700	AS 1200 O.D. EG 7	B2117 ZN	9EOD0700G	N/A	FS-1200-7	SCO 0700EG	C1101-7	2449
GC111712	AS 1200 O.D. EG 7-1/8	B2118 ZN	9EOD0712G	N/A	FS-1200-7-1/8	SCO 0712EG	C1101-7-1/8	2450
GC111725	AS 1200 O.D. EG 7-1/4	B2119 ZN	9EOD0725G	N/A	FS-1200-7-1/4	SCO 0725EG	C1101-7-1/4	2451
GC111737	AS 1200 O.D. EG 7-3/8	B2120 ZN	9EOD0737G	N/A	FS-1200-7-3/8	SCO 0737EG	C1101-7-3/8	2452
GC111750	AS 1200 O.D. EG 7-1/2	B2121 ZN	9EOD0750G	N/A	FS-1200-7-1/2	SCO 0750EG	N/A	2453
GC111762	AS 1200 O.D. EG 7-5/8	B2021 ZN	9EOD0762G	N/A	FS-1200-7-5/8	SCO 0762EG	C1101-7-5/8	2454
GC111775	AS 1200 O.D. EG 7-3/4	B2123 ZN	9EOD0775G	N/A	FS-1200-7-3/4	SCO 0775EG	N/A	2455
GC111787	AS 1200 O.D. EG 7-7/8	B2124 ZN	9EOD0787G	N/A	FS-1200-7-7/8	SCO 0787EG	C1101-7-7/8	2456
GC111800	AS 1200 O.D. EG 8	B2125 ZN	9EOD0800G	N/A	FS-1200-8	SCO 0800EG	C1101-8	2457
Cushion Clamps - Tube								
GC1025	AS 0040D	BVT025 ZN	9STCC025G	N/A	FS-1400-025	CCT 0025YC	C100025	2501
GC1037	AS 0060DN	BVT037 ZN	9STCC037G	N/A	FS-1400-037	CCT 0037YC	C100037	2502
GC1050	AS 0080DN	BVT050 ZN	9STCC050G	N/A	FS-1400-050	CCT 0050YC	C100050	2503
GC1062	AS 0100DN	BVT062 ZN	9STCC062G	N/A	FS-1400-062	CCT 0062YC	C100062	2504
GC1075	AS 0120DN	BVT075 ZN	9STCC075G	N/A	FS-1400-075	CCT 0075YC	C100075	2505
GC1087	AS 0140DN	BVT087 ZN	9STCC087G	N/A	FS-1400-087	CCT 0087YC	C100087	2506
GC1100	AS 0160D	BVT100 ZN	9STCC100G	N/A	FS-1400-100	CCT 0100YC	C100100	N/A
GC1112	AS 0180DN	BVT112 ZN	9STCC112G	N/A	FS-1400-112	CCT 0112YC	C100112	2507
GC1125	AS 0200D	BVT125 ZN	9STCC125G	N/A	FS-1400-125	CCT 0125YC	C100125	N/A
GC1137	AS 0220DN	BVT137 ZN	9STCC137G	N/A	FS-1400-137	CCT 0137YC	C100137	2508
GC1150	AS 0240D	BVT150 ZN	N/A	N/A	FS-1400-150	CCT 0150YC	C100150	N/A
GC1162	AS 0260DN	BVT162 ZN	9STCC162G	N/A	FS-1400-162	CCT 0162YC	C100162	2509
GC1175	AS 0280D	BVT175 ZN	N/A	N/A	FS-1400-175	CCT 0175YC	C100175	N/A
GC1187	N/A	BVT187 ZN	N/A	N/A	FS-1400-187	CCT 0187YC	C100187	N/A
GC1200	AS 0320D	BVT200 ZN	N/A	N/A	FS-1400-200	CCT 0200YC	C100200	N/A
GC1212	AS 0340D	BVT212 ZN	9STCC212G	N/A	FS-1400-212	CCT 0212YC	C100212	2510
GC1237	N/A	N/A	N/A	N/A	FS-1400-237	N/A	C100237	N/A
GC1262	AS 0420D	BVT262 ZN	9STCC262G	N/A	FS-1400-262	CCT 0262YC	C100262	2511
GC1300	AS 0480D	BVT300 ZN	N/A	N/A	FS-1400-300	N/A	C100300	N/A
GC1312	AS 0500D	BVT312 ZN	9STCC312G	N/A	FS-1400-312	CCT 0312YC	C100312	2512
GC1362	AS 0580D	BVT362 ZN	N/A	N/A	FS-1400-362	CCT 0362YC	C100362	N/A
GC1412	AS 0660D	BVT412 ZN	9STCC412G	N/A	FS-1400-412	CCT 0412YC	C100412	2514
Cushion Clamps - Pipe								
GC2025	AS 009P	BVP025 ZN	N/A	PCC0025EG	FS-1400P-025	N/A	C200025	N/A
GC2037	AS 011P	BVP037 ZN	N/A	PCC0037EG	FS-1400P-037	CCP 0370YC	C200037	N/A
GC2050	AS 014P	BVP050 ZN	N/A	PCC0050EG	FS-1400P-050	CCP 0050YC	C200050	N/A
GC2075	AS 017P	BVP075 ZN	N/A	PCC0075EG	FS-1400P-075	CCP 0075YC	C200075	N/A
GC2100	AS 021P	BVP100 ZN	N/A	PCC0100EG	FS-1400P-100	CCP 0100YC	C200100	N/A
GC2125	AS 027P	BVP125 ZN	N/A	PCC0125EG	FS-1400P-125	CCP 0125YC	C200125	N/A
GC2150	AS 0300DP	BVP150 ZN	N/A	PCC0150EG	FS-1400P-150	CCP 0150YC	C200150	N/A
GC2200	AS 0380DP	BVP200 ZN	N/A	PCC0200EG	FS-1400P-200	CCP 0200YC	C200200	N/A
GC2250	AS 0460DP	BVP250 ZN	N/A	PCC0250EG	FS-1400P-250	CCP 0250YC	C200250	N/A
GC2300	AS 0560DP	BVP300 ZN	N/A	PCC0300EG	FS-1400P-300	CCP 0300YC	C200300	N/A
GC2350	AS 0640DP	BVP350 ZN	N/A	PCC0350EG	FS-1400P-350	CCP 0350YC	C200350	N/A
GC2400	AS 0700DP	BVP400 ZN	N/A	PCC0400EG	FS-1400P-400	CCP 0400YC	C200400	N/A
GC2500	AS 089P	BVP500 ZN	N/A	PCC0500EG	FS-1400P-500	CCP 0500YC	C200500	N/A
GC2600	AS 106P	BVP600 ZN	N/A	PCC0600EG	FS-1400P-600	N/A	C200600	N/A
Conduit Clamps - Copper Plated O.D. Tubing								
GC111025CT	N/A	B2024DCU	9SCOPC025G	N/A	FS-1200-1/4-C/P	SCC 0025CP	N/A	2301
GC111037CT	N/A	B2025DCU	9SCOPC037G	N/A	FS-1200-3/8-C/P	SCC 0037CP	C-1101-CT 3/8"	2302
GC111050CT	AS 4050-PC	B2026DCU	9SCOPC050G	N/A	FS-1200-1/2-C/P	SCC 0050CP	C-1101-CT 1/2"	2303
GC111062CT	AS 4062-PC	B2027DCU	N/A	N/A	FS-1200-5/8-C/P	N/A	C-1101-CT 5/8"	N/A
GC111075CT	N/A	B2008DCU	PSCOPC075G	N/A	FS-1200-3/4-C/P	SCC 0075CP	C-1101-CT 3/4"	2304
GC111087CT	AS 4087-PC	N/A	N/A	N/A	FS-1200-7/8-C/P	N/A	N/A	N/A
GC111100CT	N/A	B2030DCU	9SCOPC100G	N/A	FS-1200-1-C/P	SCC 0100CP	C-1101-CT 1"	2305
GC111112CT	AS 4112-PC	N/A	N/A	N/A	FS-1200-1-1/8-C/P	N/A	N/A	N/A
GC111125CT	N/A	B2032DCU	9SCOPC125G	N/A	FS-1200-1-1/4-C/P	SCC 0125CP	C-1101-CT 1-1/4"	2306
GC111137CT	AS 4137-PC	N/A	N/A	N/A	FS-1200-1-3/8-C/P	N/A	N/A	N/A
GC111150CT	N/A	B2011DCU	9SCOPC150G	N/A	FS-1200-1-1/2-C/P	SCC 0150CP	C-1101-CT 1-1/2"	2307
GC111162CT	AS 4162-PC	N/A	N/A	N/A	FS-1200-1-5/8-C/P	N/A	N/A	N/A
GC111175CT	N/A	N/A	N/A	N/A	FS-1200-1-3/4-C/P	N/A	N/A	N/A
GC111187CT	N/A	N/A	N/A	N/A	FS-1200-1-7/8-C/P	N/A	N/A	N/A
GC111200CT	N/A	B2038DCU	9SCOPC200G	N/A	FS-1200-2-C/P	SCC 0200CP	C-1101-CT 2"	2308
GC111212CT	AS 4212-PC	N/A	N/A	N/A	FS-1200-2-1/8-C/P	N/A	N/A	N/A
GC111225CT	N/A	N/A	N/A	N/A	FS-1200-2-1/4-C/P	N/A	N/A	N/A
GC111237CT	N/A	N/A	N/A	N/A	FS-1200-2-3/8-C/P	N/A	N/A	N/A

CROSS REFERENCE



G-STRUT® (GREGORY IND.)	POWER-STRUT (ATKORE)	PUPCO (POWER UTILITY PRODUCTS)	SASCO STRUT (SASCO TUBE & ROLLFORM)	SUPERSTRUT (ABB GROUP/T&B)	UNISTRUT (ATKORE)	VERSABAR (VERSABAR CORP.)	WESANCO (ZSI-FOSTER)
Conduit Clamps - O.D. Tubing							
GC111600	PS-1200 6			701-6 EG	P2070	VT-1622	W-6270
GC111612	PS-1200 6-1/8			701-6-1/8 EG	P2070-61	VT-1612	N/A
GC111625	PS-1200 6-1/4			701-6-1/4 EG	P2070-62	VT-1625	N/A
GC111637	PS-1200 6-3/8			701-6-3/8 EG	P2070-63	VT-1637	N/A
GC111650	PS-1200 6-1/2			701-6-1/2 EG	P2070-64	VT-1650	N/A
GC111662	PS-1200 6-5/8			701-6-5/8 EG	P1124	VT-1662	N/A
GC111675	PS-1200 6-3/4			701-6-3/4 EG	P2070-66	VT-1675	N/A
GC111687	PS-1200 6-7/8			701-6-7/8 EG	P2070-67	VT-1687	N/A
GC111700	PS-1200 7			N/A	P2070-70	VT-1700	N/A
GC111712	PS-1200 7-1/8			N/A	P2070-71	VT-1712	N/A
GC111725	PS-1200 7-1/4			N/A	P2070-72	VT-1725	N/A
GC111737	PS-1200 7-3/8			N/A	P2070-73	VT-1737	N/A
GC111750	PS-1200 7-1/2			N/A	P2070-74	VT-1750	N/A
GC111762	PS-1200 7-5/8			N/A	P2070-75	VT-1762	N/A
GC111775	PS-1200 7-3/4			N/A	P2070-76	VT-1775	N/A
GC111787	PS-1200 7-7/8			N/A	P2070-77	VT-1787	N/A
GC111800	PS-1200 8			701-8 EG	P2070-80	VT-1800	W-6274
Cushion Clamps - Tube							
GC1025	PS 004T		N/A	A-716-1/4 EG	004T008	N/A	100025
GC1037	PS 006T		N/A	A-716-3/8 EG	006T010	N/A	100037
GC1050	PS 008T		N/A	A-716-1/2 EG	008T012	N/A	100050
GC1062	PS 010T		N/A	A-716-5/8 EG	010T014	N/A	100062
GC1075	PS 012T		N/A	A-716-3/4 EG	012T016	N/A	100075
GC1087	PS 014T		N/A	A-716-7/8 EG	014T018	N/A	100087
GC1100	PS 016T		N/A	A-716-1 EG	016T020	N/A	100100
GC1112	PS 018T		N/A	A-716-1-1/8 EG	018T022	N/A	100112
GC1125	PS 020T		N/A	A-716-1-1/4 EG	020T024	N/A	100125
GC1137	PS 022T		N/A	A-716-1-3/8 EG	022T026	N/A	100137
GC1150	PS 024N		N/A	A-716-1-1/2 EG	024N028	N/A	100150
GC1162	PS 026N		N/A	A-716-1-5/8 EG	026N030	N/A	100162
GC1175	PS 028N		N/A	A-716-1-3/4 EG	028N032	N/A	100175
GC1187	PS 030N		N/A	A-716-1-7/8 EG	030N034	N/A	100187
GC1200	PS 032N		N/A	A-716-2 EG	032N036	N/A	100200
GC1212	PS 034N		N/A	A-716-2-1/8 EG	034N040	N/A	100212
GC1237	PS 038N		N/A	A-716-2-3/8 EG	038N044	N/A	100237
GC1262	PS 042N		N/A	A-716-2-5/8 EG	042N048	N/A	100262
GC1300	PS 048N		N/A	A-716-3 EG	050N054	N/A	100300
GC1312	PS 050N		N/A	A-716-3-1/8 EG	050N056	N/A	100312
GC1362	PS 058N		N/A	A-716-3-5/8 EG	058N064	N/A	100362
GC1412	PS 066N		N/A	A-716-4-1/8 EG	066N074	N/A	100412
Cushion Clamps - Pipe							
GC2025	PS 009N		N/A	P-716-1/4 EG	009N012	N/A	200025
GC2037	PS 011N		N/A	P-716-3/8 EG	011N014	N/A	200037
GC2050	PS 014N		N/A	P716-1/2 EG	014N018	N/A	200050
GC2075	PS 017N		N/A	P-716-3/4 EG	017N022	N/A	200075
GC2100	PS 021N		N/A	P-716-1 EG	021N026	N/A	200100
GC2125	PS 027N		N/A	P-716-1-1/4 EG	027N032	N/A	200125
GC2150	PS 030N		N/A	P-716-1-1/2 EG	030N034	N/A	200150
GC2200	PS 038N		N/A	P-716-2EG	038N044	N/A	200200
GC2250	PS 046N		N/A	P-716-2-1/2 EG	046N052	N/A	200250
GC2300	PS 056N		N/A	P-716-3 EG	056N062	N/A	200300
GC2350	PS 064N		N/A	P-716-3-1/2 EG	064N072	N/A	200350
GC2400	PS 072N		N/A	P-716-4 EG	072N080	N/A	200400
GC2500	PS 089N		N/A	N/A	089N096	N/A	200500
GC2600	PS 106N		N/A	N/A	106N114	N/A	200600
Conduit Clamps - Copper Plated O.D. Tubing							
GC111025CT	PS 1200 CC 1/4		N/A	N/A	P2024CC	VT-1025-CP	W-6224C/P
GC111037CT	PS 1200 CC 3/8		N/A	N/A	P2025CC	VT-1037-CP	W-6225C/P
GC111050CT	PS 1200 CC 1/2		N/A	N/A	P2026CC	VT-1050-CP	W-6226C/P
GC111062CT	PS 1200 CC 5/8		N/A	N/A	P2027CC	VT-1062-CP	W-6227C/P
GC111075CT	PS 1200 CC 3/4		N/A	N/A	P2028CC	VT-1075-CP	W-6228C/P
GC111087CT	PS 1200 CC 7/8		N/A	N/A	P2029CC	VT-1087-CP	W-6229C/P
GC111100CT	PS 1200 CC 1		N/A	N/A	P2030CC	VT-1100-CP	W-6230C/P
GC111112CT	PS 1200 CC 1-1/8		N/A	N/A	P2031CC	VT-1112-CP	W-6231C/P
GC111125CT	PS 1200 CC 1-1/4		N/A	N/A	P2032CC	VT-1125-CP	W-6232C/P
GC111137CT	PS 1200 CC 1-3/8		N/A	N/A	P2033CC	VT-1137-CP	W-6233C/P
GC111150CT	PS 1200 CC 1-1/2		N/A	N/A	P2034CC	VT-1150-CP	W-6234C/P
GC111162CT	PS 1200 CC 1-5/8		N/A	N/A	P2035CC	VT-1162-CP	W-6235C/P
GC111175CT	PS 1200 CC 1-3/4		N/A	N/A	P1430CC	VT-1175-CP	W-6034C/P
GC111187CT	PS 1200 CC 1-7/8		N/A	N/A	P2037CC	VT-1187-CP	W-6237C/P
GC111200CT	PS 1200 CC 2		N/A	N/A	P2038CC	VT-1200-CP	W-6238C/P
GC111212CT	PS 1200 CC 2-1/8		N/A	N/A	P2039CC	VT-1212-CP	W-6239C/P
GC111225CT	PS 1200 CC 2-1/4		N/A	N/A	P2040CC	VT-1225-CP	W-6240C/P
GC111237CT	PS 1200 CC 2-3/8		N/A	N/A	P1177CC	VT-1237-CP	W-6138C/P

CROSS REFERENCE

G-STRUT® (GREGORY IND.)	ANVIL-STRUT (ANVIL INTERNATIONAL)	B-LINE (EATON)	ELITE STRUT (ELITE COMPONENTS)	ERICO/ERISTRUT (INVENT)	FLEX-STRUT (FLEX STRUT)	FLORIDA STRUT (ZSI-FOSTER)	H-STRUT (HAYDON CORP.)	PHD (PHD MFG.)
Conduit Clamps - Copper Plated O.D. Tubing								
GC111250CT	N/A	B2042DCU	9SCOPC250G	N/A	FS-1200-2-1/2-C/P	SCC 0250CP	C-1101-CT 2-1/5"	2309
GC111262CT	AS 8262-PC	N/A	N/A	N/A	FS-1200-2-5/8-C/P	N/A	N/A	N/A
GC111275CT	N/A	N/A	N/A	N/A	FS-1200-2-3/4-C/P	N/A	N/A	N/A
GC111287CT	N/A	N/A	N/A	N/A	FS-1200-2-7/8-C/P	N/A	N/A	N/A
GC111300CT	N/A	B2046DCU	9SCOPC300G	N/A	FS-1200-3-C/P	SCC 0300CP	C-1101-CT 3"	2310
GC111312CT	N/A	N/A	N/A	N/A	FS-1200-3-1/8-C/P	N/A	N/A	N/A
GC111325CT	N/A	N/A	N/A	N/A	FS-1200-3-1/4-C/P	N/A	N/A	N/A
GC111337CT	N/A	N/A	N/A	N/A	FS-1200-3-3/8-C/P	N/A	N/A	N/A
GC111350CT	N/A	B2050DCU	N/A	N/A	FS-1200-3-1/2-C/P	SCC 0350CP	C-1101-CT 3-1/2"	2311
GC111362CT	N/A	N/A	N/A	N/A	FS-1200-3-5/8-C/P	N/A	N/A	N/A
GC111375CT	N/A	N/A	N/A	N/A	FS-1200-3-3/4-C/P	N/A	N/A	N/A
GC111387CT	N/A	N/A	N/A	N/A	FS-1200-3-7/8-C/P	N/A	N/A	N/A
GC111400CT	N/A	B2054DCU	9SCOPC400G	N/A	FS-1200-4-C/P	SCC 0400CP	C-1101-CT 4"	2312
GC111412CT	N/A	N/A	N/A	N/A	FS-1200-4-1/8-C/P	N/A	N/A	N/A
GC111425CT	N/A	N/A	N/A	N/A	FS-1200-4-1/4-C/P	N/A	N/A	N/A
GC111437CT	N/A	N/A	N/A	N/A	FS-1200-4-3/8-C/P	N/A	N/A	N/A
GC111450CT	N/A	N/A	N/A	N/A	FS-1200-4-1/2-C/P	N/A	N/A	N/A
GC111462CT	N/A	N/A	N/A	N/A	FS-1200-4-5/8-C/P	N/A	N/A	N/A
GC111475CT	N/A	N/A	N/A	N/A	FS-1200-4-3/4-C/P	N/A	N/A	N/A
GC111487CT	N/A	N/A	N/A	N/A	FS-1200-4-7/8-C/P	N/A	N/A	N/A
GC111500CT	N/A	B2062DCU	N/A	N/A	FS-1200-5-C/P	SCC 0500CP	C-1101-CT 5"	2313
GC111512CT	N/A	N/A	N/A	N/A	FS-1200-5-1/8-C/P	N/A	N/A	N/A
GC111525CT	N/A	N/A	N/A	N/A	FS-1200-5-1/4-C/P	N/A	N/A	N/A
GC111537CT	N/A	N/A	N/A	N/A	FS-1200-5-3/8-C/P	N/A	N/A	N/A
GC111550CT	N/A	N/A	N/A	N/A	FS-1200-5-1/2-C/P	N/A	N/A	N/A
GC111562CT	N/A	N/A	N/A	N/A	FS-1200-5-5/8-C/P	N/A	N/A	N/A
GC111575CT	N/A	N/A	N/A	N/A	FS-1200-5-3/4-C/P	N/A	N/A	N/A
GC111587CT	N/A	N/A	N/A	N/A	FS-1200-5-7/8-C/P	N/A	N/A	N/A
GC111600CT	N/A	B2110DCU	N/A	N/A	FS-1200-6-C/P	SCC 0600CP	C-1101-CT 6"	2314
GC111612CT	N/A	N/A	N/A	N/A	FS-1200-6-1/8-C/P	N/A	N/A	N/A
GC111625CT	N/A	N/A	N/A	N/A	FS-1200-6-1/4-C/P	N/A	N/A	N/A
GC111637CT	N/A	N/A	N/A	N/A	FS-1200-6-3/8-C/P	N/A	N/A	N/A
GC111650CT	N/A	N/A	N/A	N/A	FS-1200-6-1/2-C/P	N/A	N/A	N/A
GC111662CT	N/A	N/A	N/A	N/A	N/A	N/A	N/A	N/A
GC111675CT	N/A	N/A	N/A	N/A	FS-1200-6-3/4-C/P	N/A	N/A	N/A
GC111687CT	N/A	N/A	N/A	N/A	FS-1200-6-7/8-C/P	N/A	N/A	N/A
GC111700CT	N/A	N/A	N/A	N/A	FS-1200-7-C/P	N/A	C-1101-CT 7"	N/A
GC111712CT	N/A	N/A	N/A	N/A	FS-1200-7-1/8-C/P	N/A	N/A	N/A
GC111725CT	N/A	N/A	N/A	N/A	FS-1200-7-1/4-C/P	N/A	N/A	N/A
GC111737CT	N/A	N/A	N/A	N/A	FS-1200-7-3/8-C/P	N/A	N/A	N/A
GC111750CT	N/A	N/A	N/A	N/A	FS-1200-7-1/2-C/P	N/A	N/A	N/A
GC111762CT	N/A	N/A	N/A	N/A	FS-1200-7-5/8-C/P	N/A	N/A	N/A
GC111775CT	N/A	N/A	N/A	N/A	FS-1200-7-3/4-C/P	N/A	N/A	N/A
GC111787CT	N/A	N/A	N/A	N/A	FS-1200-7-7/8-C/P	N/A	N/A	N/A
GC111800CT	N/A	B2126DCU	N/A	N/A	FS-1200-8-C/P	SCC 0800CP	C-1101-CT 8"	N/A
2-Hole Pipe Straps								
G1108050	AS 3126 EG 1/2	B2400-1/2 ZN	N/A	STR20050EG	FS-7870-1/2	PS2 0050EG	C-1108 1/2"	7251 1/2
G1108075	AS 3126 EG 3/4	B2400-3/4 ZN	N/A	STR20075EG	FS-7870-3/4	PS2 0075EG	C-1108 3/4"	7252 3/4
G1108100	AS 3126 EG 1	B2400-1 ZN	N/A	STR20100EG	FS-7870-1	PS2 0100EG	C-1108 1"	7253 1
G1108125	AS 3126 EG 1-1/4	B2400-1-1/4 ZN	N/A	STR20125EG	FS-7870-1-1/4	PS2 0125EG	C-1108 1-1/4"	7254 1-1/4
G1108150	AS 3126 EG 1-1/2	B2400-1-1/2 ZN	N/A	STR20150EG	FS-7870-1-1/2	PS2 0150EG	C-1108 1-1/2"	7255 1-1/2
G1108200	AS 3126 EG 2	B2400-2 ZN	N/A	STR20200EG	FS-7870-2	PS2 0200EG	C-1108 2"	7256 2
G1108250	AS 3126 EG 2-1/2	B2400-2-1/2 ZN	N/A	STR20250EG	FS-7870-2-1/2	PS2 0250EG	C-1108 2-1/2"	7257 2-1/2
G1108300	AS 3126 EG 3	B2400-3 ZN	N/A	STR20300EG	FS-7870-3	PS2 0300EG	C-1108 3"	7258 3
G1108350	AS 3126 EG 3-1/2	B2400-3-1/2 ZN	N/A	STR20350EG	FS-7870-3-1/2	PS2 0350EG	C-1108 3-1/2"	7259 3-1/2
G1108400	AS 3126 EG 4	B2400-4 ZN	N/A	STR20400EG	FS-7870-4	PS2 0400EG	C-1108 4"	7260 4
G1108500	AS 3126 EG 5	B2400-5 ZN	N/A	STR20500EG	FS-7870-5	PS2 0500EG	C-1108 5"	7261 5
G1108600	AS 3126 EG 6	B2400-6 ZN	N/A	STR20600EG	FS-7870-6	PS2 0600EG	C-1108 6"	7262 6
G1108800	N/A	B2400-8 ZN	N/A	N/A	N/A	N/A	N/A	7263 8
1-Hole Tubing Clamp								
G1109025	AS 1450 EG 1/4	N/A	N/A	STR0025EG	FS-7730-1/4	TC1 0025EG	C-1109 1/4"	7231 1/4
G1109031	N/A	N/A	N/A	N/A	FS-7730-5/16	TC1 0031EG	C-1109 5-16"	7232 5/16
G1109037	AS 1450 EG 3/8	N/A	N/A	STR0037EG	FS-7730-3/8	TC1 0037EG	C-1109 3/8"	7233 3/8
G1109050	AS 1450 EG 1/2	N/A	N/A	STR0050EG	FS-7730-1/2	TC1 0050EG	C-1109 1/2"	7234 1/2
G1109062	AS 1450 EG 5/8	N/A	N/A	STR0062EG	FS-7730-5/8	TC1 0062EG	C-1109 5/8"	7235 5/8
G1109075	AS 1450 EG 3/4	N/A	N/A	STR0075EG	FS-7730-3/4	TC1 0075EG	C-1109 3/4"	7236 3/4
G1109087	AS 1450 EG 7/8	N/A	N/A	STR0087EG	FS-7730-7/8	TC1 0087EG	C-1109 7/8"	7237 7/8
G1109100	AS 1450 EG 1	N/A	N/A	STR0100EG	FS-7730-1	TC1 0100EG	C-1109 1"	7238 1
Continuous Concrete Insert								
G-382IN1	AS 349 W/O 10	B32-I-240 PG	N/A	N/A	FS-7355	FS12138CI-20	H-142-IN-10	4001
G-382IN2	AS 349 W/O 20	N/A	N/A	N/A	FS-7358	N/A	H-142-IN-20	4002
G-382IN12	N/A	N/A	N/A	N/A	FS-7353	N/A	H-142-IN-12	N/A

CROSS REFERENCE



G-STRUT® (GREGORY IND.)	POWER-STRUT (ATKORE)	PUPCO (POWER UTILITY PRODUCTS)	SASCO STRUT (SASCO TUBE & ROLLFORM)	SUPERSTRUT (ABB GROUP/T&B)	UNISTRUT (ATKORE)	VERSABAR (VERSABAR CORP.)	WESANCO (ZSI-FOSTER)
Conduit Clamps - Copper Plated O.D. Tubing							
GC111250CT	PS 1200 CC 2-1/2		N/A	N/A	P2042CC	VT-1250-CP	W-6242C/P
GC111262CT	PS 1200 CC 2-5/8		N/A	N/A	P2043CC	VT-1262-CP	W-6243C/P
GC111275CT	PS 1200 CC 2-3/4		N/A	N/A	P2044CC	VT-1275-CP	W-6244C/P
GC111287CT	PS 1200 CC 2-7/8		N/A	N/A	P1118CC	VT-1287-CP	W-6142C/P
GC111300CT	PS 1200 CC 3		N/A	N/A	P2046CC	VT-1300-CP	W-6246C/P
GC111312CT	PS 1200 CC 3-1/8		N/A	N/A	P2047CC	VT-1312-CP	W-6247C/P
GC111325CT	PS 1200 CC 3-1/4		N/A	N/A	P2048CC	VT-1325-CP	W-6248C/P
GC111337CT	PS 1200 CC 3-3/8		N/A	N/A	P2049CC	VT-1337-CP	W-6249C/P
GC111350CT	PS 1200 CC 3-1/2		N/A	N/A	P1119CC	VT-1350-CP	W-6146C/P
GC111362CT	PS 1200 CC 3-5/8		N/A	N/A	P2051CC	VT-1362-CP	W-6251C/P
GC111375CT	PS 1200 CC 3-3/4		N/A	N/A	P2052CC	VT-1375-CP	W-6252C/P
GC111387CT	PS 1200 CC 3-7/8		N/A	N/A	P2053CC	VT-1387-CP	W-6253C/P
GC111400CT	PS 1200 CC 4		N/A	N/A	P1120CC	VT-1400-CP	W-6150C/P
GC111412CT	PS 1200 CC 4-1/8		N/A	N/A	P2055CC	VT-1412-CP	W-6255C/P
GC111425CT	PS 1200 CC 4-1/4		N/A	N/A	P2056CC	VT-1425-CP	W-6256C/P
GC111437CT	PS 1200 CC 4-3/8		N/A	N/A	P2057CC	VT-1437-CP	W-6257C/P
GC111450CT	PS 1200 CC 4-1/2		N/A	N/A	P1121CC	VT-1450-CP	W-6154C/P
GC111462CT	PS 1200 CC 4-5/8		N/A	N/A	P2059CC	VT-1462-CP	W-6259C/P
GC111475CT	PS 1200 CC 4-3/4		N/A	N/A	P2060CC	VT-1475-CP	W-6260C/P
GC111487CT	PS 1200 CC 4-7/8		N/A	N/A	P2061CC	VT-1487-CP	W-6261C/P
GC111500CT	PS 1200 CC 5		N/A	N/A	P2062CC	VT-1500-CP	W-6262C/P
GC111512CT	PS 1200 CC 5-1/8		N/A	N/A	P2063CC	VT-1512-CP	W-6263C/P
GC111525CT	PS 1200 CC 5-1/4		N/A	N/A	P2064CC	VT-1525-CP	W-6264C/P
GC111537CT	PS 1200 CC 5-3/8		N/A	N/A	P2065CC	VT-1537-CP	W-6265C/P
GC111550CT	PS 1200 CC 5-1/2		N/A	N/A	P2066CC	VT-1550-CP	W-6266C/P
GC111562CT	PS 1200 CC 5-5/8		N/A	N/A	P2067CC	VT-1562-CP	W-6267C/P
GC111575CT	PS 1200 CC 5-3/4		N/A	N/A	P2068CC	VT-1575-CP	W-6268C/P
GC111587CT	PS 1200 CC 5-7/8		N/A	N/A	P2069CC	VT-1587-CP	W-6269C/P
GC111600CT	PS 1200 CC 6		N/A	N/A	P2070CC	VT-1622-CP	W-6270C/P
GC111612CT	PS 1200 CC 6-1/8		N/A	N/A	P2070-61CC	VT-1612-CP	N/A
GC111625CT	PS 1200 CC 6-1/4		N/A	N/A	P2070-62CC	VT-1625-CP	N/A
GC111637CT	PS 1200 CC 6-3/8		N/A	N/A	P2070-63CC	VT-1637-CP	N/A
GC111650CT	PS 1200 CC 6-1/2		N/A	N/A	P2070-64CC	VT-1650-CP	N/A
GC111662CT	PS 1200 CC 6-5/8		N/A	N/A	P1124CC	VT-1662-CP	N/A
GC111675CT	PS 1200 CC 6-3/4		N/A	N/A	P2070-66CC	VT-1675-CP	N/A
GC111687CT	PS 1200 CC 6-7/8		N/A	N/A	P2070-67CC	VT-1687-CP	N/A
GC111700CT	PS 1200 CC 7		N/A	N/A	P2070-70CC	VT-1700-CP	N/A
GC111712CT	PS 1200 CC 7-1/8		N/A	N/A	P2070-71CC	VT-1712-CP	N/A
GC111725CT	PS 1200 CC 7-1/4		N/A	N/A	P2070-72CC	VT-1725-CP	N/A
GC111737CT	PS 1200 CC 7-3/8		N/A	N/A	P2070-73CC	VT-1737-CP	N/A
GC111750CT	PS 1200 CC 7-1/2		N/A	N/A	P2070-74CC	VT-1750-CP	N/A
GC111762CT	PS 1200 CC 7-5/8		N/A	N/A	P2070-75CC	VT-1762-CP	N/A
GC111775CT	PS 1200 CC 7-3/4		N/A	N/A	P2070-76CC	VT-1775-CP	N/A
GC111787CT	PS 1200 CC 7-7/8		N/A	N/A	P2070-77CC	VT-1787-CP	N/A
GC111800CT	PS 1200 CC 8		N/A	N/A	P2070-80CC	VT-1800-CP	W-6274C/P
2-Hole Pipe Straps							
G1108050	PS 3126 1/2		N/A	C-708-U-1/2	P2558-05	VP-4050	W-7826
G1108075	PS 3126 3/4		N/A	C-708-U-3/4	P2558-07	VP-4075	W-7828
G1108100	PS 3126 1		N/A	C-708-U-1	P2558-10	VP-4100	W-7830
G1108125	PS 3126 1-1/4		N/A	C-708-U-1-1/4	P2558-12	VP-4125	W-7832
G1108150	PS 3126 1-1/2		N/A	C-708-U-1-1/2	P2558-15	VP-4150	W-7834
G1108200	PS 3126 2		N/A	C-708-U-2	P2558-20	VP-4200	W-7838
G1108250	PS 3126 2-1/2		N/A	C-708-U-2-1/2	P2558-25	VP-4250	W-7842
G1108300	PS 3126 3		N/A	C-708-U-3	P2558-30	VP-4300	W-7846
G1108350	PS 3126 3-1/2		N/A	C-708-U-3-1/2	P2558-35	VP-4350	W-7850
G1108400	PS 3126 4		N/A	C-708-U-4	P2558-40	VP-4400	W-7854
G1108500	PS 3126 5		N/A	C-708-U-5	P2558-50	N/A	W-7862
G1108600	PS 3126 6		N/A	C-708-U-6	P2558-60	VP-4600	W-7870
G1108800	N/A		N/A	N/A	N/A	N/A	N/A
1-Hole Tubing Clamp							
G1109025	PS 1450 1/4		N/A	N/A	P2008	VT-2025	W-7724
G1109031	PS 1450 5/16		N/A	N/A	P2009	VT-2031	W-7724A
G1109037	PS 1450 3/8		N/A	N/A	P2010	VT-2037	W-7725
G1109050	PS 1450 1/2		N/A	N/A	P2012	VT-2050	W-7726
G1109062	PS 1450 5/8		N/A	N/A	P2014	N/A	W-7727
G1109075	PS 1450 3/4		N/A	N/A	P2016	N/A	W-7728
G1109087	PS 1450 7/8		N/A	N/A	P2018	N/A	W-7729
G1109100	PS 1450 1		N/A	N/A	P2020	N/A	W-7730
Continuous Concrete Insert							
G382IN1	PS 349 10' CS/EC	N/A	N/A	C-302-10	P3265	VC-6120	W-7355 EG 20
G382IN2	PS 349 20' CS/EC	N/A	N/A	C-302-20	P3270	VC-6240	W-7355 EG 40
G382IN12	PS 349 12' CS/EC	N/A	N/A	N/A	P3266	VC-6144	W-7353 EG 12

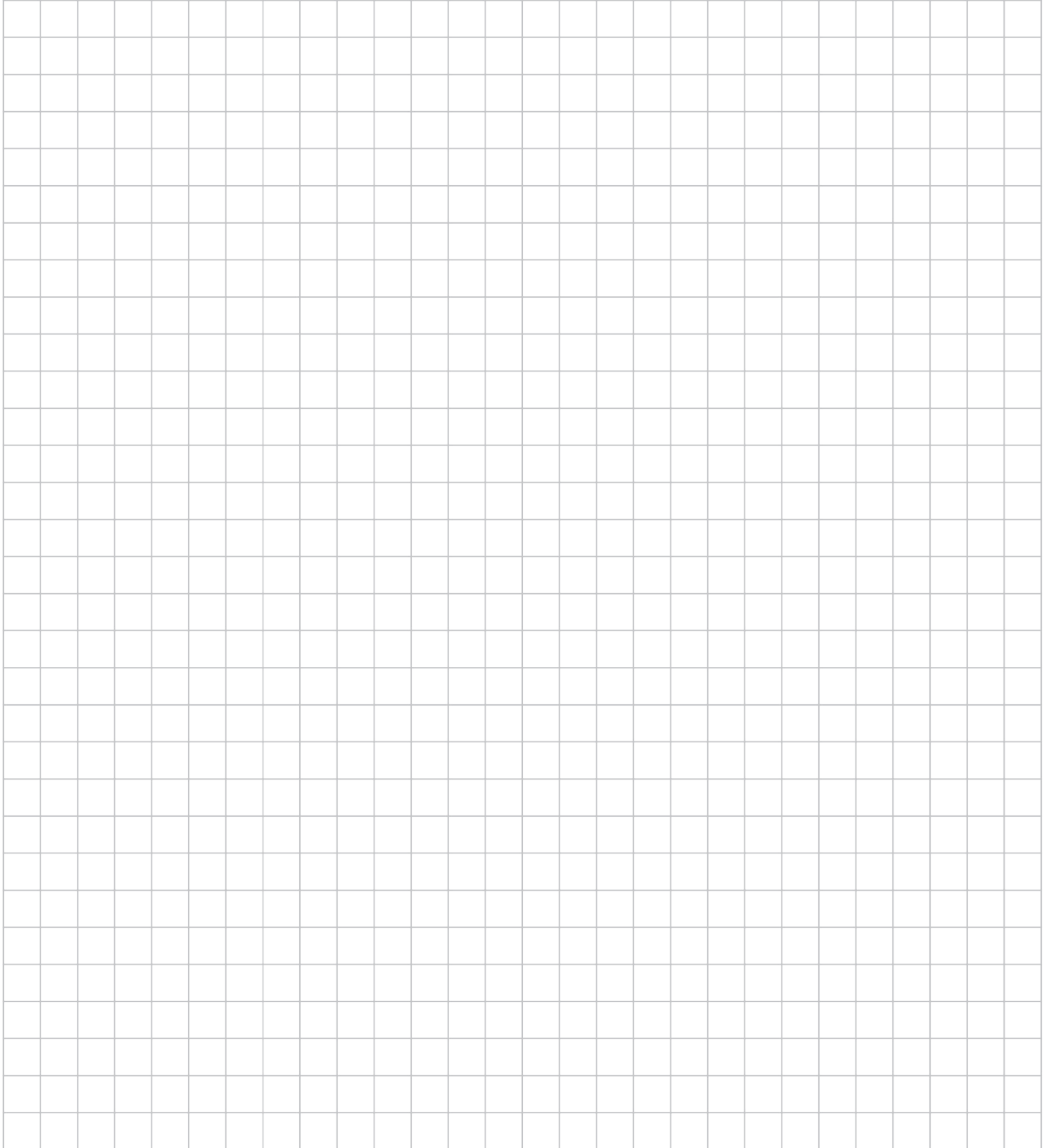
CROSS REFERENCE

G-STRUT® (GREGORY IND.)	ANVIL-STRUT (ANVIL INTERNATIONAL)	B-LINE (EATON)	ELITE STRUT (ELITE COMPONENTS)	ERICO/ERISTRUT (NVENT)	FLEX-STRUT (FLEX STRUT)	FLORIDA STRUT (ZSI-FOSTER)	H-STRUT (HAYDON CORP.)	PHD (PHD MFG.)
Continuous Concrete Insert								
G132IN1	N/A	B52-1-240 PG	N/A	N/A	N/A	N/A	H-164-IN-10	4101
G132IN2	N/A	N/A	N/A	N/A	N/A	N/A	H-164-IN-20	4102
G132IN12	N/A	N/A	N/A	N/A	N/A	N/A	H-164-IN-12	N/A
Continuous Concrete Insert								
G102IN1	AS 449 W/O 10	N/A	N/A	N/A	N/A	N/A	H-152-IN-10	4201
G102IN2	AS 449 W/O 20	N/A	N/A	N/A	N/A	N/A	H-152-IN-20	4202
Continuous Concrete Insert								
G582IN1	N/A	B22-1-240 PG	N/A	N/A	N/A	N/A	N/A	4301
G582IN2	N/A	N/A	N/A	N/A	N/A	N/A	N/A	4302
Type A End Caps								
GECPG	N/A	B205 ZN	N/A	ENDCA120EG	FS-5920	EC100000EG	1000-EC-1	4405
GECPG1	N/A	B221 ZN	N/A	N/A	FS-5915	N/A	N/A	N/A
GECPG2	AS 930	B220 ZN	N/A	ENDCC140EG	FS-5935	EC120000EG	N/A	4406
Type B End Caps								
GECPG3	N/A	B3322 ZN	N/A	N/A	N/A	CI200000EG	N/A	4470
GECPG4	N/A	B3332 ZN	N/A	N/A	N/A	CI210000EG	N/A	4440
GECPG5	N/A	B3342 ZN	N/A	N/A	N/A	N/A	N/A	4450
GECPG6	N/A	B3352 ZN	N/A	N/A	N/A	N/A	N/A	4460
GECPG7	N/A	N/A	N/A	N/A	N/A	N/A	N/A	N/A
GECPG8	N/A	N/A	N/A	N/A	N/A	N/A	N/A	N/A
Strut Safety End Cap								
GEC13	AS 6153 5 WHITE	B852 W	N/A	N/A	N/A	EC080000VC	END CAP-5	N/A
GEC14	AS 6153 3 WHITE	N/A	N/A	N/A	N/A	N/A	END CAP-3	N/A
GEC15	AS 6153 2 WHITE	B822 W	N/A	N/A	FS-5960-2W	EC090000VC	END CAP-2	N/A
GEC16	AS 6153 1 WHITE	B822A W	N/A	N/A	FS-5960-1W	N/A	END CAP-1	N/A
Slotted Angle								
G15410GL	N/A	N/A	N/A	N/A	FA-110 PG	N/A	N/A	N/A
G15412GL	N/A	N/A	N/A	N/A	FA-112 PG	SA0300PG	N/A	N/A
G25410GL	N/A	N/A	N/A	N/A	FA-210 PG	SA0225PG	N/A	N/A
G25412GL	N/A	N/A	N/A	N/A	FA-212 PG	N/A	N/A	N/A
G35210GL	N/A	N/A	N/A	N/A	FA-310 PG	N/A	N/A	N/A
G35212GL	N/A	N/A	N/A	N/A	FA-312 PG	N/A	N/A	N/A

G-STRUT® (GREGORY IND.)	POWER-STRUT (ATKORE)	PUPCO (POWER UTILITY PRODUCTS)	SASCO STRUT (SASCO TUBE & ROLLFORM)	SUPERSTRUT (ABB GROUP/T&B)	UNISTRUT (ATKORE)	VERSABAR (VERSABAR CORP.)	WESANCO (ZSI-FOSTER)
Continuous Concrete Insert							
G132IN1	N/A	N/A	N/A	B-302-10	P3365	VC-4120	N/A
G132IN2	N/A	N/A	N/A	B-302-20	P3370	VC-4240	N/A
G132IN12	N/A	N/A	N/A	N/A	P3366	VC-4144	N/A
Continuous Concrete Insert							
G102IN1	PS 449 10' CS/EC	N/A	S5C1 10 EG	N/A	N/A	VC-10120	W-7555 EG 20
G102IN2	PS 449 20' CS/EC	N/A	N/A	N/A	N/A	VC-10240	W-7558 EG 40
Continuous Concrete Insert							
G582IN1	N/A	N/A	S2C1 10 EG	N/A	N/A	VC-1120	W-7255 EG 20
G582IN2	N/A	N/A	N/A	N/A	N/A	VC-1240	W-7258 EG 40
Type A End Caps							
GECPG	PS 655	N/A	S730E-EG	A804	P2407	VF-1001-2	W-5930
GECPG1	PS 2580	N/A	S733E-EG	N/A	N/A	N/A	W-5910
GECPG2	PS 930	N/A	S734E-EG	B804	N/A	VF-1001-4	W-5935
Type B End Caps							
GECPG3	N/A	N/A	N/A	N/A	N/A	N/A	W-5952
GECPG4	N/A	N/A	N/A	N/A	N/A	N/A	W-5953
GECPG5	N/A	N/A	N/A	N/A	N/A	N/A	W-5958
GECPG6	N/A	N/A	N/A	N/A	N/A	N/A	N/A
GECPG7	N/A	N/A	N/A	N/A	P4703	N/A	N/A
GECPG8	N/A	N/A	N/A	N/A	**P1704 (3-17/32)	N/A	N/A
Strut Safety End Cap							
GEC13	N/A	N/A	N/A	A 804 NEOP WH	P2860-10	N/A	W-5935-M
GEC14	N/A	N/A	N/A	N/A	N/A	N/A	N/A
GEC15	N/A	N/A	N/A	B-804-NEOP-WH	P2860-50	N/A	W-5900-M
GEC16	N/A	N/A	N/A	H-804-NEOP-WH	N/A	N/A	N/A
Slotted Angle							
G15410GL	N/A	N/A	N/A	N/A	N/A	N/A	N/A
G15412GL	N/A	N/A	N/A	N/A	N/A	N/A	N/A
G25410GL	N/A	N/A	N/A	N/A	N/A	N/A	N/A
G25412GL	N/A	N/A	N/A	N/A	N/A	N/A	N/A
G35210GL	N/A	N/A	N/A	N/A	N/A	N/A	N/A
G35212GL	N/A	N/A	N/A	N/A	N/A	N/A	N/A

Notes

G-STRUT



SECTION 9

Price List

General:

See your representative for a discount multiplier for volume purchases.

G-STRUT®

Section 9

(No letter) = Solid

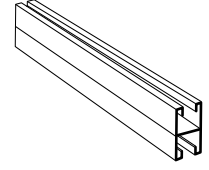
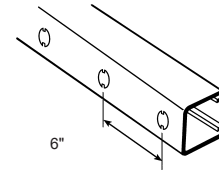
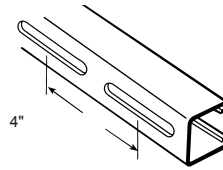
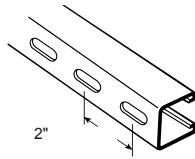
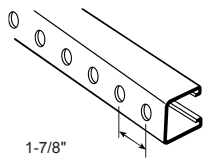
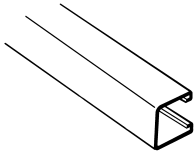
H = Hole

OS = Oval Slot

LS = Long Slot

KO = Knock Out

A = Back-to-back



Section 1 - Strut Channels

Catalog No.	Std. Bndl. (ft.)	Wt. per 100'	Cat. Pg. #	List Price (per 100')
G8121	500	313	12	\$ 1200.00
G8122	500	313	12	1200.00
G812H1	500	313	12	1200.00
G812H2	500	313	12	1200.00
G812OS1	500	313	12	1200.00
G812OS2	500	313	12	1200.00
G812LS1	500	313	12	1200.00
G812LS2	500	313	12	1200.00
G812A1	500	626	12	3500.00
G812A2	500	626	12	3500.00
G812KO1	500	313	12	1400.00
G812KO2	500	313	12	1400.00
G8121POP	500	313	12	1500.00
G8122POP	500	13	12	1500.00
G812H1POP	500	313	12	1500.00
G812H2POP	500	313	12	1500.00
G812OS1POP	500	313	12	1500.00
G812OS2POP	500	313	12	1500.00
G812LS1POP	500	313	12	1500.00
G812LS2POP	500	313	12	1500.00
G812A1POP	500	626	12	4000.00
G812A2POP	500	626	12	4000.00
G812KO1POP	500	313	12	2000.00
G812KO2POP	500	313	12	2000.00
G812YZ	500	313	12	*
G812PO	500	313	12	*
G812HDG	500	313	12	*
G812PVC	500	313	12	*

Catalog No.	Std. Bndl. (ft.)	Wt. per 100'	Cat. Pg. #	List Price (per 100')
G7121	500	244	13	\$ 700.00
G7122	500	244	13	700.00
G712H1	500	244	13	700.00
G712H2	500	244	13	700.00
G712OS1	500	244	13	700.00
G712OS2	500	244	13	700.00
G712LS1	500	244	13	700.00
G712LS2	500	244	13	700.00
G712A1	500	488	13	3000.00
G712A2	500	488	13	3000.00
G712KO1	500	244	13	950.00
G712KO2	500	244	13	950.00
G7121POP	500	244	13	800.00
G7122POP	500	244	13	800.00
G712H1POP	500	244	13	800.00

Catalog No.	Std. Bndl. (ft.)	Wt. per 100'	Cat. Pg. #	List Price (per 100')
G712H2POP	500	244	13	\$ 800.00
G712OS1POP	500	244	13	800.00
G712OS2POP	500	244	13	800.00
G712LS1POP	500	244	13	800.00
G712LS2POP	500	244	13	800.00
G712A1POP	500	488	13	3500.00
G712A2POP	500	488	13	3500.00
G712KO1POP	500	244	13	1100.00
G712KO2POP	500	244	13	1100.00
G712YZ	500	244	13	*
G712GN	500	244	13	*
G712PO	500	244	13	*
G712HDG	500	244	13	*
G712PVC	500	244	13	*

Catalog No.	Std. Bndl. (ft.)	Wt. per 100'	Cat. Pg. #	List Price (per 100')
G5821	500	181	14	\$ 326.00
G5822	500	181	14	326.00
G582H1	500	181	14	326.00
G582H2	500	181	14	326.00
G582OS1	500	181	14	326.00
G582OS2	500	181	14	326.00
G582LS1	500	181	14	326.00
G582LS2	500	181	14	326.00
G582A1	500	362	14	1200.00
G582A2	500	362	14	1200.00
G582KO1	500	181	14	550.00
G582KO2	500	181	14	550.00
G5821POP	500	181	14	364.00
G5822POP	500	181	14	364.00
G582H1POP	500	181	14	364.00
G582H2POP	500	181	14	364.00
G582OS1POP	500	181	14	364.00
G582OS2POP	500	181	14	364.00
G582LS1POP	500	181	14	364.00
G582LS2POP	500	181	14	364.00
G582A1POP	500	362	14	1400.00
G582A2POP	500	362	14	1400.00
G582KO1POP	500	181	14	600.00
G582KO2POP	500	181	14	600.00
G582YZ	500	181	14	*
G582AL	500	181	14	*
G582GN	500	181	14	*
G582PO	500	181	14	*
G582HDG	500	181	14	*
G582SS	500	181	14	*
G582PVC	500	181	14	*

PRICE LIST

Catalog No.	Std. Bndl. (ft.)	Wt. per 100'	Cat. Pg. #	List Price (per 100')
G5841	500	140	16	\$ 295.00
G5842	500	140	16	295.00
G584H1	500	140	16	295.00
G584H2	500	140	16	295.00
G584OS1	500	140	16	295.00
G584OS2	500	140	16	295.00
G584LS1	500	140	16	295.00
G584LS2	500	140	16	295.00
G584A1	500	280	16	1800.00
G584A2	500	280	16	1800.00
G584KO1	500	140	16	500.00
G584KO2	500	140	16	500.00
G5841POP	500	140	16	350.00
G5842POP	500	140	16	350.00
G584H1POP	500	140	16	350.00
G584H2POP	500	140	16	350.00
G584OS1POP	500	140	16	350.00
G584OS2POP	500	140	16	350.00
G584LS1POP	500	140	16	350.00
G584LS2POP	500	140	16	350.00
G-584A-1POP	500	280	16	1900.00
G-584-A-2POP	500	280	16	1900.00
G-584-KO-1POP	500	140	16	600.00
G-584-KO-2POP	500	140	16	600.00
G-584-YZ	500	140	16	*
G-584-GN	500	140	16	*
G-584-PO	500	140	16	*
G-584-HDG	500	140	16	*
G-584-SS	500	140	16	*
G-584-PVC	500	140	16	*

Catalog No.	Std. Bndl. (ft.)	Wt. per 100'	Cat. Pg. #	List Price (per 100')
G3821	500	167	17	\$ 350.00
G3822	500	167	17	350.00
G382H1	500	167	17	350.00
G382H2	500	167	17	350.00
G382OS1	500	167	17	350.00
G382OS2	500	167	17	350.00
G382LS1	500	167	17	350.00
G382LS2	500	167	17	350.00
G382A1	500	334	17	2000.00
G382A2	500	334	17	2000.00
G382KO1	500	167	17	600.00
G382KO2	500	167	17	600.00
G3821POP	500	167	17	450.00
G3822POP	500	167	17	450.00
G382H1POP	500	167	17	450.00
G382H2POP	500	167	17	450.00
G382OS1POP	500	167	17	450.00
G382OS2POP	500	167	17	450.00
G382LS1POP	500	167	17	450.00
G382LS2POP	500	167	17	450.00
G382A1POP	500	334	17	2200.00

Catalog No.	Std. Bndl. (ft.)	Wt. per 100'	Cat. Pg. #	List Price (per 100')
G382A2POP	500	334	17	\$ 2200.00
G382KO1POP	500	167	17	550.00
G382KO2POP	500	167	17	550.00
G382YZ	500	167	17	*
G382GN	500	167	17	*
G382PO	500	167	17	*
G382HDG	500	167	17	*
G382PVC	500	167	17	*

Catalog No.	Std. Bndl. (ft.)	Wt. per 100'	Cat. Pg. #	List Price (per 100')
G1021	500	141	18	\$ 330.00
G1022	500	141	18	330.00
G102H1	500	141	18	330.00
G102H2	500	141	18	330.00
G102OS1	500	141	18	330.00
G102OS2	500	141	18	330.00
G102LS1	500	141	18	330.00
G102LS2	500	141	18	330.00
G102A1	500	282	18	2000.00
G102A2	500	282	18	2000.00
G102KO1	500	141	18	600.00
G102KO2	500	141	18	600.00
G1021POP	500	141	18	700.00
G1022POP	500	141	18	450.00
G102H1POP	500	141	18	450.00
G102H2POP	500	141	18	450.00
G102OS1POP	500	141	18	450.00
G102OS2POP	500	141	18	450.00
G102LS1POP	500	141	18	450.00
G102LS2POP	500	141	18	450.00
G102A1POP	500	282	18	2200.00
G102A2POP	500	282	18	2200.00
G102KO1POP	500	141	18	800.00
G102KO2POP	500	141	18	800.00
G102YZ	500	141	18	*
G102GN	500	141	18	*
G102PO	500	141	18	*
G102HDG	500	141	18	*
G102PVC	500	141	18	*

Catalog No.	Std. Bndl. (ft.)	Wt. per 100'	Cat. Pg. #	List Price (per 100')
G7821	500	135	19	\$ 500.00
G7822	500	135	19	500.00
G782H1	500	135	19	500.00
G782H2	500	135	19	500.00
G782OS1	500	135	19	500.00
G782OS2	500	135	19	500.00
G782LS1	500	135	19	500.00
G782LS2	500	135	19	500.00
G782A1	500	270	19	2000.00
G782A2	500	270	19	2000.00
G782KO1	500	135	19	650.00

* Consult factory for information

Catalog No.	Std. Bndl. (ft.)	Wt. per 100'	Cat. Pg. #	List Price (per 100')
G782KO2	500	135	19	\$ 650.00
G7821POP	500	135	19	600.00
G7822POP	500	135	19	600.00
G782H1POP	500	135	19	600.00
G782H2POP	500	135	19	600.00
G782OS1POP	500	135	19	600.00
G782OS2POP	500	135	19	600.00
G782LS1POP	500	135	19	600.00
G782LS2POP	500	135	19	600.00
G782A1POP	500	270	19	3000.00
G782A2POP	500	270	19	3000.00
G782KO1POP	500	135	19	750.00
G782KO2POP	500	135	19	750.00
G782YZ	500	135	19	*
G782PO	500	135	19	*
G782HDG	500	135	19	*
G782PVC	500	135	19	*

Catalog No.	Std. Bndl. (ft.)	Wt. per 100'	Cat. Pg. #	List Price (per 100')
G1321	500	132	20	\$ 290.00
G1322	500	132	20	290.00
G132H1	500	132	20	290.00
G132H2	500	132	20	290.00
G132OS1	500	132	20	290.00
G132OS2	500	132	20	290.00
G132LS1	500	132	20	290.00
G132LS2	500	132	20	290.00
G132A1	500	264	20	1800.00
G132A2	500	264	20	1800.00
G132KO1	500	132	20	500.00
G132KO2	500	132	20	500.00
G1321POP	500	132	20	350.00
G1322POP	500	132	20	350.00
G132H1POP	500	132	20	350.00
G132H2POP	500	132	20	350.00
G132OS1POP	500	132	20	350.00
G132OS2POP	500	132	20	350.00
G132LS1POP	500	132	20	350.00
G132LS2POP	500	132	20	350.00
G132A1POP	500	264	20	1900.00
G132A2POP	500	264	20	1900.00
G132KO1POP	500	132	20	600.00
G132KO2POP	500	132	20	600.00
G132YZ	500	132	20	*
G132GN	500	132	20	*
G132PO	500	132	20	*
G132HDG	500	132	20	*
G132PVC	500	132	20	*

Catalog No.	Std. Bndl. (ft.)	Wt. per 100'	Cat. Pg. #	List Price (per 100')
G1341	500	101	22	\$ 240.00
G1342	500	101	22	240.00
G134H1	500	101	22	240.00
G134H2	500	101	22	240.00
G134OS1	500	101	22	240.00
G134OS2	500	101	22	240.00
G134LS1	500	101	22	240.00
G134LS2	500	101	22	240.00
G134A1	500	202	22	1000.00
G134A2	500	202	22	1000.00
G134KO1	500	101	22	450.00
G134KO2	500	101	22	450.00
G1341POP	500	101	22	280.00
G1342POP	500	101	22	280.00
G134H1POP	500	101	22	280.00
G134H2POP	500	101	22	280.00
G134OS1POP	500	101	22	280.00
G134OS2POP	500	101	22	280.00
G134LS1POP	500	101	22	280.00
G134LS2POP	500	101	22	280.00
G134A1POP	500	202	22	1200.00
G134A2POP	500	202	22	1200.00
G134KO1POP	500	101	22	550.00
G134KO2POP	500	101	22	550.00
G134YZ	500	101	22	*
G134AL	500	101	22	*
G134GN	500	101	22	*
G134PO	500	101	22	*
G134HDG	500	101	22	*
G134SS	500	101	22	*
G134PVC	500	101	22	*

Section 2 - Hardware

Catalog No.	Std. Bndl. (ft.)	Wt. per 100'	Cat. Pg. #	List Price (per 100')
GN800	Nut-no spr.	6	24	\$.91
GN801		9	24	.95
GN802		9	24	1.05
GN803		12	24	1.16
GN804		13	24	2.24
GN805		13	24	3.43
GN806		13	24	2.24
GN807		13	24	3.43
GN808		7	24	1.26
GN809		13	24	4.20
GN810		7	24	1.05
GN811		9	24	1.12
GN812		9	24	1.26
GN814		10	24	2.66
GN815		9	24	6.65
GN818		7	24	1.19
GN820		7	24	.85

Catalog No.	Std. Bndl. (ft.)	Wt. per 100'	Cat. Pg. #	List Price (per 100')
GN821			10 24	\$.95
GN822			10 24	1.12
GN823			13 24	1.19
GN824			13 24	2.94
GN825			13 24	2.66
GN828			7 24	1.05
GN829			13 24	4.20
GN830			7 24	1.33
GN831			10 24	1.33
GN832			10 24	1.54
GN833			13 24	1.54
GN834			13 24	5.81
GN835			13 24	6.02
GN838			7 24	6.58

Catalog No.	Std. Bndl. (ft.)	Wt. per 100'	Cat. Pg. #	List Price (per 100')
GTSN800	Top Spr. nut		6 25	\$ 1.33
GTSN801			9 25	1.54
GTSN802			9 25	1.54
GTSN808			7 25	3.78
GHH25050	Hex Hd. Scr.		1 25	.25
GHH25075			1.3 25	.30
GHH25100			1.7 25	.30
GHH375075			4 25	.60
GHH375100			4.5 25	.70
GHH375125			5.3 25	.85
GHH375150			6.1 25	.95
GHH375200			7.6 25	1.25
GHH375225			8.5 25	1.50
GHH50100			9.1 25	1.45
GHH50125			10 25	1.60
GHH50150			11.6 25	1.80
GHH50175			13.2 25	2.25
GHH50200			14.7 25	2.50
GHH50225			16 25	.30
GHH50250			17.5 25	.30
GLW025	Lock washer		.7 25	.10
GLW375			1.5 25	.20
GLW050			3.5 25	.35
GFW025	Flat washer		.7 25	.15
GFW375			1.5 25	.30
GFDW025	Fender Washers		3.0 25	8.00
GFDW037			3.0 25	10.00
GFDW050			3.0 25	20.00
GHN025	Hex nuts		.6 25	.15
GHN3125			1.2 25	.20
GHN375			1.6 25	.60
GHN050			4.8 25	1.20
GFH062	Flat screw		1.2 26	.10
GFH100			2.6 26	.10
GFH200			6.5 26	.10
GFH225			7.1 26	.10

Catalog No.	Std. Bndl. (ft)per 100'	Wt. per 100'	Cat. Pg. #	List Price (per 100')
GFH250			7.7 26	\$.10
GRH1075	Round screw		1.2 26	.10
GRH1100			1.5 26	.10
GRH1125			1.8 26	.10
GRH2100			2.6 26	.10
GRH2125			3 26	.10
GRH2150			3.5 26	.10
GRH3100			4.1 26	.10
GRH3025			4.7 26	.10
GRH3150			5.3 26	.10
GRH3250			7.7 26	.10
GSN025	Square nuts		.9 26	.25
GSN3125			16 26	.50
GSN375			2.7 26	.50
GSN050			5.8 26	.70
GAT025	All-thread rod		12 26	1.01/ft.
GAT037			30 26	1.18/ft.
GAT050			54 26	1.65/ft.
GAT062			85 26	3.31/ft.
GAT075			125 26	4.30/ft.
GRC025	Rod couplers		2 26	1.00
GRC037			11 26	1.00
GRC050			11 26	1.00
GRC062			16 26	3.00
GRC075			28 26	4.00

Section 3 - Fittings & Accessories

Catalog No.	Std. Bndl. (ft)per 100'	Wt. per 100'	Cat. Pg. #	List Price (per 100')
G201025	Sq. washer		18 27	\$.90
G201031			18 27	.90
G201037			18 27	.90
G201050			17 27	.90
G201062			16 27	.90
G201075			15 27	.90
G202025	Sq.w no turn		18 27	1.10
G202031			18 27	1.10
G202037			17 27	1.10
G202050			17 27	1.10
G202062			16 27	1.10
G202075			16 27	1.10
G2031	2 hole plate		50 27	1.96
G2032	2 hole splice		35 27	1.82
G2033	Splice plt		34 27	1.82
G205	4 hole splice		76 27	3.36
G2051	4 hole splice		55 27	11.10
G206	3 hole splice		50 27	2.52
G2061	3 hole splice		50 27	2.52
G207	3 hole swivel		69 27	4.90
G2071	2 hole swivel		56 27	9.62
G208	5 hole splice		96 27	10.78
G210	3 hole fit plate		56 27	4.06

G-STRUT®

Section 9

Catalog No.	Std. Bndl. (ft.)	Wt. per 100'	Cat. Pg. #	List Price (per 100')
G211	3 hole corner	70	29	\$ 5.46
G212	3 hole connect	70	29	4.55
G213	4 hole tee plt	75	29	4.76
G214	4 hole join plt	75	29	4.97
G216	5 hole crss plt	100	29	8.74
G217	4 hole connect	100	29	5.88
G218	4 hole connect	102	29	5.39
G219	5 hole connect	143	29	8.26
G2191	5 hole connect	145	29	9.10
G220	7 hole connect	232	29	20.65
G221	6 hole connect	149	29	12.95
G222	6 hole crss c.	166	29	19.95
G301	2 hole angle	37	29	2.31
G302	2 hole angle	37	29	2.31

Catalog No.	Std. Bndl. (ft.)	Wt. per 100'	Cat. Pg. #	List Price (per 100')
G3031	2 hole no twist	49	30	\$ 2.24
G3032		54	30	3.22
G3033		61	30	3.36
G304	2 hole no twist	39	30	4.20
G3051	3 hole bracket	57	30	4.06
G306	3 hole connect	58	30	2.94
G3061	1 hole angle	48	30	3.99
G3062		83	30	2.94
G3063		105	30	2.31
G3064		130	30	3.50
G3071	3 hole corner sh	72	30	6.10
G308	4 hole shelf	148	30	6.86
G309	4 hole join c.	105	30	7.00
G310	4 hole duplex	103	30	9.80
G311	4 hole angle	78	30	3.28
G3111	4 hole angle	76	30	3.28
G3112	4 hole angle	76	30	3.28
G312	4 hole bent tee	77	30	9.52
G313	5 hole duplex	135	30	20.50

Catalog No.	Std. Bndl. (ft.)	Wt. per 100'	Cat. Pg. #	List Price (per 100')
G314	5 hole joint	141	31	\$ 23.00
G315	Slotted joint c.	180	31	10.50
G3151		256	31	12.95
G3171		58	31	3.50
G3172		58	31	3.50
G3191	2 hole angle br	63	31	3.36
G3192		63	31	3.36
G3193		63	31	3.36
G3194	Angle bracket	63	31	3.36
G3195		63	31	3.36
G3196		63	31	3.36
G3197	Open angle br	59	31	3.36
G3198		59	31	3.36
G3199		59	31	3.36
G31910		59	31	3.36

Catalog No.	Std. Bndl. (ft.)	Wt. per 100'	Cat. Pg. #	List Price (per 100')
G31911		59	31	\$ 2.94
G3201	4 hole open	78	31	5.95
G3202		78	31	5.95
G3203		78	31	5.95
G3204		78	31	5.95
G3205		78	31	5.95
G3206		78	31	5.95
G3207		78	31	5.95
G3208		78	31	5.95
G3209		78	31	5.95
G32010		78	31	5.95
G32011		78	31	5.95

Catalog No.	Std. Bndl. (ft.)	Wt. per 100'	Cat. Pg. #	List Price (per 100')
G32001	4 hole closed	100	32	\$ 5.95
G32002		100	32	5.95
G32003		100	32	5.95
G32004		100	32	5.95
G32005		100	32	5.95
G32006		100	32	5.95
G32007		100	32	5.95
G321L	3 hole single	54	32	6.65
G321R		54	32	6.65
G32112L	6 hole single	120	32	8.96
G32112R		120	32	8.96
G322	Z angle	54	32	3.85
G323	Z angle	50	32	4.20
G3231		66	32	4.20
G3232		53	32	4.20
G3233		47	32	4.20
G3234		70	32	5.25
G3235		90	32	8.82

Catalog No.	Std. Bndl. (ft.)	Wt. per 100'	Cat. Pg. #	List Price (per 100')
G326	4 hole double	76	33	\$ 6.16
G3261	8 hole double	155	33	9.73
G327	5 hole double	93	33	7.35
G3271	10 hole double	193	33	13.65
G3281	6 hole triple	107	33	8.05
G329	12 hole triple	230	33	16.80
G3291	5 hole angle	100	33	15.42
G3292		100	33	15.42
G330L	3 hole angle	54	33	10.50
G330R		54	33	10.50
G331	3 hole adjust	59	33	9.14
G332	2 hole tapped	33	33	8.00
G333	2 hole adjust	36	33	6.78
G334	2 hole adjust	97	33	12.76
G335	Univers shelf	134	33	12.76
G335W	Univers shelf	134	33	12.76

Catalog No.	Std. Bndl. (ft.)	Wt. per 100'	Cat. Pg. #	List Price (per 100')
G336	Slotted angle	58	34	\$ 4.55
G3361	Slotted angle	85	34	5.60
G337	Slotted angle	38	34	3.15
G3381	2 hole offset angle	48	34	5.25
G3382		53	34	5.95
G3383		60	34	6.65
G339	3 hole offset	71	34	10.15
G340	5 hole offset	100	34	18.22
G3411	4 hole offset	76	34	6.65
G3412		76	34	6.65
G34101	Z angle duct	89	34	5.46
G34102		78	34	4.83
G34103		62	34	4.13
G3421	4 hole joint	100	34	8.75
G3422		100	34	8.75
G3431	4 hole joint	100	34	8.75
G3432		100	34	8.75

Catalog No.	Std. Bndl. (ft.)	Wt. per 100'	Cat. Pg. #	List Price (per 100')
G344	2 hole duct	37	35	\$ 2.31
G3461	Channel hang	7	35	3.85
G3462		9	35	4.20
G3463		11	35	5.60
G3464		13	35	5.95
G347	Tapped Z ang	51	35	10.32
G348	3 hole sheath	68	35	6.65
G349	Adj Z angle	102	35	13.65
G350	8 hole double	177	35	10.71
G351	9 hole triple	202	35	9.52
G352	8 hole double	217	35	16.80
G353L	10 hole double	285	35	31.50
G6011	"U" Support	75	35	9.10
G6012		84	35	10.00
G6013		85	35	12.00
G6014		108	35	16.68
G6015		116	35	17.50
G6016		125	35	18.50

Catalog No.	Std. Bndl. (ft.)	Wt. per 100'	Cat. Pg. #	List Price (per 100')
G6017		166	36	\$ 8.96
G6018		157	36	10.00
G6021	"U" Support	103	36	16.00
G6022		115	36	18.00
G6023		135	36	19.50
G603		280	36	27.00
G6031	Knee brace	232	36	23.10
G6032		175	36	23.10
G6041	3 Hole splice	195	36	11.76
G605L	Pipe axle supp	225	36	23.10
G605R		225	36	23.10
G6061	4 Hole splice	275	36	12.40
G6062		200	36	11.50

Catalog No.	Std. Bndl. (ft.)	Wt. per 100'	Cat. Pg. #	List Price (per 100')
G6063		200	36	\$ 11.50
G607	2 Hole splice	76	36	6.65
G6081	Tubing knee br	145	36	26.76
G6082		186	36	30.18
G6083		225	36	33.78
G6084		266	36	37.38
G6085		307	36	42.20
G6086		348	36	44.30
G6087		389	36	49.30
G6088		430	36	55.80

Catalog No.	Std. Bndl. (ft.)	Wt. per 100'	Cat. Pg. #	List Price (per 100')
GTB6081	2 Hole str tube	133	37	\$ 29.80
GTB6082		174	37	31.60
GTB6083		215	37	32.60
GTB6084		256	37	33.46
GTB6085		295	37	37.18
GTB6086		335	37	39.72
GTB6087		380	37	44.10
GTB6088		420	37	47.10
GTB6089		500	37	54.70
GTB60810		585	37	58.40
GTB60811		670	37	67.30
G6091	5 Hole "U"	200	37	12.60
G6092		123	37	11.20
G6094	5 Hole "U"	105	37	11.20
G6095		100	37	11.20
G610	Double U chn	105	37	10.50
G611	Trolley beam	220	37	12.67
G6111	Vertical U chn	102	37	26.52
G613	Inters. U supp	171	37	13.23

Catalog No.	Std. Bndl. (ft.)	Wt. per 100'	Cat. Pg. #	List Price (per 100')
G6221	2 hole clevis	57	38	\$ 8.82
G6222		73	38	9.94
G6223		84	38	12.16
G6224		78	38	9.38
G6225		89	38	10.24
G6226		107	38	11.26
G6227		112	38	12.28
G6228		124	38	12.92
G623	3 Hole clevis	75	38	11.48
G624	3 Hole susp cl.	75	38	18.10
G625	4 hole susp cl.	71	38	9.70
G617	3 Hole U supp	95	38	14.20
G618	5 Hole U supp	51	38	6.40
GCLPL	Closure strips	48	38	10.50
GCLPG		45	38	28.00

G-STRUT®

Section 9

Catalog No.	Std. Bndl. (ft.)	Wt. per 100'	Cat. Pg. #	List Price (per 100')
G619	Single post	307	39	\$ 18.90
G619A	Double post	325	39	26.60
G619FL	Single post	230	39	18.90
G619AFL	Double post	250	39	27.00
G619ASQ	Double post	307	39	18.90
G619SQ	Single post	314	39	18.90
G620	Single post	373	39	18.90
G620A	Double post	408	39	22.40

Catalog No.	Std. Bndl. (ft.)	Wt. per 100'	Cat. Pg. #	List Price (per 100')
G620AFL	Double post	320	40	\$ 62.88
G620FL	Single post	312	40	35.44
G620FL1	Single post	312	40	35.44
G620ASQ	Double post	408	40	18.90
G620SQ	Single post	373	40	18.90
G401	Beam Clamp	100	40	8.75
G402	U bolt beam cl	25	40	4.55
G4021		25	40	4.90

Catalog No.	Std. Bndl. (ft.)	Wt. per 100'	Cat. Pg. #	List Price (per 100')
G403	Single bolt slit	26	41	\$ 7.35
G406	Flange contact	63	41	8.12
G407	Flange contact	72	41	9.24
G4071		94	41	7.00
G408 1/4	Flange insert	41	41	3.85
G408 3/8		62	41	6.44
G4082		62	41	6.44
G4101	Beam clamp	67	41	29.00
G4102		67	41	35.00
G4103		67	41	41.00
G4104		100	41	47.00
G4105		100	41	53.00
G4106		130	41	59.00
G4107		130	41	65.00
G4108		160	41	71.00
G4109		160	41	77.00
G4111	Beam clamp	67	41	14.70
G4112		151	41	7.35
G4113		195	41	20.72

Catalog No.	Std. Bndl. (ft.)	Wt. per 100'	Cat. Pg. #	List Price (per 100')
G4141	Small mouth	21	42	\$ 12.67
G4142	beam clamp	41	42	13.33
G4143		75	42	20.00
GM601	Stair support	206	42	16.10
GM602	Stair support	220	42	16.10
GM6101	Ladder rung	176	42	20.30
GM6102		202	42	23.10
GM6103		234	42	25.90
GM6111	Wall bracket	110	42	16.50

Catalog No.	Std. Bndl. (ft.)	Wt. per 100'	Cat. Pg. #	List Price (per 100')
GM6112		164	42	\$ 22.90
GM6113		200	42	29.50
GM6114		253	42	32.00
GM6115		318	42	36.00
GT6121		150	42	27.56
GT6122		250	42	34.08
GT6123		350	42	40.60
GT6124		450	42	47.12
GT613	Bracket	190	42	28.88
GT6131		290	42	39.90
GT615	Bracket	230	42	50.60
GT616	Double chnl br	275	42	85.90

Catalog No.	Std. Bndl. (ft.)	Wt. per 100'	Cat. Pg. #	List Price (per 100')
GT6171	Wrap around	190	43	\$ 27.30
GT6172		275	43	31.50
GT6181	Interlocking	150	43	19.70
GT6182		250	43	29.60
GT6183		350	43	35.00
GT6184		50	43	46.60
GT6191	Shelf bracket	68	43	29.40
GT6192		202	43	30.80
GT6193		258	43	32.20
GT6194		295	43	35.56
GT6206L	Shelf support	58	43	18.76
GT6206R		58	43	18.76
GT6208L		83	43	19.46
GT6208R		83	43	19.46
GT62010L		114	43	19.60
GT62010R		114	43	19.60
GT62112L	Shelf support	149	43	21.84
GT62112R		149	43	21.84
GT62114L		174	43	24.50
GT62114R		174	43	24.50
GT62116L		225	43	26.18
GT62116R		225	43	26.18
GT62118L		255	43	28.00
GT62118R		255	43	28.00
GT62120L		295	43	31.50
GT62120R		295	43	31.50
GT62122L		361	43	35.00
GT62122R		361	43	35.00

Catalog No.	Std. Bndl. (ft.)	Wt. per 100'	Cat. Pg. #	List Price (per 100')
GT62224L	Shelf support	396	44	\$ 38.50
GT62224R		396	44	38.50
GT62226L		456	44	42.70
GT62226R		456	44	42.70
GT62228L		479	44	46.90
GT62228R		479	44	46.90
GT62230L		544	44	51.80

Catalog No.	Std. Bndl. (ft.)	Wt. per 100'	Cat. Pg. #	List Price (per 100')
GT62230R		544	44	\$ 51.80
GT6231	Shelf bracket	405	44	75.40
GT6232		468	44	97.44
GT6233		490	44	118.90
GT6251	Braced single	388	44	63.06
GT6252		506	44	78.10
GT6253		672	44	91.10

Section 4 - Clamps

Catalog No.	Std. Bndl. (ft.)	Wt. per 100'	Cat. Pg. #	List Price (per 100')
GC110037	Conduit.- emt	10	46	\$ 1.29
GC110050		11	46	1.44
GC110050asmb1		11	46	1.44
GC110075		12	46	1.46
GC110075asmb1		12	46	1.46
GC110100		15	46	1.55
GC110100asmb1		15	46	1.55
GC110125		18	46	1.68
GC110125asmb1		18	46	1.68
GC110150		29	46	1.80
GC110150asmb1		29	46	1.80
GC110200		33	46	2.00
GC110200asmb1		33	46	2.00

Catalog No.	Std. Bndl. (ft.)	Wt. per 100'	Cat. Pg. #	List Price (per 100')
GC112037	Conduit rigid	10	47	\$ 1.29
GC112050		11	47	1.50
GC112050asmb1		11	47	1.50
GC112075		15	47	1.52
GC112075asmb1		15	47	1.52
GC112100		17	47	1.65
GC112100asmb1		17	47	1.65
GC112125		19	47	1.90
GC112125asmb1		19	47	1.90
GC112150		29	47	2.27
GC112150asmb1		29	47	2.27
GC112200		34	47	2.30
GC112200asmb1		34	47	2.30
GC112250		40	47	2.40
GC112250asmb1		40	47	2.40
GC112300		47	47	2.87
GC112300asmb1		47	47	2.87
GC112350		62	47	2.97
GC112350asmb1		62	47	2.97
GC112400		67	47	3.20
GC112400asmb1		67	47	3.20
GC112500		80	47	4.45
GC112600		102	47	5.10
GC112800		130	47	7.50
GC1121000		143	47	10.10

Catalog No.	Std. Bndl. (ft.)	Wt. per 100'	Cat. Pg. #	List Price (per 100')
GC114037	Conduit univ.	11	47	\$.77
GC114050		12	47	1.02
GC114050asmb1		12	47	1.02
GC114075		13	47	1.08
GC114075asmb1		13	47	1.08
GC114100		17	47	1.16
GC114100asmb1		17	47	1.16

Catalog No.	Std. Bndl. (ft.)	Wt. per 100'	Cat. Pg. #	List Price (per 100')
GC114125		20	48	\$ 1.26
GC114125asmb1		20	48	1.26
GC114150		22	48	1.32
GC114150asmb1		22	48	1.32
GC114200		23	48	1.71
GC114200asmb1		23	48	1.91
GC111025	Conduit o.d.	8	48	.95
GC111037		8	48	1.09
GC111050		9	48	1.23
GC111062		10	48	1.37
GC111075		11	48	1.51
GC111087		12	48	1.65
GC111100		14	48	1.79
GC111112		15	48	1.87
GC111125		16	48	1.96
GC111137		17	48	2.10
GC111150		18	48	2.24
GC111162		19	48	2.35
GC111175		29	48	2.45
GC111187		28	48	2.56
GC111200		31	48	2.66
GC111212		32	48	2.77
GC111225		33	48	2.87
GC111237		34	48	2.98
GC111250		35	48	3.08
GC111262		37	48	3.19
GC111275		38	48	3.29
GC111287		40	48	3.40
GC111300		41	48	3.50
GC111312		43	48	3.61
GC111325		45	48	3.71
GC111337		46	48	3.82

Catalog No.	Std. Bndl. (ft.)	Wt. per 100'	Cat. Pg. #	List Price (per 100')
GC111350		47	49	\$ 3.92
GC111362	Conduit o.d.	56	49	4.03
GC111375		58	49	4.13
GC111387		60	49	4.24
GC111400		62	49	4.83
GC111412		62	49	4.94
GC111425		64	49	5.04
GC111437		66	49	5.15

G-STRUT®

Section 9

Catalog No.	Std. Bndl. (ft.)	Wt. per 100'	Cat. Pg. #	List Price (per 100')
GC111450		67	49	\$ 5.25
GC111462		70	49	5.36
GC111475		72	49	5.46
GC111487		73	49	5.57
GC111500		74	49	5.67
GC111512		76	49	5.78
GC111525		77	49	5.88
GC111537		78	49	5.99
GC111550		79	49	6.09
GC111562		88	49	6.20
GC111575		90	49	6.30
GC111587		92	49	6.41
GC111600		94	49	7.07
GC111612		96	49	7.18
GC111625		98	49	7.28
GC111637		99	49	7.39
GC111650		100	49	7.49
GC111662		102	49	7.60
GC111675		104	49	7.70
GC111687		106	49	7.81
GC111700		108	49	8.61
GC111712		110	49	8.72
GC111725		112	49	8.82
GC111737		114	49	8.93
GC111750		116	49	9.03
GC111762		117	49	9.14
GC111775		119	49	9.24
GC111787		121	49	9.35
GC111800		123	49	9.45

Catalog No.	Std. Bndl. (ft.)	Wt. per 100'	Cat. Pg. #	List Price (per 100')
GC1025	Cush. Clamp tube	11	50	\$ 6.65
GC1037		12	50	6.37
GC1050		13	50	6.37
GC1062		15	50	6.51
GC1075		19	50	7.28
GC1087		21	50	8.40
GC1100		25	50	8.75
GC1112		29	50	9.80
GC1125		29	50	10.64
GC1137		38	50	11.76
GC1150		38	50	12.60
GC1162		40	50	15.54
GC1175		42	50	15.75
GC1187		46	50	16.66
GC1200		46	50	17.01
GC1212		58	50	23.45
GC1237		58	50	25.55
GC1262		58	50	26.53
GC1300		69	50	33.88
GC1312		59	50	34.30
GC1362		75	50	46.13

Catalog No.	Std. Bndl. (ft.)	Wt. per 100'	Cat. Pg. #	List Price (per 100')
GC1412		90	50	\$ 64.40
GC2025	Cush. Clamp pipe	12	50	7.91
GC2037		24	50	8.54
GC2050		22	50	9.31
GC2075		58	50	10.29
GC2100		39	50	11.69
GC2125		43	50	15.47
GC2150		47	50	20.37
GC2200		55	50	26.04
GC2250		60	50	33.11
GC2300		76	50	44.17
GC2350		94	50	63.91
GC2400		93	50	83.65
GC2500		125	50	133.28
GC2600		145	50	179.76

Catalog No.	Std. Bndl. (ft.)	Wt. per 100'	Cat. Pg. #	List Price (per 100')
GC111025CT		8	51	\$ 2.66
GC111037CT		8	51	2.70
GC111050CT		9	51	2.76
GC111062CT		10	51	2.81
GC111075CT		11	51	2.88
GC111087CT		12	51	3.08
GC111100CT		14	51	3.85
GC111112CT		15	51	3.90
GC111125CT		16	51	3.96
GC111197CT		17	51	4.03
GC111150CT		18	51	4.13
GC111162CT		19	51	4.18
GC111175CT		29	51	4.34
GC111187CT		28	51	4.83
GC111200CT		31	51	4.88
GC111212CT		32	51	4.93
GC111225CT		33	51	4.98
GC111237CT		34	51	5.10
GC111250CT		35	51	5.18
GC111262CT		37	51	5.28
GC111275CT		38	51	5.36
GC111287CT		40	51	5.41
GC111300CT		41	51	5.50
GC111312CT		43	51	5.62
GC111325CT		45	51	5.78
GC111337CT		46	51	5.83
GC111350CT		47	51	5.90
GC111362CT		56	51	6.03
GC111375CT		58	51	6.18
GC111387CT		60	51	6.25
GC111400CT		62	51	6.30
GC111412CT		62	51	6.38
GC111425CT		64	51	6.45

Catalog No.	Std. Bndl. (ft.)	Wt. per 100'	Cat. Pg. #	List Price (per 100')
GC111450CT		67	52	\$ 6.60
GC111462CT		70	52	6.65
GC111475CT		72	52	6.68
GC111487CT		73	52	6.74
GC111500CT		74	52	6.80
GC111512CT		76	52	6.85
GC111525CT		77	52	6.91
GC111537CT		78	52	6.97
GC111550CT		79	52	7.06
GC111562CT		88	52	7.10
GC111575CT		90	52	7.13
GC111587CT		92	52	7.18
GC111600CT		94	52	7.20
GC111612CT		96	52	POA
GC111625CT		98	52	POA
GC111637CT		99	52	POA
GC111650CT		100	52	POA
GC111662CT		102	52	POA
GC111675CT		104	52	POA
GC111687CT		106	52	POA
GC111700CT		108	52	POA
GC111712CT		110	52	POA
GC111725CT		112	52	POA
GC111737CT		114	52	POA
GC111750CT		116	52	POA
GC111762CT		117	52	POA
GC111775CT		119	52	POA
GC111787CT		121	52	POA
GC111800CT		123	52	POA

Catalog No.	Std. Bndl. (ft.)	Wt. per 100'	Cat. Pg. #	List Price (per 100')
G1108050	2-hole pipe str	29	53	\$ 6.84
G1108075		32	53	7.06
G1108100		35	53	7.44
G1108125		41	53	7.76
G1108150		45	53	7.98
G1108200		100	53	12.54
G1108250		113	53	13.66
G1108300		132	53	14.66
G1108350		151	53	15.70
G1108400		166	53	16.56
G1108500		191	53	23.76
G1108600		223	53	25.18
G1108-800		297	53	27.00

Section 5 - Concrete Inserts & End Caps

Catalog No.	Std. Bndl. (ft.)	Wt. per 100'	Cat. Pg. #	List Price (per 100')
G1109025	1-hole tube cl	3	53	\$ 2.44
G1109031		3	53	2.46
G1109037		4	53	2.46
G1109050		4	53	2.62
G1109062		5	53	3.12
G1109075		6	53	3.26
G1109087		6	53	3.44
G1109100		7	53	3.60

Catalog No.	Std. Bndl. (ft.)	Wt. per 100'	Cat. Pg. #	List Price (per 100')
G382IN1		179	56	\$ 13.00
G382IN2		178	56	13.00
G132IN1		134	56	12.00
G132IN2		135	56	12.00
G582IN1		199	56	15.00
G582IN2		199	56	15.00
GECPG	A End Cap	15	56	5.00
GECPG1		15	56	4.00
GECPG2		15	56	3.90
GECPG3	B End Cap	22	56	1.50
GECPG4		22	56	1.40
GECPG5		5	56	1.35
GECPG6		18	56	1.30
GECPG7		12	56	2.00
GECPG8		18	56	.30
GEC13	Safety End Cap	2.0	56	3.00
GEC14		2.5	56	4.00
GEC15		2.8	56	5.00
GEC16		5.0	56	18.00

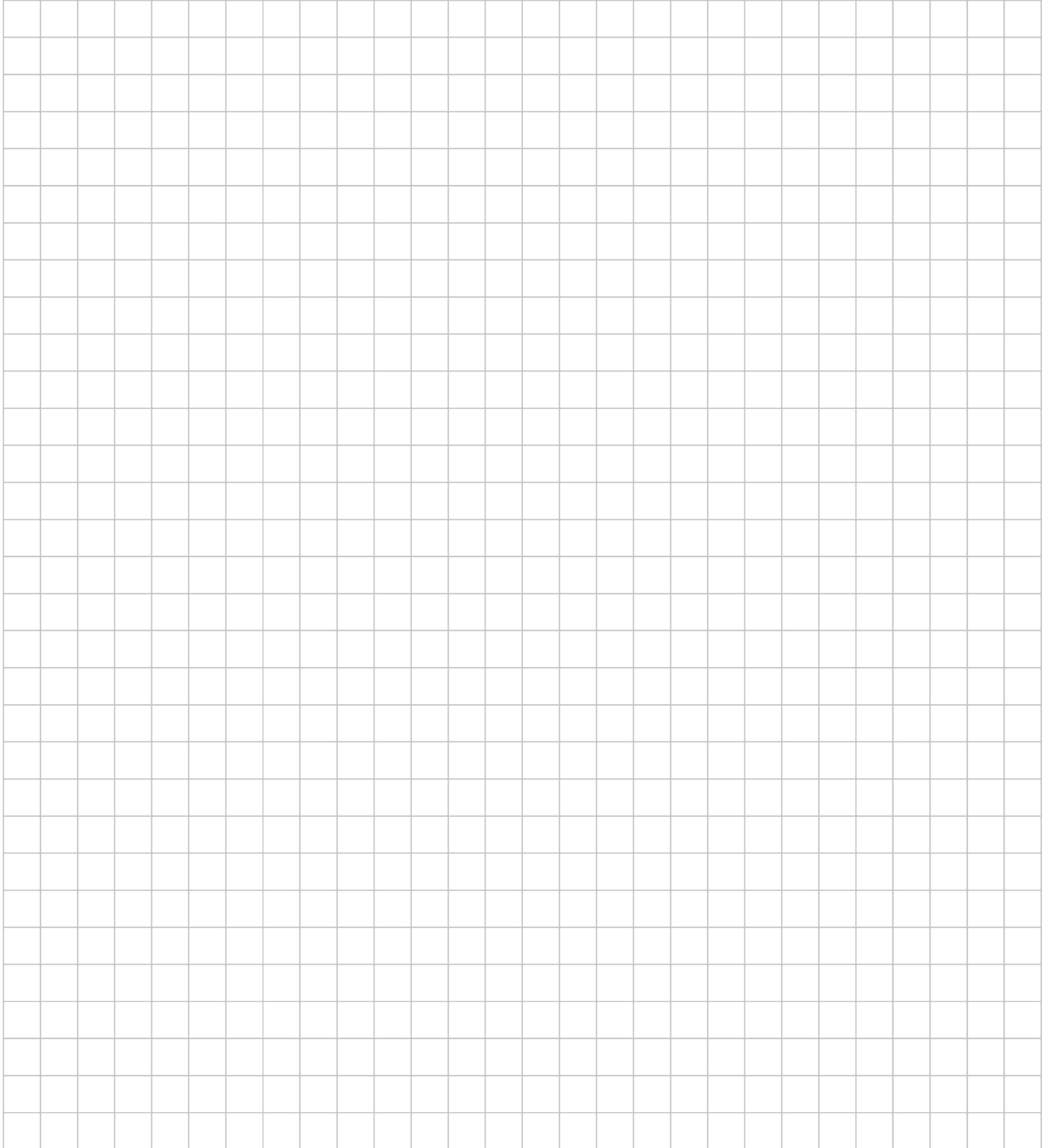
Section 6 - Slotted Angle & Pipe Support Systems

Catalog No.	Std. Bndl. (ft.)	Wt. per 100'	Cat. Pg. #	List Price (per 100')
G15410GL	Slotted Angle	80	58	*
G15412GL		80	58	*
G25410GL		95	58	*
G25412GL		95	58	*
G35210GL		135	58	*
G35212GL		135	58	*

* Consult factory for information

Notes

G-STRUT



SECTION 10

Index

General:

Index includes all products included in the catalog, referring to the name given by G-STRUT® and the designated page.

INDEX

Item	Page	Item	Page	Item	Page	Item	Page
Channels		G134A.....	20	GNM8820	22	GHH375125.....	24
G812.....	12	G134KO.....	20	GNM10821	22	GHH375150.....	24
G812H.....	12			GNM12821	22	GHH375200.....	24
G812OS.....	12	Regular Channel		GNM12823	22	GHH375225.....	24
G812LS	12	Nuts		GN832830	22	GHH50100.....	24
G812A.....	12	GN832800	22	GN1032830	22	GHH50125.....	24
G812KO.....	12	GN1032800	22	GN1024830	22	GHH50150.....	24
G712.....	13	GN1024800	22	GN830	22	GHH50175.....	24
G712H.....	13	GN800	22	GN831	22	GHH50200.....	24
G712OS.....	13	GN801	22	GN832	22	GHH50225.....	24
G712LS	13	GN802	22	GN833	22	GHH50250.....	24
G712A.....	13	GN803	22	GN834	22	GFH062.....	24
G712KO.....	13	GN804	22	GN835	22	GFH100.....	24
G582.....	14	GN805	22	GN838	22	GFH200.....	24
G582H.....	14	GN806	22	GNM6830	22	GFH225.....	24
G582OS.....	14	GN807	22	GNM8830	22	GFH250.....	24
G582LS	14	GN808	22	GNM10831	22	GRH1075.....	24
G582A.....	14	GNM6800	22	GNM12831	22	GRH1100.....	24
G582KO.....	14	GNM8800	22			GRH1125.....	24
G584.....	15	GNM10801	22	Specialty Channel		GRH2100.....	24
G584H.....	15	GNM12801	22	Nuts		GRH2125.....	24
G584OS.....	15	GNM12803	22	GSTN25100.....	23	GRH2150.....	24
G584LS	15	GTSN832800.....	22	GSTN25125.....	23	GRH3100.....	24
G584A.....	15	GTSN1032800... 22		GSTN25150.....	23	GRH3125.....	24
G584KO.....	15	GTSN1024800... 22		GSTN37100.....	23	GRH3150.....	24
G584SS.....	15	GTSN800.....	22	GSTN37125.....	23	GRH3250.....	24
G382.....	16	GTSN801.....	22	GSTN37150.....	23	GLW025.....	24
G382H.....	16	GTSN802.....	22	GSTN50100.....	23	GLW375.....	24
G382OS.....	16	GTSN808.....	22	GSTN50125.....	23	GLW050.....	24
G382LS	16	GN832810	22	GSTN50150.....	23	GFW025.....	24
G382A.....	16	GN10332810	22	GMN1032N.....	23	GFW375.....	24
G382KO.....	16	GN1024810	22	GMN1024N.....	23	GFW050.....	24
G102.....	17	GN810	22	GMN025N.....	23	GFDW025.....	24
G102H.....	17	GN811	22	GMN832S.....	23	GFDW037.....	24
G102OS.....	17	GN812	22	GMN1032S.....	23	GFDW050.....	24
G102LS	17	GN814	22	GMN1024S.....	23	GSN025.....	24
G102A.....	17	GN815	22	GMN025S.....	23	GSN3125.....	24
G102KO.....	17	GN818	22	GMN832	23	GSN375.....	24
G782.....	18	GNM6810	22	GMN1032	23	GSN050.....	24
G782H.....	18	GNM8810	22	GMN1024	23	GHN025.....	24
G782OS.....	18	GNM10811	22	GMN025	23	GHN3125.....	24
G782LS	18	GNM12811	22	GCN800.....	23	GHN375.....	24
G782A.....	18	GN832820	22	GCN801.....	23	GHN050.....	24
G782KO.....	18	GN1032820	22	GCN802.....	23	GRC025.....	24
G132.....	19	GN1024820	22	GDCN031.....	23	GRC037.....	24
G132H.....	19	GN820	22	GRS375062.....	23	GRC050.....	24
G132OS.....	19	GN821	22			GRC062.....	24
G132LS	19	GN822	22	Nuts, Bolts, Washers		GRC075.....	24
G132A.....	19	GN823	22	Swivels & Couplers		GSNHM037	24
G132KO.....	19	GN824	22	GHH25050.....	24	GSNHM050	24
G134.....	20	GN825	22	GHH25075.....	24	GSNHFF037	24
G134H.....	20	GN828	22	GHH25100.....	24	GSNHFF050.....	24
G134OS.....	20	GN829.....	22	GHH375075.....	24	GSNHFF037.....	24
G134LS	20	GNM6820	22	GHH375100.....	24	GSNHFF050.....	24

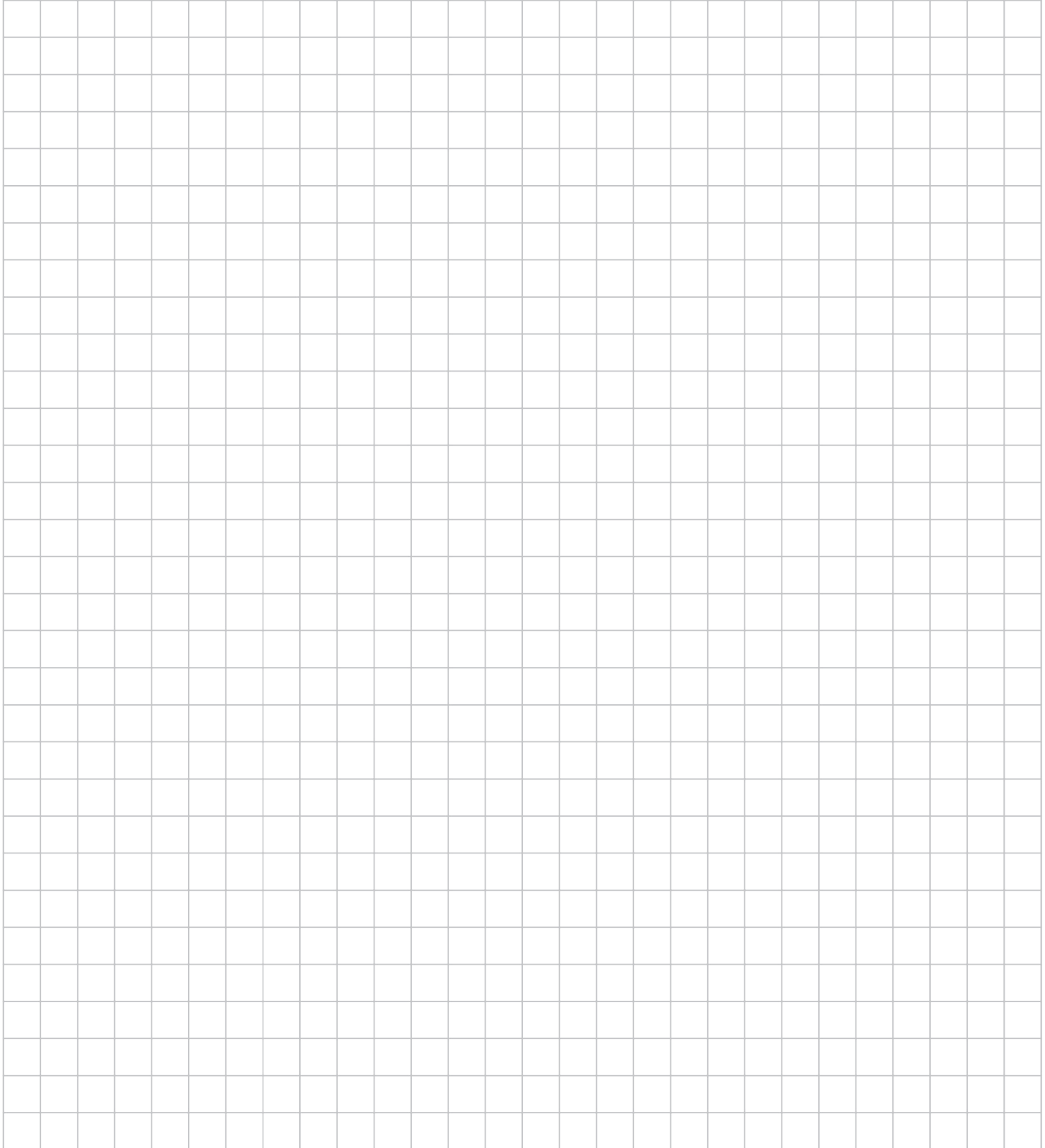
Item	Page	Item	Page	Item	Page	Item	Page
GSNHFM037	24	G206	29	90° Angle Fittings		G32001	39
GSNHFM050	24	G2061	29	G3071	35	G32002	39
All-threaded Rod		G208	29	G308	35	G32003	39
GAT0256	25	G207	29	G309	35	G32004	39
GAT02510	25	G205	29	G310	35	G32005	39
GAT02512	25	G2071	29	G313	35	G32006	39
GAT0316	25	G210	29	G314	35	G32007	39
GAT03110	25	G211	30	G316L	36	Wing Fittings	
GAT03112	25	G212	30	G316R	36	G339	40
GAT0376	25	G213	30	G318L	36	G312	40
GAT03710	25	G214	30	G318R	36	G340	40
GAT03712	25	G216	30	G335	36	G330L	40
GAT0506	25	G217	30	G335W	36	G330R	40
GAT05010	25	G218	31	Angle Fittings		G3411	40
GAT05012	25	G219	31	G3421	37	G3412	40
GAT0626	25	G2191	31	G3422	37	G321L	41
GAT06210	25	G220	31	G332	37	G321R	41
GAT06212	25	G221	31	G348	37	G329L	41
GAT0756	25	G222	31	GACB319	37	G329R	41
GAT07510	25	90° Angle Fittings		GACB320	37	G32112L	41
GAT07512	25	G3061	32	G316	38	G3211R	41
GAT0876	25	G3062	32	G3161	38	G326	42
GAT08710	25	G3063	32	G33001	38	G327	42
GAT08710	25	G3065	32	G33002	38	G3281	42
GAT08712	25	G301	32	G33003	38	G350	42
GAT1006	25	G302	32	G33004	38	G354	42
GAT10010	25	G304	32	G3171	38	G351	42
GAT10012	25	G3381	32	G3172	38	G355	42
GAT1126	25	G3382	32	G31001	38	G3261	42
GAT11210	25	G3383	32	G31002	38	G329	42
GAT11212	25	G3031	32	G3191	39	G328L	43
GAT1256	25	G3032	32	G3192	39	G328R	43
GAT12510	25	G3033	32	G3193	39	G343L	43
GAT12512	25	G306	33	G3194	39	G343R	43
Flat Plate Fittings		G3060	33	G3195	39	G352	43
G201025	28	G3064	33	G3196	39	G356	43
G201031	28	G3051	33	G3197	39	G357	43
G201037	28	G3052	33	G3198	39	G3271	43
G201050	28	G311	33	G3199	39	Z Angle Fittings	
G201062	28	G3111	33	G31910	39	G323	44
G201075	28	G3112	33	G31911	39	G3231	44
G203037	28	Adjustable Angle Fittings		G3201	39	G3232	44
G203050	28	G333	34	G3202	39	G3233	44
G2033	28	G337	34	G3203	39	G3234	44
G202025	28	G336	34	G3204	39	G3235	44
G202037	28	G3361	34	G3205	39	G34101	44
G202050	28	G331	34	G3206	39	G34102	44
G202062	28	G334	34	G3207	39	G34103	44
G202075	28	G315	34	G3208	39	G34104	44
G2031	28	G3151	34	G3209	39	G345	44
G2032	28			G32010	39	G347	44
G2051	28			G32011	39	G322	44

Item	Page	Item	Page	Item	Page	Item	Page
G3221.....	44	Hangers & Misc.		Beam Clamps		G4028.....	55
G349.....	44	Hardware		G403.....	52	GUB050.....	55
		G3461.....	48	G406.....	52	GUB075.....	55
Splice Channel		G3462.....	48	G407.....	52	GUB100.....	55
Fittings		G3463.....	48	G4071.....	52	GUB125.....	55
G6070.....	45	G3464.....	48	G4081/4.....	52	GUB150.....	55
G6071.....	45	G906.....	48	G4083/8.....	52	GUB200.....	55
G6041.....	45	G9061.....	48	G409.....	52	GUB250.....	55
G6061.....	45	G9062.....	48	G418.....	52	GUB300.....	55
G6062.....	45	G9063.....	48	G419.....	52	GUB350.....	55
G6063.....	45	G611.....	48	G4102.....	53	GUB400.....	55
GSJ100.....	45	G6111.....	48	G4103.....	53	GUB500.....	55
GSJ110.....	45	G907.....	48	G4104.....	53	GUB600.....	55
G606E1.....	45	G908.....	48	G4105.....	53	GUB800.....	55
G606E2.....	45	G909.....	48	G4106.....	53	GUB1000.....	55
G606E3.....	45	G9091.....	48	G4107.....	53	GUB1200.....	55
				G4108.....	53	GUB1400.....	55
				G4109.....	53	GUB1600.....	55
U Fittings		Pipe Roller &		G4110.....	53	GUB1800.....	55
G626.....	46	Trolley Hardware		G4111.....	53	GUB2000.....	55
G6262.....	46	G901.....	49	G4111B.....	53	GUB2400.....	55
G6263.....	46	G902.....	49	G4112.....	53		
G6264.....	46	G903.....	49	G4112B.....	53	Bracket Fittings	
G6265.....	46	G9041.....	49	G4113.....	53	GM601.....	56
G6091.....	46	G9042.....	49	G4113.....	53	GM602.....	56
G6092.....	46	G9043.....	49	G4121.....	53	GM6101.....	56
G6093.....	46	G9044.....	49	G4122.....	53	GM6102.....	56
G6094.....	46	G9045.....	49	G4123.....	53	GM6103.....	56
G6095.....	46	G9046.....	49	G4131.....	53	GM6103.....	56
G6096.....	46	GTR2WH.....	49	G4132.....	53	GM6111.....	56
G6097.....	46	GTR4WH.....	49	G4133.....	53	GM6112.....	56
G618.....	46	GTR4WHU.....	49	G4134.....	53	GM6113.....	56
G6021.....	46			G4142.....	54	GM6114.....	56
G6022.....	46	Post Bases		G4143.....	54	GM6115.....	56
G6023.....	46	G619.....	50	G4144.....	54	GT6251.....	56
G610.....	46	G619FL.....	50	G4145.....	54	GT6252.....	56
G612.....	46	G619SQ.....	50	G4146.....	54	GT6253.....	56
G613.....	46	G619A.....	50	G415.....	54	G605A.....	56
		G619AFL.....	50	G416.....	54	G605L.....	56
Clevis Fittings		G619ASQ.....	50	G4161.....	54	G605R.....	56
G6221.....	47	G621.....	50	G4162.....	54	GT6091.....	57
G6222.....	47	G621A.....	50	G4163.....	54	GT6092.....	57
G6223.....	47	G620.....	51	G4164.....	54	GT6093.....	57
G6224.....	47	G620FL.....	51	G417.....	54	GT6094.....	57
G6225.....	47	G620FL1.....	51	G4171.....	54	GT6181.....	57
G6226.....	47	G620FL2.....	51	G4172.....	54	GT6182.....	57
G6227.....	47	G620SQ.....	51	G4173.....	54	GT6183.....	57
G6228.....	47	G620A.....	51			GT6184.....	57
G623.....	47	G620AFL.....	51	U-Bolts & Bolt		GT6121.....	57
G624.....	47	G620ASQ.....	51	Beam Clamps		GT6122.....	57
G625.....	47	G620ASQ1.....	51	G401.....	55	GT6123.....	57
G905.....	47			G402.....	55	GT6124.....	57
G9051.....	47			G4021.....	55	GT61112.....	57
				G4026.....	55	GT61118.....	57

Item	Page	Item	Page	Item	Page	Item	Page
GT61124.....	57	Brace Fittings		GC111050.....	65	GC111725.....	65
GT61130.....	57	G603.....	61	GC111062.....	65	GC111737.....	65
GT61136.....	57	G6031.....	61	GC111075.....	65	GC111750.....	65
GT61142.....	57	G6032.....	61	GC111087.....	65	GC111762.....	65
GT6101.....	57	G6033.....	61	GC111100.....	65	GC111775.....	65
GT6102.....	57	G6081.....	61	GC111112.....	65	GC111787.....	65
GT6103.....	57	G6082.....	61	GC111125.....	65	GC111800.....	65
GT6104.....	57	G6083.....	61	GC111137.....	65	GC111812.....	65
GT6105.....	57	G6084.....	61	GC111150.....	65	GC111825.....	65
GT613.....	58	G6085.....	61	GC111162.....	65	GC111837.....	65
GT6131.....	58	G6086.....	61	GC111175.....	65	GC111850.....	65
GT614.....	58	G6087.....	61	GC111187.....	65	GC111862.....	65
GT6141.....	58	G6088.....	61	GC111200.....	65	GC111875.....	65
GT615.....	58	GTB6081.....	61	GC111212.....	65	GC111887.....	65
GT616.....	58	GTB6082.....	61	GC111225.....	65	GC111900.....	65
GT6171.....	58	GTB6083.....	61	GC111237.....	65	GC111912.....	65
GT6172.....	58	GTB6084.....	61	GC111250.....	65	GC111925.....	65
		GTB6085.....	61	GC111262.....	65	GC111937.....	65
Shelf Brackets		GTB6086.....	61	GC111275.....	65	GC111950.....	65
GT6191.....	59	GTB6087.....	61	GC111287.....	65	GC111962.....	65
GT6192.....	59	GTB6088.....	61	GC111300.....	65	GC111975.....	65
GT6193.....	59	GTB6089.....	61	GC111312.....	65	GC111987.....	65
GT6194.....	59	GTB60810.....	61	GC111325.....	65	GC1111000.....	65
GT6231.....	59	GTB60811.....	61	GC111337.....	65	GC1111012.....	65
GT6232.....	59			GC111350.....	65	GC1111025.....	65
GT6233.....	59	Conduit Clamps		GC111362.....	65	GC1111037.....	65
GT6206L.....	59	GC110050ASM... 64		GC111375.....	65	GC1111050.....	65
GT6206R.....	59	GC110075ASM... 64		GC111387.....	65	GC1111062.....	65
GT6208L.....	59	GC110100ASM... 64		GC111400.....	65	GC1111075.....	65
GT6208R.....	59	GC110125ASM... 64		GC111412.....	65	GC1111087.....	65
GT62010L.....	59	GC110150ASM... 64		GC111425.....	65		
GT62010R.....	59	GC110200ASM... 64		GC111437.....	65	Cushion Clamps	
GT62112L.....	60	GC112050ASM... 64		GC111450.....	65	GC1025.....	66
GT62112R.....	60	GC112075ASM... 64		GC111462.....	65	GC1037.....	66
GT62114L.....	60	GC112100ASM... 64		GC111475.....	65	GC1050.....	66
GT62114R.....	60	GC112125ASM... 64		GC111487.....	65	GC1062.....	66
GT62116L.....	60	GC112150ASM... 64		GC111500.....	65	GC1075.....	66
GT62116R.....	60	GC112200ASM... 64		GC111512.....	65	GC1087.....	66
GT62118L.....	60	GC112250ASM... 64		GC111525.....	65	GC1100.....	66
GT62118R.....	60	GC112300ASM... 64		GC111537.....	65	GC1112.....	66
GT62120L.....	60	GC112350ASM... 64		GC111550.....	65	GC1125.....	66
GT62120R.....	60	GC112400ASM... 64		GC111562.....	65	GC1137.....	66
GT62122L.....	60	GC112500ASM... 64		GC111575.....	65	GC1150.....	66
GT62122R.....	60	GC112600ASM... 64		GC111587.....	65	GC1162.....	66
GT62224L.....	60	GC112800ASM... 64		GC111600.....	65	GC1175.....	66
GT62224R.....	60	GC1121000ASM. 64		GC111612.....	65	GC1187.....	66
GT62226L.....	60	GC114050ASM... 64		GC111625.....	65	GC1200.....	66
GT62226R.....	60	GC114075ASM... 64		GC111637.....	65	GC1212.....	66
GT62228L.....	60	GC114100ASM... 64		GC111650.....	65	GC1237.....	66
GT62228R.....	60	GC114125ASM... 64		GC111662.....	65	GC1262.....	66
GT62230L.....	60	GC114150ASM... 64		GC111675.....	65	GC1300.....	66
GT62230R.....	60	GC114200ASM... 64		GC111687.....	65	GC1312.....	66
		GC111025.....	65	GC111700.....	65	GC1362.....	66
		GC111037.....	65	GC111712.....	65	GC1412.....	66

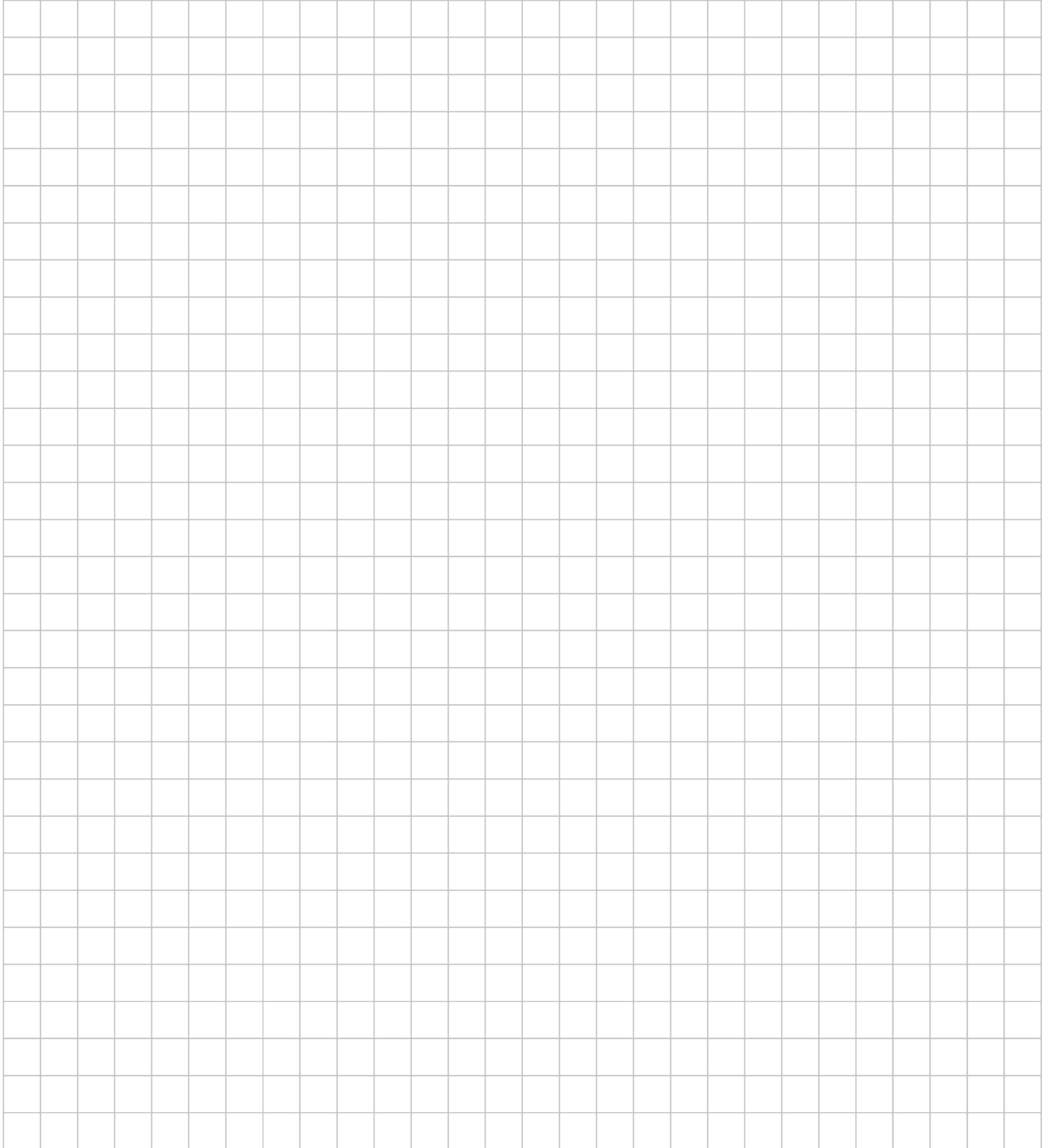
Notes

G-STRUT



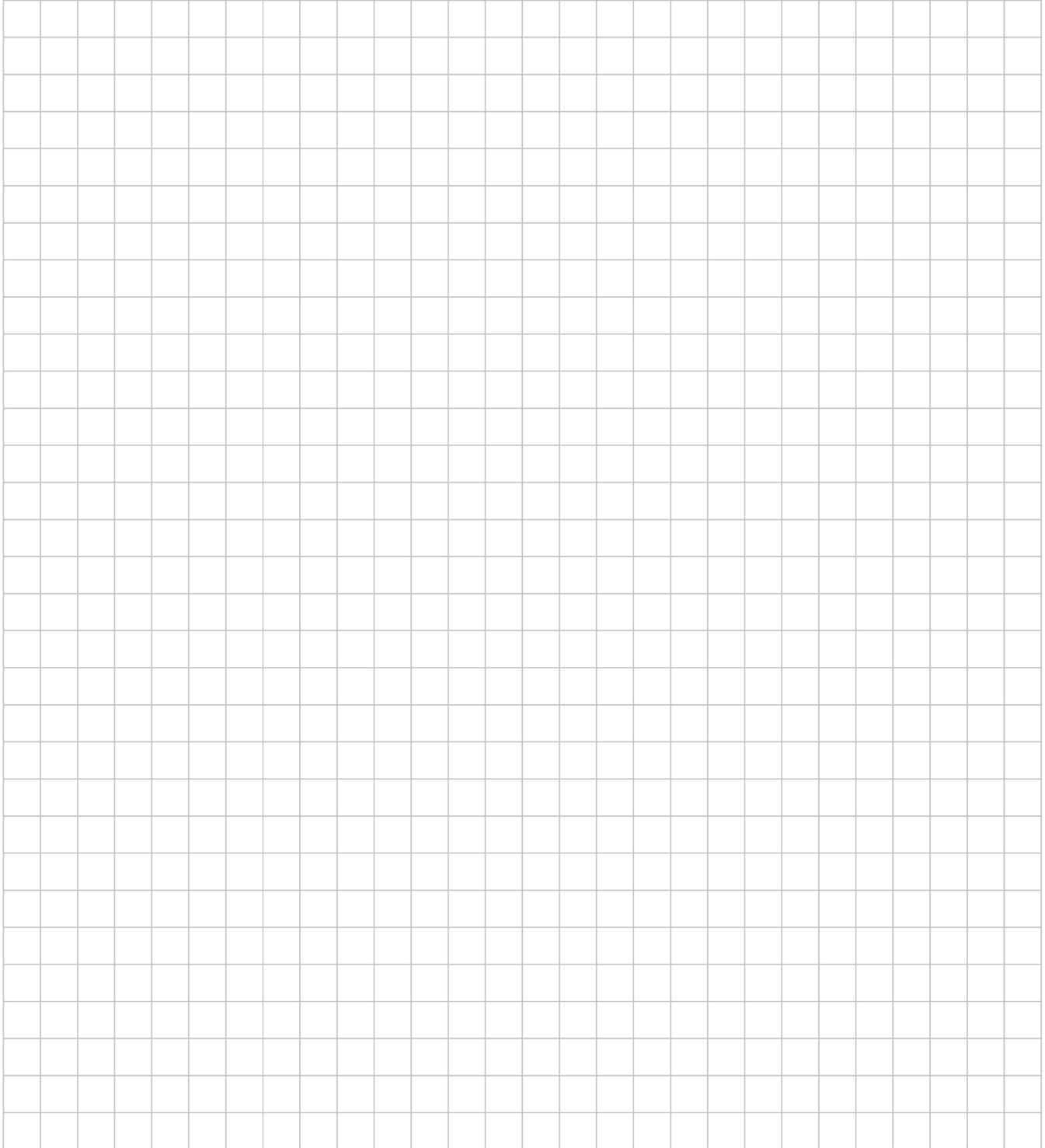
Notes

G-STRUT



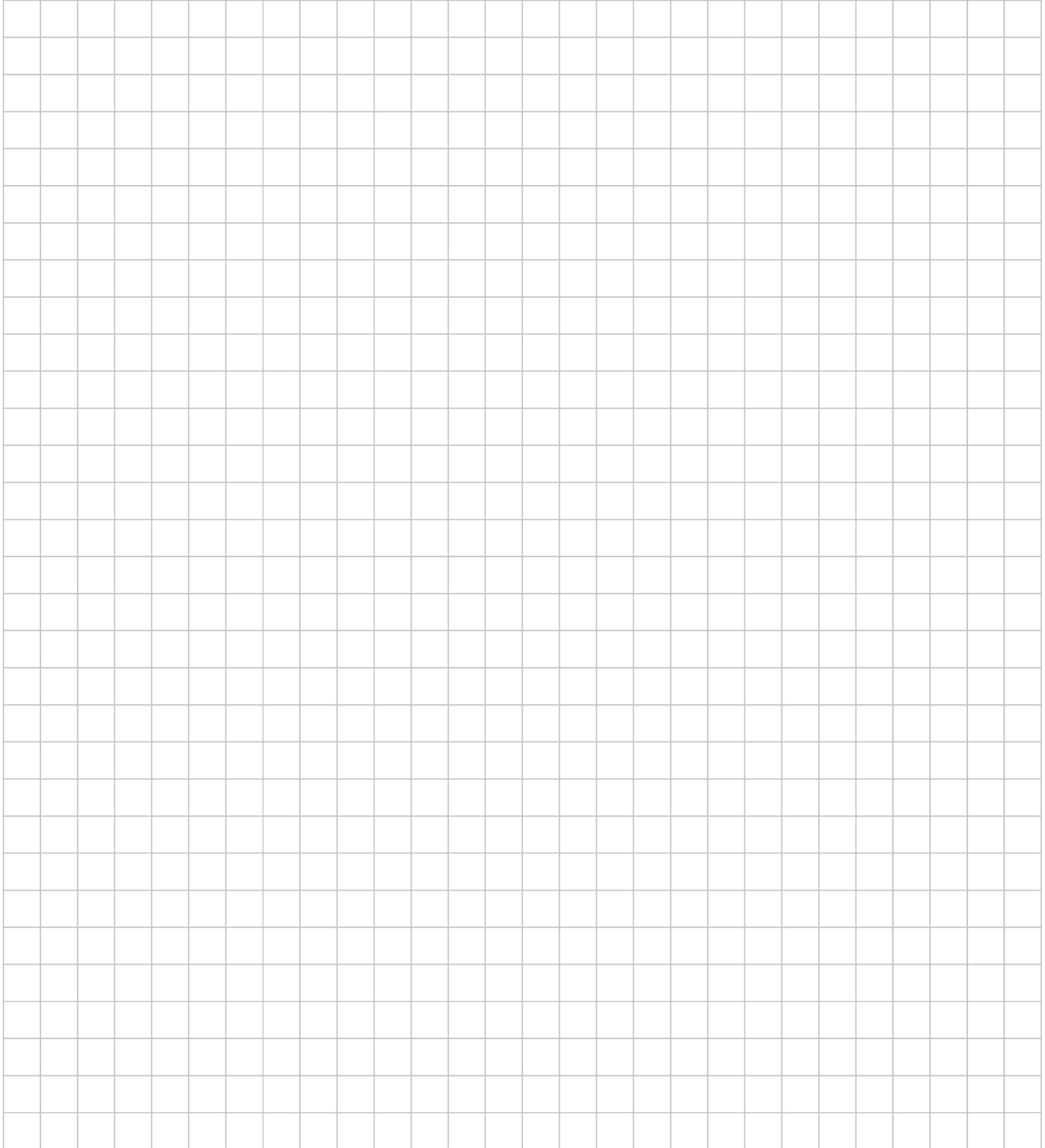
Notes

G-STRUT



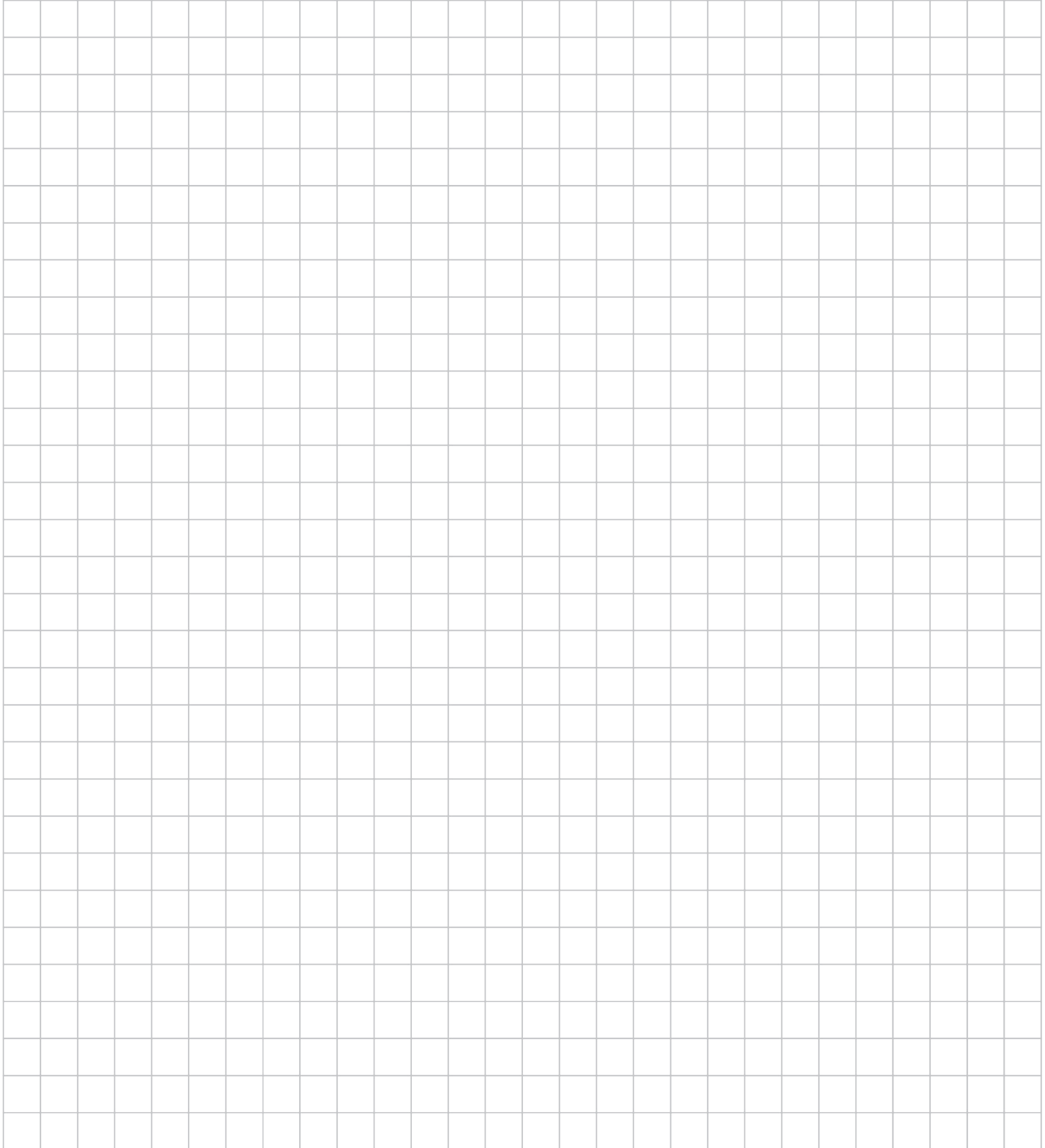
Notes

G-STRUT



Notes

G-STRUT



Notes

G-STRUT

